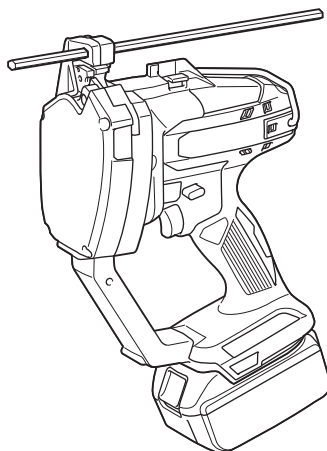
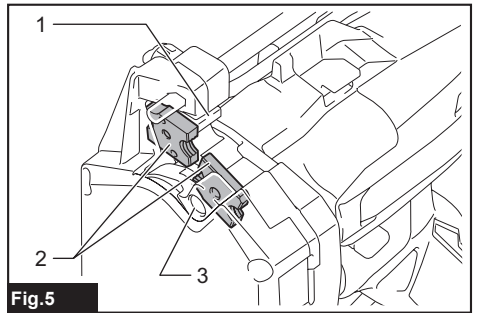
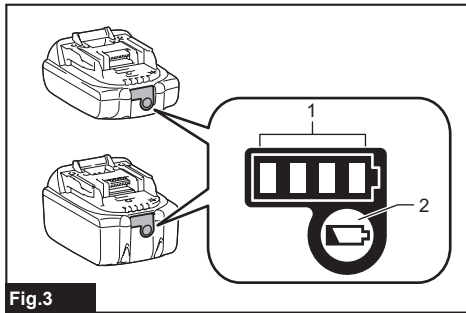
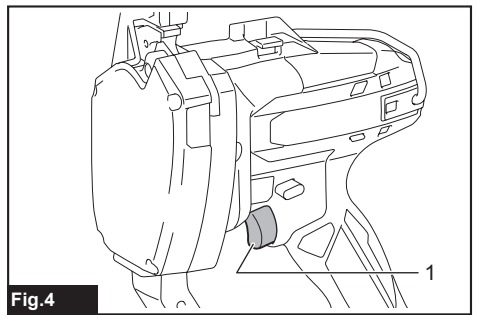
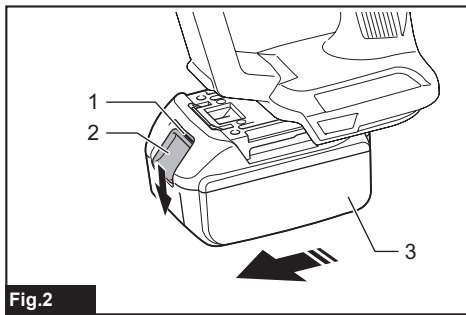
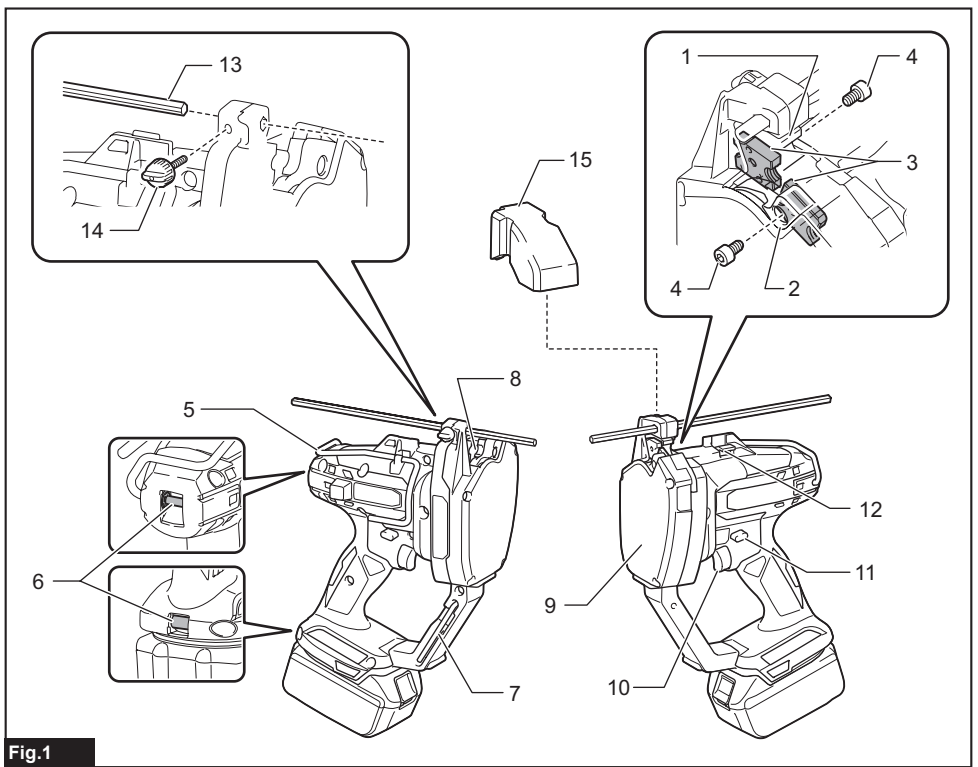


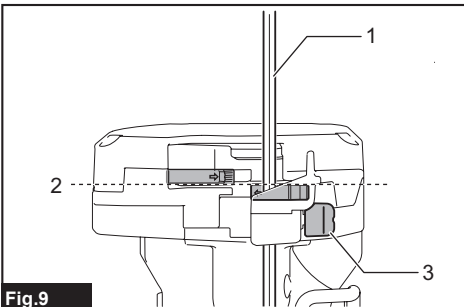
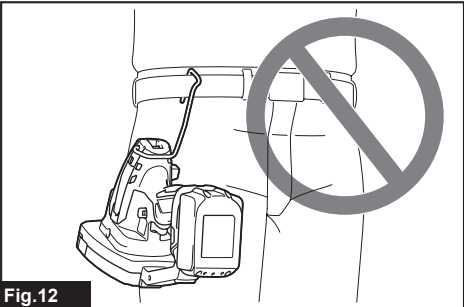
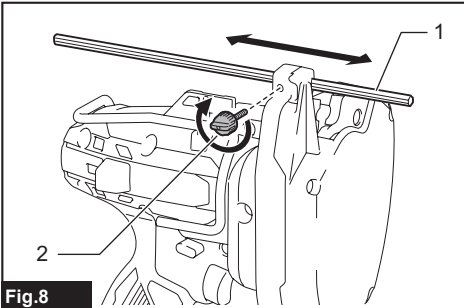
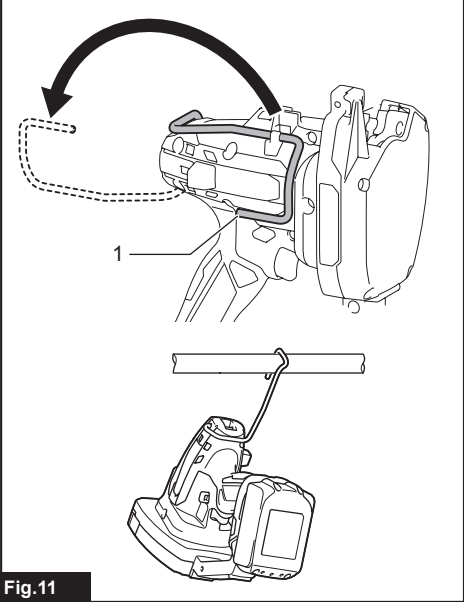
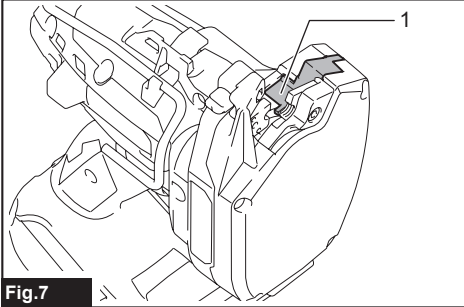
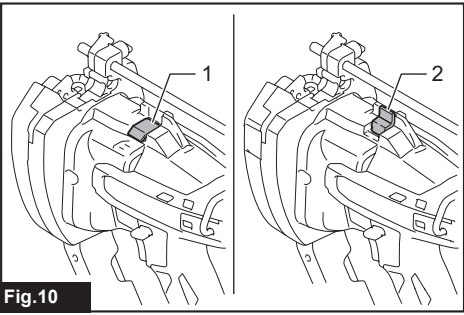
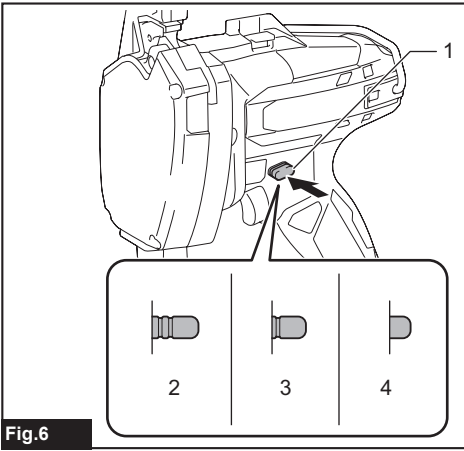


<b>EN</b>	Cordless Threaded Rod Cutter	<b>INSTRUCTION MANUAL</b>	<b>7</b>
<b>SV</b>	Batteridrivnen gängstångskap	<b>BRUKSANVISNING</b>	<b>14</b>
<b>NO</b>	Batteridreven kapper for gjengede stenger	<b>BRUKSANVISNING</b>	<b>21</b>
<b>FI</b>	Akkukäyttöinen kierretankoleikkuri	<b>KÄYTTÖOHJE</b>	<b>28</b>
<b>LV</b>	Vītņotu stieņu bezvada griezējs	<b>LIETOŠANAS INSTRUKCIJA</b>	<b>35</b>
<b>LT</b>	Belaidis sriegiuotų strypų pjaustytuvas	<b>NAUDOJIMO INSTRUKCIJA</b>	<b>42</b>
<b>ET</b>	Juhtmeta keermestatud varraste lõikur	<b>KASUTUSJUHEND</b>	<b>49</b>
<b>RU</b>	Аккумуляторный Резчик Резьбовых Шпилек	<b>РУКОВОДСТВО ПО ЭКСПЛУАТАЦИИ</b>	<b>56</b>

## DSC102







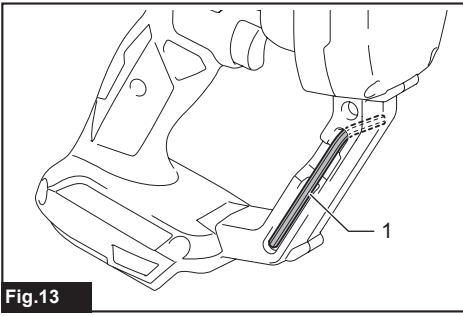


Fig.13

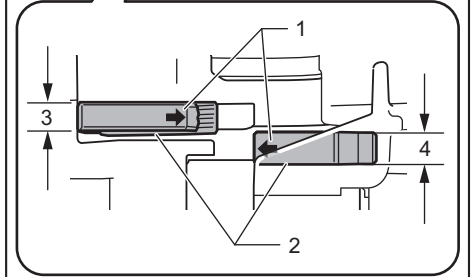
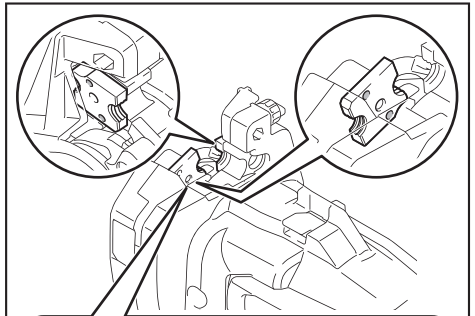


Fig.17

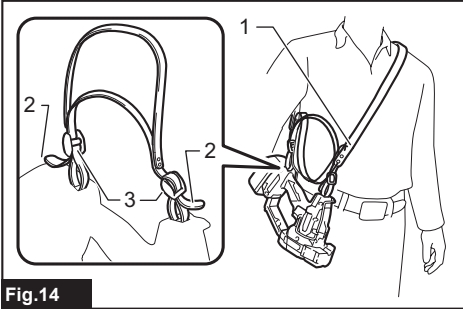


Fig.14

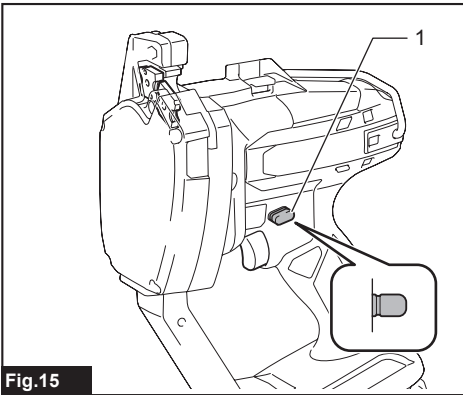


Fig.15

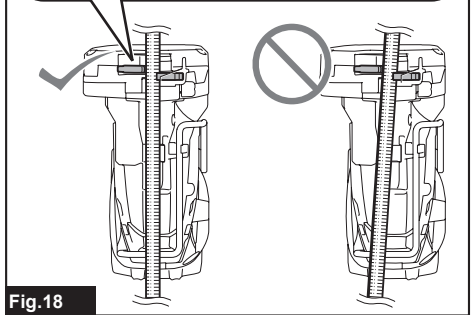
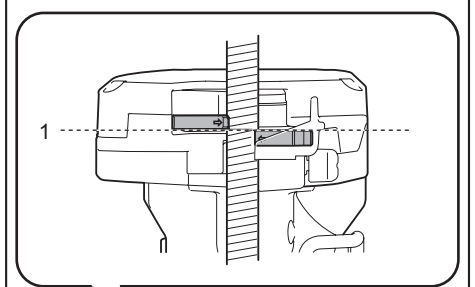


Fig.18

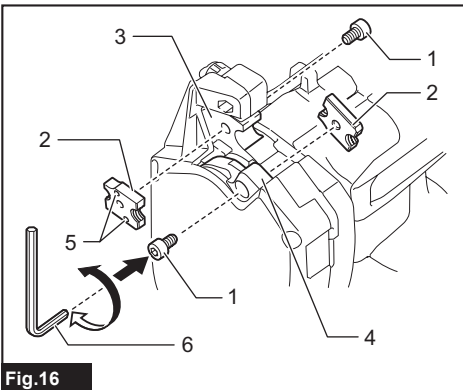


Fig.16

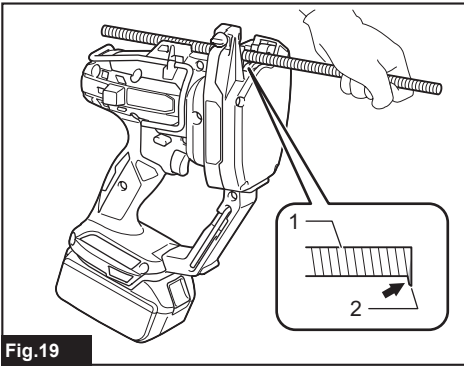


Fig. 19

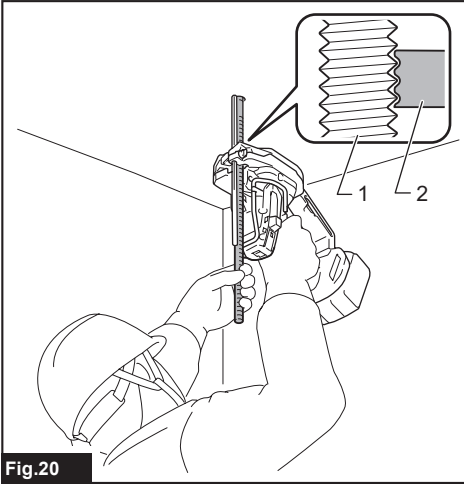


Fig. 20

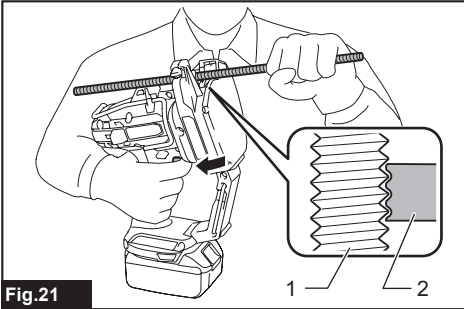


Fig. 21

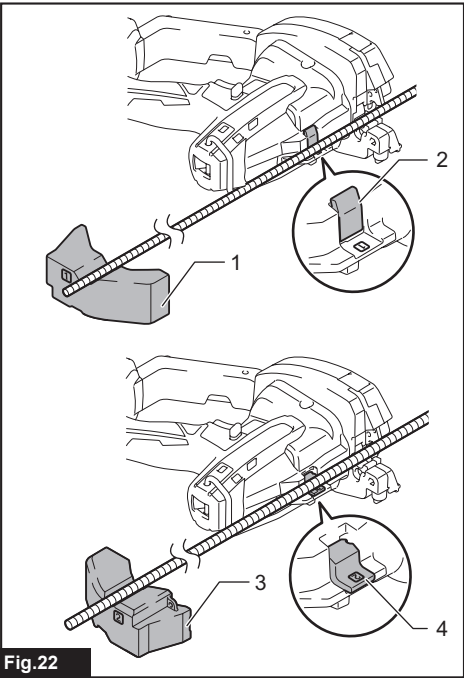


Fig. 22

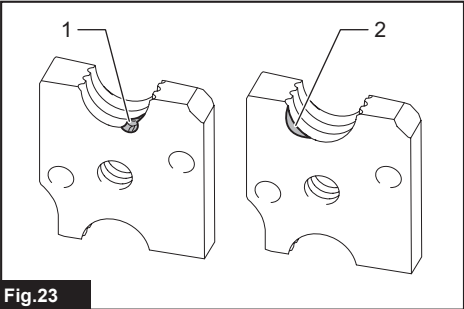


Fig. 23

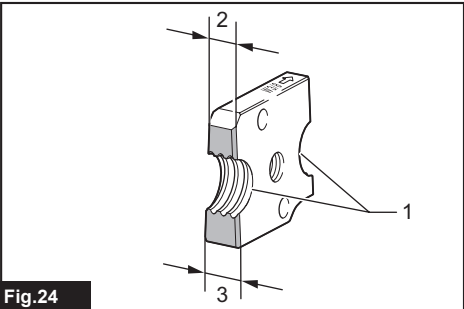
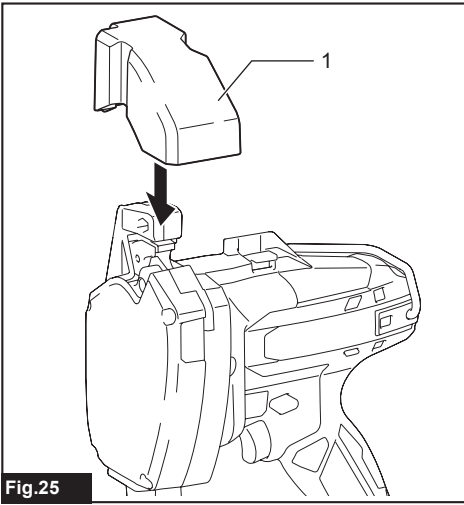


Fig. 24



**Fig.25**

# SPECIFICATIONS

<b>Model:</b>		<b>DSC102</b>
Cutting capacities	Mild steel	W3/8, M10, M8, M6
	Stainless steel	W3/8, M8, M6
Overall length	199 mm	
Rated voltage	D.C. 18 V D.C. 14.4 V	
Net weight	2.8 - 3.2 kg	

- Due to our continuing program of research and development, the specifications herein are subject to change without notice.
- Specifications may differ from country to country.
- The weight may differ depending on the attachment(s), including the battery cartridge. The lightest and heaviest combination, according to EPTA-Procedure 01/2014, are shown in the table.

## Applicable battery cartridge and charger

Battery cartridge	D.C.14.4 V Model	BL1415N / BL1430 / BL1430B / BL1440 / BL1450 / BL1460B
	D.C.18 V Model	BL1815N / BL1820 / BL1820B / BL1830 / BL1830B / BL1840 / BL1840B / BL1850 / BL1850B / BL1860B
Charger	DC18RC / DC18RD / DC18RE / DC18SD / DC18SE / DC18SF	

- Some of the battery cartridges and chargers listed above may not be available depending on your region of residence.

**⚠ WARNING: Only use the battery cartridges and chargers listed above.** Use of any other battery cartridges and chargers may cause injury and/or fire.

## Symbols

The following show the symbols used for the equipment. Be sure that you understand their meaning before use.

	Read instruction manual.
	Wear safety glasses.
	Do not touch the cutting dice during operation.
	Pay attention to a cut threaded rod.
	Do not close your face to the tool during operation.
	Only for EU countries Do not dispose of electric equipment or battery pack together with household waste material! In observance of the European Directives, on Waste Electric and Electronic Equipment and Batteries and Accumulators and Waste Batteries and Accumulators and their implementation in accordance with national laws, electric equipment and batteries and battery pack(s) that have reached the end of their life must be collected separately and returned to an environmentally compatible recycling facility.

## Intended use

The tool is intended for cutting threaded rods.

## Noise

The typical A-weighted noise level determined according to EN62841:

Sound pressure level ( $L_{pA}$ ): 71 dB(A)

Uncertainty (K): 3 dB(A)

The noise level under working may exceed 80 dB (A).

**⚠ WARNING: Wear ear protection.**

## Vibration

The vibration total value (tri-axial vector sum) determined according to EN62841:

Work mode: cutting threaded stainless steel rod (rod size W3/8)

Vibration emission ( $a_h$ ): 2.5  $m/s^2$  or less

Uncertainty (K): 1.5  $m/s^2$

**NOTE:** The declared vibration emission value has been measured in accordance with the standard test method and may be used for comparing one tool with another.

**NOTE:** The declared vibration emission value may also be used in a preliminary assessment of exposure.

**⚠️WARNING:** The vibration emission during actual use of the power tool can differ from the declared emission value depending on the ways in which the tool is used.

**⚠️WARNING:** Be sure to identify safety measures to protect the operator that are based on an estimation of exposure in the actual conditions of use (taking account of all parts of the operating cycle such as the times when the tool is switched off and when it is running idle in addition to the trigger time).

## EC Declaration of Conformity

### For European countries only

The EC declaration of conformity is included as Annex A to this instruction manual.

# SAFETY WARNINGS

## General power tool safety warnings

**⚠️WARNING:** Read all safety warnings, instructions, illustrations and specifications provided with this power tool. Failure to follow all instructions listed below may result in electric shock, fire and/or serious injury.

## Save all warnings and instructions for future reference.

The term "power tool" in the warnings refers to your mains-operated (corded) power tool or battery-operated (cordless) power tool.

## Cordless threaded rod cutter safety warnings

1. **Hold the tool firmly.**
2. **Secure the workpiece firmly.**
3. **Keep your face and hands away from moving parts.** During cutting, the fraction of the threaded rod may fly off.
4. **Always wear gloves when handling threaded rods.** Edges and chips of the workpiece are sharp.
5. **Do not put the tool on the chips of the workpiece. Otherwise it can cause damage and trouble on the tool.**
6. **Always be sure you have a firm footing. Be sure no one is below when using the tool in high locations.**
7. **Do not touch the cutting edge or the workpiece immediately after operation; they may be extremely hot and could burn your skin.**
8. **Avoid cutting electrical wires. It can cause serious accident by electric shock.**
9. **Always hold the threaded rod during and after cutting to prevent the cut threaded rod from falling off.** A cut threaded rod may cause serious personal injury if fallen off from a high location.

10. **Keep a safe distance between your body and the moving parts. Do not operate the tool if the working area is too narrow to keep a safe distance.**
11. **Never leave the tool on a high location or a potentially unstable surface.**

## SAVE THESE INSTRUCTIONS.

**⚠️WARNING:** DO NOT let comfort or familiarity with product (gained from repeated use) replace strict adherence to safety rules for the subject product.

MISUSE or failure to follow the safety rules stated in this instruction manual may cause serious personal injury.

## Important safety instructions for battery cartridge

1. **Before using battery cartridge, read all instructions and cautionary markings on (1) battery charger, (2) battery, and (3) product using battery.**
2. **Do not disassemble battery cartridge.**
3. **If operating time has become excessively shorter, stop operating immediately. It may result in a risk of overheating, possible burns and even an explosion.**
4. **If electrolyte gets into your eyes, rinse them out with clear water and seek medical attention right away. It may result in loss of your eyesight.**
5. **Do not short the battery cartridge:**
  - (1) **Do not touch the terminals with any conductive material.**
  - (2) **Avoid storing battery cartridge in a container with other metal objects such as nails, coins, etc.**
  - (3) **Do not expose battery cartridge to water or rain.**

A battery short can cause a large current flow, overheating, possible burns and even a breakdown.

6. **Do not store the tool and battery cartridge in locations where the temperature may reach or exceed 50 °C (122 °F).**
7. **Do not incinerate the battery cartridge even if it is severely damaged or is completely worn out. The battery cartridge can explode in a fire.**
8. **Be careful not to drop or strike battery.**
9. **Do not use a damaged battery.**
10. **The contained lithium-ion batteries are subject to the Dangerous Goods Legislation requirements.**

For commercial transports e.g. by third parties, forwarding agents, special requirement on packaging and labeling must be observed. For preparation of the item being shipped, consulting an expert for hazardous material is required. Please also observe possibly more detailed national regulations.

Tape or mask off open contacts and pack up the battery in such a manner that it cannot move around in the packaging.



11. Follow your local regulations relating to disposal of battery.
12. Use the batteries only with the products specified by Makita. Installing the batteries to non-compliant products may result in a fire, excessive heat, explosion, or leak of electrolyte.

## SAVE THESE INSTRUCTIONS.

**⚠ CAUTION:** Only use genuine Makita batteries. Use of non-genuine Makita batteries, or batteries that have been altered, may result in the battery bursting causing fires, personal injury and damage. It will also void the Makita warranty for the Makita tool and charger.

## Tips for maintaining maximum battery life

1. Charge the battery cartridge before completely discharged. Always stop tool operation and charge the battery cartridge when you notice less tool power.
2. Never recharge a fully charged battery cartridge. Overcharging shortens the battery service life.
3. Charge the battery cartridge with room temperature at 10 °C - 40 °C (50 °F - 104 °F). Let a hot battery cartridge cool down before charging it.
4. Charge the battery cartridge if you do not use it for a long period (more than six months).

## PARTS DESCRIPTION

► Fig.1

1	Stationary mount	2	Movable mount	3	Cutting die	4	Bolt
5	Hook	6	Shoulder strap base (for optional accessory)	7	Hex Wrench	8	Lamp (inside)
9	Front face	10	Switch trigger	11	Reversing switch lever	12	Rod guide
13	Guide scale	14	Clamping screw	15	Cover	-	-

## FUNCTIONAL DESCRIPTION

**⚠ CAUTION:** Always be sure that the tool is switched off and the battery cartridge is removed before adjusting or checking function on the tool.

### Installing or removing battery cartridge

**⚠ CAUTION:** Always switch off the tool before installing or removing of the battery cartridge.

**⚠ CAUTION:** Hold the tool and the battery cartridge firmly when installing or removing battery cartridge. Failure to hold the tool and the battery cartridge firmly may cause them to slip off your hands and result in damage to the tool and battery cartridge and a personal injury.

► Fig.2: 1. Red indicator 2. Button 3. Battery cartridge

To remove the battery cartridge, slide it from the tool while sliding the button on the front of the cartridge.

To install the battery cartridge, align the tongue on the battery cartridge with the groove in the housing and slip it into place. Insert it all the way until it locks in place with a little click. If you can see the red indicator on the upper side of the button, it is not locked completely.

**⚠ CAUTION:** Always install the battery cartridge fully until the red indicator cannot be seen. If not, it may accidentally fall out of the tool, causing injury to you or someone around you.

**⚠ CAUTION:** Do not install the battery cartridge forcibly. If the cartridge does not slide in easily, it is not being inserted correctly.

### Tool / battery protection system

The tool is equipped with a tool/battery protection system. This system automatically cuts off power to the motor to extend tool and battery life. The tool will automatically stop during operation if the tool or battery is placed under one of the following conditions.

### Overload protection

When the tool is operated in a manner that causes it to draw an abnormally high current, the tool automatically stops without any indication. In this situation, turn the tool off and stop the application that caused the tool to become overloaded. Then turn the tool on to restart.

**NOTE:** Overload protection activates when you try to cut the following kinds of threaded rods.

- A threaded rod which is larger than the cutting dice size.
- A threaded rod which is harder than the cutting capacity of the cutting dice.

## Overheat protection

When the tool is overheated, the tool automatically stops and the LED light will blink. Let the tool cool down before turning the tool on again.

## Overdischarge protection
















When the battery capacity becomes low, the tool stops automatically. If the product does not operate even when the switches are operated, remove the batteries from the tool and charge the batteries.

## Indicating the remaining battery capacity

**Only for battery cartridges with the indicator**

► **Fig.3:** 1. Indicator lamps 2. Check button

Press the check button on the battery cartridge to indicate the remaining battery capacity. The indicator lamps light up for a few seconds.

Indicator lamps			Remaining capacity
 Lighted	 Off	 Blinking	
			75% to 100%
			50% to 75%
			25% to 50%
			0% to 25%
			Charge the battery.
 ↑ ↓			The battery may have malfunctioned.

**NOTE:** Depending on the conditions of use and the ambient temperature, the indication may differ slightly from the actual capacity.

## Switch action

**CAUTION:** Before installing the battery cartridge into the tool, always check to see that the switch trigger actuates properly and returns to the "OFF" position when released.

To start the cutting operation, continue to pull the switch trigger. The cutting die on the movable mount will overlap with the die on the stationary mount and then returns. If you release the switch trigger before completing the cut, the cutting dice will stop.

► **Fig.4:** 1. Switch trigger

► **Fig.5:** 1. Stationary mount 2. Cutting die 3. Movable mount

**NOTICE:** Do not operate the tool at no-load unnecessarily.

## Auto-stop function

When you continue to pull the switch trigger, the jaw of the dice once closes and returns to fully opened position then stops. Release the trigger and pull it again to begin the next cutting sequence.

## Reversing switch lever

**WARNING:** When not operating the tool, always set the reversing switch lever to the lock position.

**CAUTION:** Always make sure the position of the reversing switch lever before operating.

**NOTICE:** Do not move the reversing switch lever when the switch trigger is being pulled. This may cause a damage to the tool.

To start the cutting operation, set the reversing switch lever to cutting position.

To reverse the cutting sequence, set the reversing switch lever to the reversing position. When you continue to pull the switch trigger, the jaw of the cutting dice opens and stops at fully opened position.

To lock the switch trigger, set the reversing switch lever to the lock position. The switch trigger cannot be pulled in this position.

► **Fig.6:** 1. Reversing switch lever 2. Cutting position 3. Lock position 4. Reversing position

**NOTICE:** When the reversing switch lever is in the reversing position, run the tool only as needed. To prevent the damage to the tool, the tool will automatically stops when it is run in the reversing position continuously.

**NOTE:** After cutting, if you release the switch trigger while the jaw of the cutting dice is opening and then set the reversing switch lever to the reversing position, the jaw will once close and then open when you pull the switch trigger again.

## LED light

**CAUTION:** Do not look in the light or see the source of light directly.

Pull the switch trigger to light up the lamp. The lamp keeps on lighting while the switch trigger is being pulled. The lamp goes out approximately 15 seconds after releasing the switch trigger.

► **Fig.7:** 1. Lamp (inside)

**NOTE:** Use a dry cloth to wipe the dirt off the lens of the lamp. Be careful not to scratch the lens of lamp, or it may lower the illumination.

**NOTE:** When the tool is overheated, the lamp will blink. Let the tool cool down in this case.

## Guide scale

Use the guide scale if you wish to cut threaded rods in the same length. Insert the guide scale into the hole as shown in the figure.

► **Fig.8:** 1. Guide scale 2. Clamping screw

Align the value of your desired length on the guide scale with the cutting line. Then tighten the clamping screw.

► **Fig.9:** 1. Guide scale 2. Cutting line 3. Clamping screw

**CAUTION:** Do not hold the guide scale to carry or handle the tool. The tool may fall off and cause personal injury and/or damage to the tool.

## Rod guide

For a precise cutting, set the rod guide in position depending on the diameter of the threaded rod to be cut.

► **Fig.10:** 1. Rod guide (Position 1) 2. Rod guide (Position 2)

There are two rod guide positions.

Position	Size of threaded rod
1	W3/8, M10
2	M8, M6

## Hook

**CAUTION:** Never hook the tool on a windy location or a potentially unstable surface.

**CAUTION:** Do not use the hook when it is deformed or damaged.

**CAUTION:** When not operating the tool, always fold the hook.

The hook is convenient for hanging the tool temporarily.

► **Fig.11:** 1. Hook

**CAUTION:** Do not hang the hook from the waist belt. It may result in personal injuries and/or damage to the tool if dropped.

► **Fig.12**

## Hex wrench storage

When not in use, store the hex wrench as shown in the figure to keep it from being lost.

► **Fig.13:** 1. Hex wrench

## Shoulder strap

### Optional accessory

Shoulder strap is useful for carrying the tool.

► **Fig.14:** 1. Shoulder strap 2. Belt end 3. Buckle

**CAUTION:** Always wear the shoulder strap crossed over your body and adjusted in proper length.

**CAUTION:** Do not use the shoulder strap if it is damaged.

**CAUTION:** Leave an sufficient length between the buckle and belt end to prevent the belt end from slipping through the buckle.

## ASSEMBLY

**CAUTION:** Always be sure that the tool is switched off and the battery cartridge is removed before carrying out any work on the tool.

### Installing the cutting dice

**CAUTION:** Always install the cutting dice in the correct directions and secured firmly. Incorrect or loose attachment may cause breakage of the cutting dice, resulting personal injury by flown off fractions.

**NOTICE:** Remove the burr on the cutting dice using a file if any.

1. Check if the jaw of the cutting dice is fully opened. If not, install the battery and pull the switch trigger until the jaw is fully opened.

**CAUTION:** Be sure to remove the battery cartridge if you installed.

2. Set the reversing switch lever to the lock position.  
► **Fig.15:** 1. Reversing switch lever

3. Unscrew the bolts with the supplied hex wrench.

**CAUTION:** Use only the Makita wrench provided with the tool. Using other wrenches may result in overtightening or insufficient tightening which causes personal injury.

4. Set the cutting dice onto the mounts so that the two colored markings can be seen.

► **Fig.16:** 1. Bolt 2. Cutting die 3. Stationary mount  
4. Movable mount 5. Colored marking  
6. Hex wrench

5. Secure the cutting dice with the bolts firmly.

The cutting dice are correctly installed if the arrows on them point each other. The dimensions of the cutting dice are the same but their thickness look different when seen from above.

► **Fig.17:** 1. Arrow 2. Cutting die 3. Thin side 4. Thick side

# OPERATION

**CAUTION:** Make sure that the correct size of the cutting dice are installed to the tool. Check the cutting capacity written on the the cutting dice before cutting.

**CAUTION:** Before pulling the switch trigger, be sure to set the threaded rod so that its thread fits with those of cutting dice. Incorrect alignment of the threads may break the cutting dice and cause personal injury by flown off fractions.

**CAUTION:** Replace the cutting dice if the cutting edge is chipped or deformed.

When cutting, place the threaded rod perpendicular to the cutting line as shown in the figure.

► **Fig.18:** 1. Cutting line

**NOTE:** When cutting a threaded rod made of ductile metal such as stainless steel, burrs may be generated on the cut end. Remove burrs with a file in this case.

► **Fig.19:** 1. Threaded rod 2. Burr

## Cutting secured threaded rods

When cutting a threaded rod which is secured to the building structure such as the ceiling, wall, floor, etc., follow the procedure below :

► **Fig.20:** 1. Threaded rod 2. Cutting die on the stationary mount

1. Bring the tool so that the threaded rod is positioned between the cutting dice.
2. While the threaded rod contacting with the rod guide, fit the thread of the rod with that of the cutting die on the stationary mount.
3. Pull and hold the switch trigger until the cutting is finished and the jaw of the cutting dice comes to fully opened position.

**NOTICE:** Clean the front face of the tool and the tip of the guide scale before operation. They may dirty the contacting surface.

## Cutting loose threaded rods

When cutting a loose threaded rod on the floor or a work table, follow the procedure below :

► **Fig.21:** 1. Threaded rod 2. Cutting die on the stationary mount

1. Position a threaded rod between the cutting dice.
2. While the threaded rod contacting with the rod guide, fit the thread of the rod with that of the cutting die on the stationary mount.
3. Pull and hold the switch trigger until the cutting is finished and the jaw of the cutting dice comes to fully opened position.

When cutting a long threaded rod which is hard to hold by hand, place the tool as illustrated. The tool can be placed flat. The cover also can be used for supporting the end of the threaded rod.

► **Fig.22:** 1. Cover (Position 1) 2. Rod guide (Position 1) 3. Cover (Position 2) 4. Rod guide (Position 2)

The cover has markings to indicate its position. Depending on the size of the threaded rod, put the cover in the position as shown in the table as well as the rod guide.

Position	Size of threaded rod
1	W3/8, M10
2	M8, M6

## Quitting the cutting in the middle

**CAUTION:** Never try to pull out the tool forcibly from the threaded rod. It may cause unexpected start up which cause personal injury or damage to the cutting dice and tool.

When quitting the cutting in the middle, set the reversing switch lever to the reversing position and pull the switch trigger until the threaded rod is completely released from the cutting dice.

# MAINTENANCE

**CAUTION:** Always be sure that the tool is switched off and the battery cartridge is removed before attempting to perform inspection or maintenance.

**NOTICE:** Never use gasoline, benzine, thinner, alcohol or the like. Discoloration, deformation or cracks may result.

## Replacing the cutting dice

**NOTICE:** Replace the both cutting dice at the same time. Replacing the one side of the cutting die may generate burr on the threaded rod.

Replace the cutting dice when it is chipped, deformed, or the cutting gets dull. To replace, follow the instructions in "Installing the cutting dice".

► **Fig.23:** 1. Chipping 2. Deformation

One cutting die has two cutting edges and thick side and thin side. Switch the installation positions of the cutting dice if you have not used the other sides of the cutting edges.

► **Fig.24:** 1. Cutting edge 2. Thin side 3. Thick side

## Carrying/storing the tool

**⚠ CAUTION:** When the tool is not used, always attach the supplied cover to the cutting portion.

Attach the cover when carrying the tool.

When storing the tool, remove the battery cartridge and the guide scale from the tool. Clean dust on the cutting dice and the moving part. After that, attach the cover.

► **Fig.25:** 1. Cover

To maintain product SAFETY and RELIABILITY, repairs, any other maintenance or adjustment should be performed by Makita Authorized or Factory Service Centers, always using Makita replacement parts.

## OPTIONAL ACCESSORIES

**⚠ CAUTION:** These accessories or attachments are recommended for use with your Makita tool specified in this manual. The use of any other accessories or attachments might present a risk of injury to persons. Only use accessory or attachment for its stated purpose.

If you need any assistance for more details regarding these accessories, ask your local Makita Service Center.

- Cutting dice
- Shoulder strap
- Makita genuine battery and charger

**NOTE:** Some items in the list may be included in the tool package as standard accessories. They may differ from country to country.

## SPECIFIKATIONER

Modell:		DSC102
Kapningskapacitet	Mjukt stål	W3/8, M10, M8, M6
	Rostfritt stål	W3/8, M8, M6
Total längd		199 mm
Märkspänning		18 V likström 14,4 V likström
Nettovikt		2,8 - 3,2 kg

- På grund av vårt pågående program för forskning och utveckling kan dessa specifikationer ändras utan föregående meddelande.
- Specifikationer kan variera mellan olika länder.
- Vikten kan variera beroende på tillbehören, inklusive batterikassett. Den lättaste och den tyngsta kombinationen enligt EPTA-procedur 01/2014 visas i tabellen.

## Tillgänglig batterikassett och laddare

Batterikassett	14,4 V likströmsmodell	BL1415N / BL1430 / BL1430B / BL1440 / BL1450 / BL1460B
	18 V likströmsmodell	BL1815N / BL1820 / BL1820B / BL1830 / BL1830B / BL1840 / BL1840B / BL1850 / BL1850B / BL1860B
Laddare		DC18RC / DC18RD / DC18RE / DC18SD / DC18SE / DC18SF

- Vissa av batterikassetterna och laddarna på listan ovan kanske inte finns tillgängliga i din region.

**⚠ VARNING: Använd endast batterikassetter och laddare från listan ovan.** Användning av andra batterikassetter och laddare kan orsaka personskada och/eller brand.

## Symboler

Följande visar symbolerna som används för utrustningen. Se till att du förstår innebörden innan du använder bormaskinen.



Läs igenom bruksanvisningen.



Använd skyddsglasögon.



Vidrör inte kapmatriserna under användning.



Var uppmärksam när du kapar en gängad stång.



Ha inte bort ansiktet för nära verktyget under användning.



Gäller endast inom EU  
Elektrisk utrustning eller batteripaket får inte kastas i hushållsavfallet!  
Enligt EU-direktiven som avser förbrukad elektrisk och elektronisk utrustning, batterier, ackumulatörer, förbrukade batterier och ackumulatörer, samt direktivens tillämpning enligt nationell lagstiftning, ska uttjänt elektrisk utrustning, batterier och batteripaket sorteras separat och lämnas till miljövänlig återvinning.

## Avsedd användning

Verktyget är avsett för att kapa gängade stänger.

## Buller

Den normala bullernivån för A-belastning är bestämd enligt EN62841:

Ljudtrycksnivå ( $L_{pA}$ ): 71 dB (A)

Måttolerans (K): 3 dB (A)

Bullernivån vid arbete kan överstiga 80 dB (A).

**⚠ VARNING: Använd hörselskydd.**

## Vibration

Det totala vibrationsvärdet (treaxlad vektorsumma) bestämt enligt EN62841:

Arbetsläge: kapa gängad rostfri stålstång (stångstorlek W3/8)

Vibrationsemission ( $a_{h1}$ ): 2,5 m/s<sup>2</sup> eller lägre

Måttolerans (K): 1,5 m/s<sup>2</sup>

**OBS:** Det deklarerade vibrationsemissionsvärdet har uppmätts i enlighet med standardtestmetoden och kan användas för att jämföra en maskin med en annan.

**OBS:** Det deklarerade vibrationsemissionsvärdet kan också användas i en preliminär bedömning av exponering för vibration.

**⚠ VARNING:** Vibrationsemissionen under faktisk användning av maskinen kan skilja sig från det deklarerade emissionsvärdet, beroende på hur maskinen används.

**⚠ VARNING:** Var noga med att identifiera säkerhetsåtgärder för att skydda användaren, vilka är grundade på en uppskattning av graden av exponering för vibrationer under de faktiska användningsförhållandena, (ta, förutom avtryckartiden, med alla delar av användarcykeln i beräkningen, som till exempel tiden då maskinen är avstängd och när den går på tomgång).

## EG-försäkran om överensstämmelse

### Gäller endast inom EU

EG-försäkran om överensstämmelse inkluderas som bilaga A till denna bruksanvisning.

## SÄKERHETSVARNINGAR

### Allmänna säkerhetsvarningar för maskiner

**⚠ VARNING:** Läs alla säkerhetsvarningar, anvisningar, illustrationer och specifikationer som medföljer det här maskinen. Underlåtenhet att följa instruktionerna kan leda till elstötar, brand och/eller allvarliga personskador.

### Spara alla varningar och instruktioner för framtida referens.

Termen "maskin" som anges i varningarna hänvisar till din eldrivna maskin (sladdansluten) eller batteridrivna maskin (sladdlös).

### Säkerhetsvarningar för batteridrivna gängstångskap

1. Håll verktyget i ett fast grepp.
2. Sätt fast arbetsstycket så att det sitter stadigt.
3. Håll ansikte och händer på avstånd från rörliga delar. Vid kapning kan den avkapade delen från gängstången flyga iväg.
4. Bär alltid handskar när du hanterar gängstånger. Kanterna på arbetsstycket och avklippta spån är vassa.
5. Lägg inte verktyget på arbetsstyckets spån. Det kan orsaka skada och problem med verktyget.
6. Se till att alltid ha ordentligt fotfäste. Se till att ingen står under dig när verktyget används på hög höjd.
7. Rör inte vid den kapade kanten eller arbetsstycket omedelbart efter avslutat arbete, då de kan vara mycket heta och ge brännskador.
8. Undvik att skära i elektriska ledningar. Det kan orsaka allvarliga olyckor genom elektriska stötter.

9. Håll alltid i gängstången under och efter kapning för att förhindra att den avkapade gängstången faller av. En avkapad gängstång kan orsaka allvarlig personskada om den faller från en hög höjd.
10. Håll ett säkerhetsavstånd mellan din kropp och rörliga delar. Använd inte verktyget om arbetsområdet är för smalt för att upprätthålla säkerhetsavståndet.
11. Lämna aldrig maskinen på hög höjd eller på platser som inte är helt stabila.

## SPARA DESSA ANVISNINGAR.

**⚠ VARNING:** GLÖM INTE att också fortsättningsvis strikt följa säkerhetsanvisningarna för maskinen även efter att du blivit van att använda den.

Vid FELAKTIG HANTERING av maskinen eller om inte säkerhetsanvisningarna i denna bruksanvisning följs kan följden bli allvarliga personskador.

### Viktiga säkerhetsanvisningar för batterikassetten

1. Innan batterikassetten används ska alla instruktioner och varningsmärken på (1) batteriladdaren, (2) batteriet och (3) produkten läsas.
2. Montera inte isär batterikassetten.
3. Om drifttiden blivit avsevärt kortare ska användningen avbrytas omedelbart. Det kan uppstå överhettning, brännskador och t o m en explosion.
4. Om du får elektrolyt i ögonen ska de sköljas med rent vatten och läkare uppsöks omedelbart. Det finns risk för att synen förloras.
5. Kortslut inte batterikassetten.
  - (1) Rör inte vid polerna med något strömförande material.
  - (2) Undvik att förvara batterikassetten tillsammans med andra metallobjekt som t.ex. spikar, mynt o.s.v.
  - (3) Skydda batteriet mot vatten och regn. En batterikortslutning kan orsaka ett stort strömflöde, överhettning, brand och maskinhaveri.
6. Förvara inte maskinen och batterikassetten på platser där temperaturen kan nå eller överstiga 50 °C.
7. Bränn inte upp batterikassetten även om den är svårt skadad eller helt utsliten. Batterikassetten kan explodera i öppen eld.
8. Var försiktig så att du inte råkar tappa batteriet och utsätt det inte för stötter.
9. Använd inte ett skadat batteri.
10. De medföljande litiumjonbatterierna är föremål för kraven i gällande lagstiftning för farligt gods. För kommersiella transporter (av t.ex. tredje parter som speditiönsfirmor) måste de särskilda transportkrav som anges på emballaget och etiketter iakttagas. För att förbereda den produkt som ska avsändas krävs att du konsulterar en expert på riskmaterial. Var också uppmärksam på att det i ditt land kan finnas ytterligare föreskrifter att följa. Tejpa över eller maskera blottade kontakter och packa batteriet på sådant sätt att det inte kan röra sig fritt i förpackningen.

11. Följ lokala föreskrifter beträffande avfallshandling av batteriet.
12. Använd endast batterierna med de produkter som specificerats av Makita. Att använda batterierna med ej godkända produkter kan leda till brand, överdriven värme, explosion eller utläckande elektrolyt.

## SPARA DESSA ANVISNINGAR.

**⚠ FÖRSIKTIGT:** Använda endast äkta Makita-batterier. Användning av oäkta Makita-batterier eller batterier som har manipulerats kan leda till person- och utrustningsskador eller till att batteriet fattar eld. Det upphäver också Makitas garanti för verktyget och laddaren.

## Tips för att uppnå batteriets maximala livslängd

1. Ladda batterikassetten innan den är helt urladdad. Stanna alltid maskinen och ladda batterikassetten när du märker att maskinen blir svagare.
2. Ladda aldrig en fulladdad batterikassett. Överladdning förkortar batteriets livslängd.
3. Ladda batterikassetten vid en rumstemperatur på 10 °C - 40 °C. Låt en varm batterikassett svalna innan den laddas.
4. Ladda batterikassetten om du inte har använt den på länge (mer än sex månader).

## BESKRIVNING AV DELAR

► Fig.1

1	Stationärt fäste	2	Flyttbart fäste	3	Kapmatris	4	Bult
5	Krok	6	Axelbandsbas (för extra tillbehör)	7	Insexnyckel	8	Lampa (inuti)
9	Framsida	10	Avtryckare	11	Reverseringsspak	12	Stångguide
13	Guideskala	14	Spännskruv	15	Lock	-	-

## FUNKTIONSBESKRIVNING

**⚠ FÖRSIKTIGT:** Se alltid till att maskinen är avstängd och batterikassetten borttagen innan du justerar maskinen eller kontrollerar dess funktioner.

### Montera eller demontera batterikassetten

**⚠ FÖRSIKTIGT:** Stäng alltid av maskinen innan du monterar eller tar bort batterikassetten.

**⚠ FÖRSIKTIGT:** Håll stadigt i maskinen och batterikassetten när du monterar eller tar bort batterikassetten. I annat fall kan det leda till att de glider ur dina händer och orsakar skada på maskinen och batterikassetten samt personskada.

► Fig.2: 1. Röd indikator 2. Knapp 3. Batterikassett

Ta bort batterikassetten genom att skjuta ner knappen på kassetten framsida samtidigt som du drar ut batterikassetten.

Sätt i batterikassetten genom att rikta in tungan på batterikassetten mot spåret i höljet och skjut den på plats. Tryck in batterikassetten ordentligt tills den låser fast med ett klick. Om du kan se den röda indikatorn på knappens ovansida är den inte låst ordentligt.

**⚠ FÖRSIKTIGT:** Sätt alltid i batterikassetten helt tills den röda indikatorn inte längre syns. I annat fall kan den oväntat falla ur maskinen och skada dig eller någon annan.

**⚠ FÖRSIKTIGT:** Montera inte batterikassetten med våld. Om kassetten inte lätt glider på plats är den felinsatt.

### Skyddssystem för maskinen/batteriet

Maskinen är utrustad med ett skyddssystem för maskinen-/batteriet. Detta system bryter automatiskt strömmen till motorn för att förlänga maskinens och batteriets livslängd. Maskinen stoppar automatiskt under användningen om maskinen eller batteriet hamnar i en av följande situationer. Indikatorerna tänds i vissa situationer.

### Överbelastningsskydd

Om maskinen används på ett sätt som gör att den drar onormalt mycket ström kan den stoppas automatiskt utan någon varning. När detta sker stänger du av maskinen och upphör med arbetet som gjorde att maskinen överbelastades. Starta därefter upp maskinen igen.

**OBS:** Överbelastningsskyddet aktiveras när du försöker kapa följande sorters gängstänger.

- En gängstäng som är större än kapmatrisernas storlek.
- En gängstäng som är hårdare än kapmatrisernas kapningskapacitet.



## Överhettningsskydd

När verktyget överhettas stoppa verktyget automatiskt och LED-lampan blinkar. Låt maskinen svalna innan du startar den igen.

## Överurladdningsskydd











När batteriets kapacitet är låg stoppar maskinen automatiskt. Om produkten inte fungerar trots att knapparna fungerar som de ska tar du bort batterierna från maskinen och laddar dem.

### Indikerar kvarvarande batterikapacitet

**Endast för batterikassetter med indikator**

► **Fig.3:** 1. Indikatorlampor 2. Kontrollknapp

Tryck på kontrollknappen på batterikassetten för att se kvarvarande batterikapacitet. Indikatorlamporna lyser i ett par sekunder.

Indikatorlampor			Kvarvarande kapacitet
 Upplyst	 Av	 Blinkar	
			75% till 100%
			50% till 75%
			25% till 50%
			0% till 25%
			Ladda batteriet.
			Batteriet kan ha skadats.
			

**OBS:** Beroende på användningsförhållanden och den omgivande temperaturen kan indikationen skilja sig lätt från den faktiska batterikapaciteten.

## Avtryckarens funktion

**⚠ FÖRSIKTIGT:** Innan du sätter i batterikassetten i maskinen ska du kontrollera att avtryckaren fungerar och återgår till läget "OFF" när du släpper den.

Fortsätt trycka in avtryckaren för att starta kapningen. Kapmatrisen på det flyttbara fästet överlappar med matrisen på det stationära fästet och återgår sedan. Om du släpper avtryckaren innan kapningen är klar stannar matriserna.

► **Fig.4:** 1. Avtryckare

► **Fig.5:** 1. Stationärt fäste 2. Kapmatris 3. Flyttbart fäste

**OBSERVERA:** Använd inte maskinen obelastad i onödan.

## Automatisk stoppfunktion

Om du fortsätter trycka in avtryckaren stängs matrisens kåftar en gång och återgår till helt öppet läge och stannar. Släpp avtryckaren och tryck in den igen för att påbörja nästa kapsekvens.

### Reverseringsspak

**⚠ VARNING:** Ställ alltid in reverseringsspaken i läst läge när du inte använder verktyget.

**⚠ FÖRSIKTIGT:** Kontrollera alltid reverseringsspakens läge innan användning.

**OBSERVERA:** Flytta inte reverseringsspaken när avtryckaren är intryckt. Detta kan skada verktyget.

Ställ reverseringsspaken i kapningsläge för att påbörja kapningsdrift.

Ställ reverseringsspaken i reverseringsläge för att påbörja reverseringssekvens. Om du fortsätter trycka in avtryckaren öppnas matrisernas kåftar och stoppar i helt öppet läge.

Ställ reverseringsspaken i läst läge för att låsa avtryckaren. Avtryckaren kan inte tryckas in i detta läge.

► **Fig.6:** 1. Reverseringsspak 2. Kapningsläge 3. Läst läge 4. Reverseringsläge

**OBSERVERA:** När reverseringsspaken är i reverseringsläge, använd verktyget efter behov. För att förhindra att verktyget skadas stannar det automatiskt när det körs kontinuerligt i reverseringsläge.

**OBS:** Om du släpper avtryckaren efter kapning när kapmatrisernas kåftar öppnas, och reverseringsspaken sedan sätts till reverseringsläge, stängs kåftarna en gång och öppnas sedan när du trycker in avtryckaren igen.

## LED-lampa

**⚠ FÖRSIKTIGT:** Titta inte in i ljuset eller direkt i ljuskällan.

Tryck på avtryckaren för att tända lampan. Lampan fortsätter att lysa så länge du håller avtryckaren intryckt. Lampan slöcknar ungefär 15 sekunder efter att du har släppt avtryckaren.

► **Fig.7:** 1. Lampa (inuti)

**OBS:** Använd en torr trasa för att torka bort smuts från lampglaset. Var försiktig så att inte lampglaset repas eftersom ljuset då kan bli svagare.

**OBS:** Lampan blinkar när maskinen är överhettad. Låt i sådana fall verktyget svalna.

## Guideskala

Använd guideskalan om du vill att gängstångerna ska ha samma längd. Sätt i guideskalan i hålen enligt bilden.

► **Fig.8:** 1. Guideskala 2. Spännskruv

Rikta in värdet för önskad längd på guideskalan med kapningslinjen. Dra sedan åt låsskruven.

► **Fig.9:** 1. Guideskala 2. Kapningslinje 3. Spännskruv

**⚠FÖRSIKTIGT:** Håll inte i guideskalan för att bära eller hantera verktyget. Verktyget kan lossa och orsaka personskada och/eller skada på verktyget.

## Stångguide

För en precis kapning, ställ in stångguiden beroende på diameter på den gängstång som ska kapas.

► **Fig.10:** 1. Stångguide (läge 1) 2. Stångguide (läge 2)

Det finns två olika stångguidelägen.

Läge	Storlek på gängstången
1	W3/8, M10
2	M8, M6

## Krok

**⚠FÖRSIKTIGT:** Haka aldrig fast verktyget på blåsiga eller inte är helt stabila platser.

**⚠FÖRSIKTIGT:** Använd inte kroken om den är deformerad eller skadad.

**⚠FÖRSIKTIGT:** Fäll alltid ner kroken när verktyget inte används.

Kroken används för att hänga upp verktyget temporärt.

► **Fig.11:** 1. Krok

**⚠FÖRSIKTIGT:** Häng inte kroken i midjebältet. Det kan leda till personskada och/eller skada verktyget.

► **Fig.12**

## Förvaring av insexnyckel

Förvara insexnyckeln enligt figuren när den inte används, så att du alltid har den till hands.

► **Fig.13:** 1. Insexnyckel

## Bärsele

### Valfria tillbehör

Axelremmen är behändig för att bära verktyget.

► **Fig.14:** 1. Bärsele 2. Bältesände 3. Spänne

**⚠FÖRSIKTIGT:** Bär alltid bärsele i kors över kroppen och justera till lämplig längd.

**⚠FÖRSIKTIGT:** Använd inte bärsele om den är skadad.

**⚠FÖRSIKTIGT:** Lämna ett tillräckligt avstånd mellan spännet och bältesändan för att undvika att bältesändan åker genom spännet.

## MONTERING

**⚠FÖRSIKTIGT:** Se alltid till att maskinen är avstängd och batterikassetten borttagen innan du underhåller maskinen.

## Montera kapmatriserna

**⚠FÖRSIKTIGT:** Montera alltid kapmatriserna i rätta riktningar och ordentligt fastsatt. Felaktig eller lös fastsättning kan leda till skada på kapmatriserna, vilket kan peda till personskada genom ivägflygande delar.

**OBSERVERA:** Ta bort eventuella grader på kapmatriserna med en fil.

1. Kontrollera om kapmatrisernas käft är helt öppna. Om inte, sätt i batteriet och tryck in avtryckaren tills käften är helt öppen.

**⚠FÖRSIKTIGT:** Var noga med att ta ut batterikassetten om du satte i den.

2. Ställ reverseringsspaken i låst läge.

► **Fig.15:** 1. Reverseringsspak

3. Skruva loss skruvarna med den medföljande insexnyckeln.

**⚠FÖRSIKTIGT:** Använd endast den Makita-nyckel som levererats med verktyget. Att använda andra nycklar kan leda till överdragning eller otillräcklig åtdragning, vilket kan leda till personskada.

4. Sätt fast kapmatriserna på fästet så att de två färgade markeringarna är synliga.

► **Fig.16:** 1. Bult 2. Kapmatris 3. Stationärt fäste 4. Flyttbart fäste 5. Färgad markering 6. Insexnyckel

5. Sätt fast kapmatriserna ordentligt med bultarna. kapmatriserna är korrekt fastsatta om pilarna på dem pekar på varandra. Kapmatrisernas mått är samma, men deras tjocklek ser annorlunda ut sett uppifrån.

► **Fig.17:** 1. Pil 2. Kapmatris 3. Tunn sida 4. Tjock sida

# ANVÄNDNING

**⚠ FÖRSIKTIGT:** Se till att korrekt storlek av kapmatriser är monterade i verktyget. Kontrollera kapningskapaciteten märkt på kapmatriserna innan kapning.

**⚠ FÖRSIKTIGT:** Se till att sätta gängstångens gängor så att de passar i kapmatrisernas gängor innan du tryck in avtryckaren. Felaktig inriktning av dessa gängor kan göra så att kapmatriserna går sönder och leda till personskada genom ivägflygande delar.

**⚠ FÖRSIKTIGT:** Byt ut kapmatriserna om dess kanter är flisade eller deformerade.

Placera gängstången vinkelrätt mot kapningslinjen enligt bilden vid kapning.

► **Fig.18:** 1. Kapningslinje

**OBS:** Vid kapning av en gängstång av duktil metall som rostfritt stål, kan grader skapas av den kapade änden. Avlägsna i sådana fall grader med en fil.

► **Fig.19:** 1. Gängstång 2. Grader

## Kapa fastsatta gängstänger

Följ proceduren nedan för kapning av gängstänger som är monterade i byggnadsstrukturer, som tak, vägg, golv etc.:

► **Fig.20:** 1. Gängstång 2. Kapmatris på stationärt fäste

1. Placera verktyget så att gängstången är positionerad mellan kapmatriserna.
2. Medan gängstången är i kontakt med stångguiden, placera stångens gänga med den på kapmatrisen på det stationära fästet.
3. Tryck och håll inne avtryckaren tills kapningen är slutförd och kapmatriserna käft är i helt öppet läge.

**OBSERVERA:** Gör rent verktygets framsida och guideskalans spets innan användning. De kan kontaminera kontaktytan.

## Kapa lösa gängstänger

Följ proceduren nedan för kapning av lösa gängstänger på golvet eller på en arbetsbänk:

► **Fig.21:** 1. Gängstång 2. Kapmatris på stationärt fäste

1. Placera en gängstång mellan kapmatriserna.
2. Medan gängstången är i kontakt med stångguiden, placera stångens gänga med den på kapmatrisen på det stationära fästet.
3. Tryck och håll inne avtryckaren tills kapningen är slutförd och kapmatrisernas käft är i helt öppet läge.

Placera verktyget enligt bilden för kapning av långa gängstänger som är svåra att hålla i handen. Verktyget kan placeras plant. Höljet kan även användas som stöd för gängstängens ände.

► **Fig.22:** 1. Hölje (läge 1) 2. Stångguide (läge 1)  
3. Hölje (läge 2) 4. Stångguide (läge 2)

Höljet har märkningar för att markera sitt läge. Placera höljet i läget enligt tabellen samt enligt stångguiden beroende på gängstångens storlek.

Läge	Storlek på gängstången
1	W3/8, M10
2	M8, M6

## Avsluta kapning mitt i

**⚠ FÖRSIKTIGT:** Försök aldrig dra ut verktyget med kraft från gängstången. Det kan leda till oavsiktligt uppstart som kan leda till personskada eller skada på kapmatriserna eller verktyget.

Vid avslutande av kapning mitt i, ställ reverseringsspäkek i reverseringsläge och tryck på avtryckaren tills gängstången har lossat fullständigt från kapmatriserna.

## UNDERHÅLL

**⚠ FÖRSIKTIGT:** Se alltid till att maskinen är avstängd och batterikassetten borttagen innan inspektion eller underhåll utförs.

**OBSERVERA:** Använd inte bensin, förtunningsmedel, alkohol eller liknande. Missfärgning, deformation eller sprickor kan uppstå.

## Byta ut kapmatriserna

**OBSERVERA:** Byt ut båda kapmatriserna samtidigt. Att bara byta ut ena sidan av kapmatrisen kan leda till gradning på gängstången.

Byt ut kapmatrisen när den är flisad, deformerad eller kapningen är slö. Följ instruktionerna i "Installera kapmatrisen" för byte av kapmatrisen.

► **Fig.23:** 1. Flisor 2. Deformering

En kapmatris har två kapkanter och tjock sida och tunn sida. Byt installationsläge på kapmatriserna om du inte har använt den andra sidan av kapkanterna.

► **Fig.24:** 1. Kapkant 2. Tunn sida 3. Tjock sida

## Bära/lagra verktyget

**⚠ FÖRSIKTIGT:** Om verktyget inte används ska det medföljande höljet alltid monteras på kapdelen.

Fäst höljet när du bär verktyget.

Ta bort batterikassetten och guideskalan från verktyget när du lagrar verktyget. Avlägsna damm från kapmatriserna och de rörliga delarna. Fäst därefter höljet.

► **Fig.25:** 1. Lock

För att upprätthålla produktens SÄKERHET och TILLFÖRLITLIGHET bör allt underhålls- och justeringsarbete utföras av ett auktoriserat Makita servicecenter och med reservdelar från Makita.

# VALFRIA TILLBEHÖR

**⚠ FÖRSIKTIGT:** Följande tillbehör eller tillsatser rekommenderas för användning med den Makita-maskin som denna bruksanvisning avser. Om andra tillbehör eller tillsatser används kan det uppstå risk för personskador. Använd endast tillbehören eller tillsatserna för de syften de är avsedda för.

Kontakta ditt lokala Makita servicecenter om du behöver ytterligare information om dessa tillbehör.

- Kapmatriser
- Bärsele
- Makitas originalbatteri och -laddare

**OBS:** Några av tillbehören i listan kan vara inkluderade i maskinpaketet som standardtillbehör. De kan variera mellan olika länder.

## TEKNISKE DATA

Modell:		DSC102
Skjærekapasitet	Bløtt stål	W3/8, M10, M8, M6
	Rustfritt stål	W3/8, M8, M6
Total lengde		199 mm
Nominell spenning		DC 18 V DC 14,4 V
Nettovekt		2,8 - 3,2 kg

- På grunn av vårt kontinuerlige forsknings- og utviklingsprogram kan spesifikasjonene som oppgis i dette dokumentet endres uten varsel.
- Spesifikasjonene kan variere fra land til land.
- Vekten kan variere avhengig av tilbehøret/tilbehørene, inkludert batteriet. Den letteste og tyngste kombinasjonen, i henhold til EPTA-prosedyre 01/2014, vises i tabellen.

## Passende batteri og lader

Batteriinnsett	DC 14,4 V modell	BL1415N / BL1430 / BL1430B / BL1440 / BL1450 / BL1460B
	DC 18 V modell	BL1815N / BL1820 / BL1820B / BL1830 / BL1830B / BL1840 / BL1840B / BL1850 / BL1850B / BL1860B
Lader		DC18RC / DC18RD / DC18RE / DC18SD / DC18SE / DC18SF

- Noen av batteriene og laderne som er opplistet ovenfor er kanskje ikke tilgjengelige, avhengig av hvor du bor.

**⚠ ADVARSEL: Bruk kun de batteriene og laderne som er opplistet ovenfor.** Bruk av andre batterier og ladere kan føre til personskader og/eller brann.

## Symboler

Nedenfor ser du symbolene som brukes for dette utstyret. Forviss deg om at du forstår hva de betyr, før du begynner å bruke maskinen.

	Les bruksanvisningen.
	Bruk vernebriller.
	Ikke rør skjærekuben under drift.
	Vær oppmerksom på et avskåret gjenget stag.
	Hold ansiktet unna verktøyet når det er i bruk.
 Ni-MH Li-Ion	Kun for EU-land Kast aldri elektroutstyr eller batteripakker i husholdningsavfallet! I henhold til EU-direktivene om kasserte elektriske og elektroniske produkter, og om batterier og akkumulatører og brukte batterier og akkumulatører og direktivenes iverksettning i nasjonal rett, må elektriske produkter og batterier og batteripakker som ikke lenger skal brukes, samles separat og returneres til et miljøvennlig gjenvinningsanlegg.

## Riktig bruk

Verktøyet er ment for å kappe gjengede stenger.

## Støy

Typisk A-vektet lydtryknivå er bestemt i henhold til EN62841:

Lydtryknivå ( $L_{pA}$ ): 71 dB (A)

Usikkerhet (K): 3 dB (A)

Støynivået under arbeid kan overskride 80 dB (A).

**⚠ ADVARSEL: Bruk hørselsvern.**

## Vibrasjoner

Den totale vibrasjonsverdien (triaksial vektorsum) bestemt i henhold EN62841:

Arbeidsmodus: skjære gjenget rustfritt stålstang (stangstørrelse W3/8)

Genererte vibrasjoner ( $a_h$ ): 2,5 m/s<sup>2</sup> eller mindre

Usikkerhet (K): 1,5 m/s<sup>2</sup>

**MERK:** Den angitte verdien for de genererte vibrasjonene er målt i samsvar med standardtestmetoden og kan brukes til å sammenlikne et verktøy med et annet.

**MERK:** Den angitte verdien for de genererte vibrasjonene kan også brukes til en foreløpig vurdering av eksponeringen.

**⚠ ADVARSEL:** De genererte vibrasjonene ved faktisk bruk av elektroverktøyet kan avvike fra den angitte vibrasjonsverdien, avhengig av hvordan verktøyet brukes.

**⚠ ADVARSEL:** Sørg for å identifisere vernetiltak for å beskytte operatøren, som er basert på et estimat av eksponeringen under de faktiske bruksforholdene (idet det tas hensyn til alle deler av driftssyklusen, dvs. hvor lenge verktøyet er slått av, hvor lenge det går på tomgang og hvor lenge startbryteren faktisk holdes trykket).

## EFs samsvarserklæring

### Gjelder kun for land i Europa

EFs samsvarserklæring er lagt til som vedlegg A i denne bruksanvisningen.

## SIKKERHETSADVARSEL

### Generelle advarsler angående sikkerhet for elektroverktøy

**⚠ ADVARSEL:** Les alle sikkerhetsadvarsler, instruksjoner, illustrasjoner og spesifikasjoner som følger med dette elektroverktøyet. Hvis ikke alle instruksjonene nedenfor følges, kan det forekomme elektrisk støt, brann og/eller alvorlig skade.

### Oppbevar alle advarsler og instruksjoner for senere bruk.

Uttrykket «elektrisk verktøy» i advarslene refererer både til elektriske verktøy (med ledning) tilkoblet strømmettet, og batteridrevne verktøy (uten ledning).

### Sikkerhetsanvisninger for batteridrevne kapper for gjengede stenger

1. Hold godt tak i verktøyet.
2. Fest arbeidsstykket godt.
3. Hold ansikt og hender unna deler i bevegelse. Ved kutting kan deler av det gjengede staget slynges ut.
4. Bruk alltid hansker når du håndterer gjengede stenge. Kanter og spon på arbeidsemnet er skarpe.
5. Ikke sett verktøyet på biter av arbeidsemnet. Ellers kan det føre til skader og problemer med verktøyet.
6. Pass på at du alltid har godt fotfeste. Forviss deg om at ingen står under deg når du jobber høyt over bakken.
7. Ikke ta i bladet eller arbeidsstykket straks etter bruk. De kan være ekstremt varme, og du kan brenne deg.
8. Pass på så du ikke skjærer i elektriske ledninger. Det kan føre til alvorlige ulykker som følge av elektrisk sjokk.

9. Du må alltid holde det gjengede staget i løpet av og etter skjæring for å forhindre at den avkappede delen faller av. Et kuttet gjenget stag kan forårsake alvorlig personskade hvis den faller ned fra stor høyde.
10. Hold en sikker avstand mellom kroppen din og de bevegelige delene. Ikke bruk verktøyet hvis arbeidsområdet er for smalt til å kunne holde god avstand.
11. Aldri heng opp verktøyet på et høyt sted eller en mulig ustabil overflate.

## TA VARE PÅ DISSE INSTRUKSENE.

**⚠ ADVARSEL:** IKKE LA hensynet til hva som er "behagelig" eller det faktum at du kjenner produktet godt (etter mange gangers bruk) gjøre deg mindre oppmerksom på sikkerhetsreglene for bruken av det aktuelle produktet.

Ved MISBRUK eller hvis ikke sikkerhetsreglene i denne bruksanvisningen følges, kan det oppstå alvorlig personskade.

### Viktige sikkerhetsanvisninger for batteriinnsetts

1. Før du begynner å bruke batteriet, må du lese alle anvisninger og forsiktighetsregler på (1) batteriladeren, (2) batteriet og (3) det produktet batteriet skal brukes i.
2. Ikke ta fra hverandre batteriet.
3. Hvis driftstiden er blitt vesentlig kortere, må du omgående slutte å bruke maskinen. Hvis ikke kan resultatet bli overoppheting, mulige forbrenninger eller til og med en eksplosjon.
4. Hvis du får elektrolytt i øynene, må du skylle dem med store mengder rennende vann og oppsøke lege med én gang. Denne typen uhell kan føre til varig blindhet.
5. Ikke kortschluss batteriet:
  - (1) De kan være ekstremt varme og du kan brenne deg.
  - (2) Ikke lagre batteriet i samme beholder som andre metallgjenstander, som for eksempel spiker, mynter osv.
  - (3) Ikke la batteriet komme i kontakt med vann eller regn.En kortslutning av batteriet kan føre til et kraftig strømstøt, overoppheting, mulige forbrenninger og til og med til at batteriet går i stykker.
6. Ikke lagre maskinen og batteriet på steder hvor temperaturen kan komme opp i eller overskride 50 °C.
7. Ikke sett fyr på batteriet, ikke engang om det er sterkt skadet eller helt utslitt. Batteriet kan eksplodere hvis det begynner å brenne.
8. Vær forsiktig så du ikke mister batteriet eller utsetter det for slag.
9. Ikke bruk batterier som er skadet.
10. Lithium-ion-batteriener som medfølger er gjenstand for krav om spesialavfall.

For kommersiell transport, f.eks av tredjeparter eller speditører, må spesielle krav om pakking og merking følges. Før varen blir sendt, må du forhøre deg med en ekspert på farlig materiale. Ta også hensyn til muligheten for mer detaljerte nasjonale bestemmelser.

Bruk teip eller maskeringsteip for å skjule åpne kontakter og pakk inn batteriet på en slik måte at den ikke kan bevege seg rundt i emballasjen.

11. **Følg lokale bestemmelser for avhengig av batterier.**
12. **Bruk batteriene kun med produkter spesifisert av Makita.** Montere batteriene i produkter som ikke er konforme kan føre til brann, overheting eller elektrolytlekkasje.

## TA VARE PÅ DISSE INSTRUKSENE.

**⚠FORSIKTIG:** Bruk kun originale Makita-batterier. Bruk av batterier som har endret seg, eller som ikke er originale Makita-batterier, kan føre til at batteriet sprekker og forårsaker brann, personskader og andre skader. Det vil også ugyldiggjøre garantien for Makita-verktøyet og -laderen.

## Tips for å opprettholde maksimal batterilevetid

1. **Lad batteriinnstansen før den er helt utladet. Stopp alltid driften av verktøyet og lad batteriinnstansen når du merker at effekten reduseres.**
2. **Lad aldri en batteriinnstans som er fulladet. Overopplading forkorter batteriets levetid.**
3. **Lad batteriet i romtemperatur ved 10 °C - 40 °C. Et varmt batteri må kjøles ned før lading.**
4. **Lad batteriet hvis det ikke har vært brukt på en lang stund (over seks måneder).**

## DELEBESKRIVELSE

### ► Fig.1

1	Stasjonær montering	2	Bevegelig montering	3	Skjærekube	4	Bolt
5	Krok	6	Skulderstroppbase (for ekstra tilbehør)	7	Sekskantnøkkel	8	Lampe (innvendig)
9	Frontflate	10	Startbryter	11	Reverseringsspak	12	Stagfører
13	Føringskala	14	Klemmeskrue	15	Deksel	-	-

## FUNKSJONS BESKRIVELSE

**⚠FORSIKTIG:** Forviss deg alltid om at maskinen er slått av og batteriet tatt ut før du justerer maskinen eller kontrollerer dens mekaniske funksjoner.

### Sette inn eller ta ut batteri

**⚠FORSIKTIG:** Slå alltid av verktøyet før du setter inn eller fjerner batteriet.

**⚠FORSIKTIG:** Hold verktøyet og batteripatronen i et fast grep når du monterer eller fjerner batteripatronen. Hvis du ikke holder verktøyet og batteripatronen godt fast, kan du miste grepet, og dette kan føre til skader på verktøyet og batteripatronen samt personskader.

### ► Fig.2: 1. Rød indikator 2. Knapp 3. Batteriinnstans

For å ta ut batteriet må du skyve på knappen foran på batteriet og trekke det ut.

Når du skal sette inn batteriet, må du plassere tungen på batteriet på linje med sporet i huset og skyve batteriet på plass. Skyv det helt inn til det går i inngrep med et lite klikk. Hvis du kan se den røde anviseren på oversiden av knappen, er det ikke fullstendig låst.

**⚠FORSIKTIG:** Batteriet må alltid settes helt inn, så langt at den røde anviseren ikke lenger er synlig. Hvis dette ikke gjøres, kan batteriet komme til å falle ut av maskinen og skade deg eller andre som oppholder seg i nærheten.

**⚠FORSIKTIG:** Ikke bruk makt når du setter i batteriet. Hvis batteriet ikke glir lett inn, er det fordi det ikke settes inn på riktig måte.

## Batterivernsystem for verktøy/ batteri

Verktøyet er utstyrt med et batterivernsystem for verktøy/batteri. Dette systemet slår automatisk av strømmen til motoren for å forlenge verktøyets og batteriets levetid. Verktøyet stopper automatisk under drift hvis verktøyet eller batteriet utsettes for en av følgende tilstander. Indikatorerne lyser i noen tilfeller.

## Overlastsikring

Når verktøyet brukes på en måte som gjør at det bruker unormalt mye strøm, vil verktøyet stoppe, helt automatisk og uten forvarsel. I dette tilfellet må du slå av verktøyet og avslutte bruken som forårsaket at verktøyet ble overbelastet. Slå deretter verktøyet på for å starte det igjen.

**MERK:** Beskyttelsen mot overbelastning aktiveres når du forsøker å skjære følgende typer gjengede stag.

- Et gjenget stag som er større enn skjærekubens størrelse.
- Et gjenget stag som er hardere enn skjærekapasiteten til skjærekuben.

## Overopphetingsvern

Når verktøyet er overopphetet, stopper det automatisk, og LED-lampen vil blinke. La verktøyet kjøle seg ned før du slår på verktøyet igjen.

## Overutladningsvern

Når det blir lite batteri igjen, stopper verktøyet automatisk. Hvis produktet ikke går selv om bryterne aktiveres, må du ta batteriene ut av verktøyet og lade batteriene.

## Indikere gjenværende batterikapasitet

**Kun for batterier med indikatoren**

► **Fig.3:** 1. Indikatorlamper 2. Kontrollknapp

Trykk på sjekk-knappen på batteriet for vise gjenværende batterikapasitet. Indikatorlampene lyser i et par sekunder.

Indikatorlamper			Gjenværende batterinivå
Tent	Av	Blinker	
			75 % til 100 %
			50 % til 75 %
			25 % til 50 %
			0 % til 25 %
			Lad batteriet.
			Batteriet kan ha en feil.

**MERK:** Det angitte nivået kan avvike noe fra den faktiske kapasiteten alt etter bruksforholdene og den omgivende temperaturen.

## Bryterfunksjon

**⚠FORSIKTIG:** Før du setter batteriet inn i maskinen, må du alltid kontrollere at startbryteren aktiverer maskinen på riktig måte og går tilbake til «AV»-stilling når den slippes.

For å starte skjæresekvensen, fortsette å trekke i startbryteren. Skjærekuben som er montert bevegelig, vil overlape med kuben på den stasjonære monteringen og returnerer så. Hvis du slipper startbryteren før kuttet er fullført, stanser skjærekuben.

► **Fig.4:** 1. Startbryter

► **Fig.5:** 1. Stasjonær montering 2. Skjærekube 3. Bevegelig montering

**OBS:** Ikke bruk verktøyet uten belastning, hvis det ikke er nødvendig.

## Automatisk stoppfunksjon

Når du fortsetter å trekke i startbryteren, åpner og stopper kloen på kuben i åpen posisjon. Slipp avtrekkeren og trekk den igjen for å begynne den neste skjæresekvensen.

## Reverseringsspak

**⚠ADVARSEL:** Når du ikke bruker maskinen, må du alltid sette reverseringsspaken i låst stilling.

**⚠FORSIKTIG:** Kontroller posisjonen til reverseringsspaken før du starter.

**OBS:** Ikke beveg reverseringsspaken mens startbryteren blir aktivert. Det kan forårsake skade på verktøyet.

For å starte skjæringen, sett reverseringsspaken i skjærestilling.

For å reversere en skjæresekvens, sett reverseringsspaken i reversstilling. Når du fortsetter å trekke i startbryteren, vil kloen på kuben lukkes en gang og går tilbake til åpen posisjon. Så stanser den.

For å låse startbryteren, settes reverseringsspaken i låst stilling. Startbryteren kan ikke trekkes i denne stillingen.

► **Fig.6:** 1. Reverseringsspak 2. Skjæreposisjon 3. Låst stilling 4. Reverserende stilling

**OBS:** Når reverseringsspaken er i reversstilling, må verktøyet bare kjøres ved behov. For å forhindre skade på verktøyet, vil verktøyet stoppe automatisk når det kjøres kontinuerlig i revers.

**MERK:** Når du er ferdig med kappet, og frigjør startbryteren mens kloen på skjærekuben åpner, og så setter reverseringsspaken i reversstilling, vil kloen først lukkes og så åpnes når du trekker i startbryteren igjen.

## LED-lys

**⚠FORSIKTIG:** Ikke se inn i lyset eller se direkte på lyskilden.

Trykk på startbryteren for å tenne lampen. Lampen fortsetter å lyse så lenge startbryteren holdes inne. Lampen slukkes omtrent 15 sekunder etter at startbryteren er sluppet.

► **Fig.7:** 1. Lampe (innvendig)

**MERK:** Bruk en tørr klut til å tørke støv osv. av lampelinsen. Vær forsiktig så det ikke blir riper i lampelinsen, da dette kan redusere lysstyrken.

**MERK:** Lampen vil blinke når verktøyet er overopphetet. La verktøyet kjøle seg ned i denne boksen.



## Føringsskala

Bruk føreskalaen hvis du ønsker å kutte gjengede sag av samme lengde. Sett inn føreskalaen i hullet som vist i figuren.

► **Fig.8:** 1. Føringsskala 2. Klemmeskrue

Rett inn verdien av ønsket lengde på føreskalaen med skjærelinjen. Stram deretter klemmeskruen.

► **Fig.9:** 1. Føringsskala 2. Skjærelinje  
3. Klemmeskrue

**⚠FORSIKTIG:** Ikke hold i føringsskalaen for å bære eller håndtere verktøyet. Verktøyet kan falle ned og forårsake personskader og/eller skade på verktøyet.

## Stagfører

For å få et nøyaktig kapp, sett stagføreren i posisjon, avhengig av diameteren på staget som skal kuttes.

► **Fig.10:** 1. Stagfører (posisjon 1) 2. Stagfører (posisjon 2)

Det er to posisjoner for stagføreren.

Posisjon	Størrelsen på det gjengede staget
1	W3/8, M10
2	M8, M6

## Krok

**⚠FORSIKTIG:** Verktøyet må aldri henges opp på det sted det blåser mye eller en potensielt ustabil overflate.

**⚠FORSIKTIG:** Ikke bruk kroken hvis den er deformert eller skadet.

**⚠FORSIKTIG:** Når verktøyet ikke er i bruk, skal kroken alltid være foldet inn.

Kroken er praktisk å henge opp verktøyet med for kortere tid.

► **Fig.11:** 1. Krok

**⚠FORSIKTIG:** Ikke heng kroken i verktøybeltet. Det kan forårsake personskade og/eller skade på verktøyet hvis det faller ned.

► **Fig.12**

## Oppbevare sekskantnøkkel

Når sekskantnøkkelen ikke er i bruk, må du oppbevare den som vist i figuren, slik at du ikke mister den.

► **Fig.13:** 1. Sekskantnøkkel

## Skulderstropp

### Valgfritt tilbehør

Skulderstroppen er nyttig til å bære verktøyet med.

► **Fig.14:** 1. Skulderstropp 2. Belteende 3. Spenne

**⚠FORSIKTIG:** Skulderstroppen skal alltid brukes i kryss over kroppen, og justeres til riktig lengde.

**⚠FORSIKTIG:** Ikke bruk skulderstroppen hvis den er skadet.

**⚠FORSIKTIG:** La det være tilstrekkelig lengde mellom spennen og belteenden slik at belteenden ikke glir gjennom spennen.

## MONTERING

**⚠FORSIKTIG:** Forviss deg alltid om at maskinen er slått av og batteriet tatt ut før du utfører noe arbeid på maskinen.

## Montere skjærekuben

**⚠FORSIKTIG:** Skjærekuben må alltid installeres i riktig retninger og sikres godt. Feil eller løst tilbehør kan forårsake at skjærekuben brekker, noe som kan føre til personskader fra deler som slynges ut.

**OBS:** Fjern eventuelle ujevnheter på skjærekubene med en fil.

1. Sjekk om kloen på skjærekubene er helt åpen. Hvis ikke, sett inn batteriet og trekk startbryteren til kloen her helt åpnet.

**⚠FORSIKTIG:** Sørg for å ta av batterikassetten, hvis den er satt på.

2. Sette reverseringsspaken i låst stilling.

► **Fig.15:** 1. Reverseringsspak

3. Skru ut boltene med den medleverte sekskantnøkkelen.

**⚠FORSIKTIG:** Bruk bare de skrunøklene fra Makita som fulgte med verktøyet. Hvis du bruker en annen nøkkel, kan det føre til overstramming eller for lite stramming, noe som igjen kan gi alvorlige personskader.

4. Sett inn skjærekubene i festene slik at de to fargede merkene kan ses.

► **Fig.16:** 1. Bolt 2. Skjærekube 3. Stasjonær montering 4. Bevegelig montering 5. Farget merking 6. Sekskantnøkkel

5. Sikre skjærekuben godt med skruene.

Skjærekubene er riktig montert hvis pilene på dem peker mot hverandre. Dimensjonene til skjærekubene er de samme, men tykkelsen ser anderledes ut sett ovenfra.

► **Fig.17:** 1. Pil 2. Skjærekube 3. Tynn side 4. Tykk side

## BRUK

**⚠️FORSIKTIG:** Pass på at det er riktig størrelse på skjærekuben som er montert på verktøyet. Kontroller skjærekapasiteten som er trykket på skjærekuben før du starter å skjære.

**⚠️FORSIKTIG:** Før du trekker i startbryteren, pass på at du legger det gjengede staget slik at gjengene passer med dem på skjærekuben. Feil innretning av gjengene kan forårsake at skjærekuben brekker, noe som forårsaker personskader fra deler som slynges ut.

**⚠️FORSIKTIG:** Skift ut skjærekuben hvis skjærekanten har kutt eller er deformert.

Når du skjærer, plasser det gjengede staget vinkelrett på skjærelinjen som vist i figuren.

► **Fig.18:** 1. Skjærelinje

**MERK:** Når du kutter et gjenget stag som er laget av bøyelig metall, som rustfritt stål, kan det oppstå ujevnheter på skjæreeenden. Fjern ujevnheter med en fil i dette tilfellet.

► **Fig.19:** 1. Gjenget stag 2. Ujevnheter

## Kutting av fast gjengede stag

Når du kutter et gjenget stag som er sikret til bygningsstrukturen, som i taket, på en vegg, på gulvet, osv, følg fremgangsmåten nedenfor:

► **Fig.20:** 1. Gjenget stag 2. Skjærekube på den faste monteringen

1. Sett verktøyet slik at det gjengede staget er posisjonert mellom skjærekubene.
2. Når det gjengede staget får kontakt med stagfører, tilpasses gjengene på staget med dem på skjærekuben på det stasjonært monterte verktøyet.
3. Trekk og hold startbryteren til skjæringen er utført og kloen på skjærekubene står i helt åpen stilling.

**OBS:** Rengjør frontflaten på verktøyet og spissen på føringsskalaen før bruk. Kontaktoverflaten kan være skitten.

## Kutting av løst gjengede stag

Når du kutter et løs, gjenget stag på gulvet eller på et arbeidsbord, følg fremgangsmåten nedenfor.

► **Fig.21:** 1. Gjenget stag 2. Skjærekube på den faste monteringen

1. Posisjoner et gjenget stag i skjærekuben.
2. Når det gjengede staget får kontakt med stagfører, tilpasses gjengene på staget med dem på skjærekuben på det stasjonært monterte verktøyet.
3. Trekk og hold startbryteren til skjæringen er utført og kloen på skjærekubene står i helt åpen stilling.

Når du kutter et langt, gjenget stag som det er vanskelig å holde i hånden, plasseres verktøyet som illustrert. Verktøyet kan plasseres flatt. Dekselet kan også brukes til å støtte enden av det gjengede staget.

► **Fig.22:** 1. Deksel (posisjon 1) 2. Stagfører (posisjon 1) 3. Deksel (posisjon 2) 4. Stagfører (posisjon 2)

Dekselet har merker for å angi posisjonen. Avhengig av størrelsen på det gjengede staget, sett dekelet i posisjonen og stagføreren som vist i tabellen.

Posisjon	Størrelsen på det gjengede staget
1	W3/8, M10
2	M8, M6

## Stopp av skjæringen i midten

**⚠️FORSIKTIG:** Du må aldri forsøke å trekke verktøyet ut med kraft fra det gjengede staget. Det kan forårsake en uventet oppstart som kan medføre personskade eller skade på skjærekuben og verktøyet.

Når du stopper skjæringen midt i arbeidet, setter du reverseringsspaken til reverseringsstilling, og trekk startbryteren til det gjengede staget er helt frigjort fra skjærekuben.

## VEDLIKEHOLD

**⚠️FORSIKTIG:** Forviss deg alltid om at maskinen er slått av og batteriet tatt ut før du foretar inspeksjon eller vedlikehold.

**OBS:** Aldri bruk gasolin, bensin, tynner alkohol eller lignende. Det kan føre til misfarging, deformering eller sprekkdannelse.

## Utskifting av skjærekuben

**OBS:** Skift ut begge skjærekubene samtidig. Utskifting av en av sidene på skjærekuben kan skape ujevnheter på det gjengede staget.

Skift ut skjærekuben når den har fått hakk, er deformert eller sløvt. For å skifte den ut, følg instruksjonene i "Montere skjærekuben".

► **Fig.23:** 1. Kvistkapper 2. Deformering

En skjærekube har to skjæreegger og én tykk side og én tynn side. Skift monteringsposisjonene til skjærekuben hvis du ikke har brukt den andre siden av kutteeggene.

► **Fig.24:** 1. Skjærekant 2. Tynn side 3. Tykk side

## Bære/oppbevare verktøyet

**⚠️ FORSIKTIG:** Når verktøyet ikke er i bruk, må alltid det medleverte dekselet settes over skjæredelen.

Ha dekselet påfestet når du bærer verktøyet. Ta ut batteriinnsetningen og føreskalaen fra verktøyet når det settes til oppbevaring. Fjern støv på skjærekubene og den bevegelige delen. Fest deretter dekselet.

► **Fig.25:** 1. Deksel

For å opprettholde produktets SIKKERHET og PALITELIGHET, må reparasjoner, vedlikehold og justeringer utføres av autoriserte Makita servicesentre eller fabrikksservicesentre, og det må alltid brukes reservedeler fra Makita.

## VALGFRITT TILBEHØR

**⚠️ FORSIKTIG:** Det anbefales at du bruker dette tilbehøret eller verktøyet sammen med den Makita-maskinen som er spesifisert i denne håndboken. Bruk av annet tilbehør eller verktøy kan forårsake personskader. Tilbehør og verktøy må kun brukes til det formålet det er beregnet på.

Ta kontakt med ditt lokale Makita-servicesenter hvis du trenger mer informasjon om dette tilbehøret.

- Skjærekuber
- Skulderstropp
- Makita originalbatteri og lader

**MERK:** Enkelte elementer i listen kan være inkludert som standardtilbehør i verktøypakken. Elementene kan variere fra land til land.

## TEKNISEET TIEDOT

<b>Malli:</b>		<b>DSC102</b>
Leikkauskapasiteetti	Pehmeä teräs	W3/8, M10, M8, M6
	Ruostumaton teräs	W3/8, M8, M6
Kokonaispituus		199 mm
Nimellisjännite		DC 18 V DC 14,4 V
Nettopaino		2,8 - 3,2 kg

- Jatkuvasta tutkimus- ja kehitystyöstämme johtuen esitetyt tekniset tiedot saattavat muuttua ilman erillistä ilmoitusta.
- Tekniset tiedot voivat vaihdella maittain.
- Paino voi olla erilainen lisävarusteista sekä akusta johtuen. EPTA-menettelytavan 01/2014 mukaisesti, taulukossa on kuvattu kevyin ja painavin laiteyhdistelmä.

## Käytettävä akkupaketti ja laturi



Akkupaketti	DC 14,4 V malli	BL1415N / BL1430 / BL1430B / BL1440 / BL1450 / BL1460B
	DC 18 V malli	BL1815N / BL1820 / BL1820B / BL1830 / BL1830B / BL1840 / BL1840B / BL1850 / BL1850B / BL1860B
Laturi		DC18RC / DC18RD / DC18RE / DC18SD / DC18SE / DC18SF

- Tiettyjä yläpuolella kuvattuja akkuja ja latureita ei ehkä ole saatavana asuinalueestasi johtuen.

**VAROITUS:** Käytä vain edellä eriteltyjä akkupaketteja ja latureita. Muiden akkupakettien ja laturien käyttäminen voi aiheuttaa loukkaantumisen ja/tai tulipalon.

## Symbolit

Laitteessa on käytetty seuraavia symboleja. Opettele niiden merkitys ennen käyttöä.

	Lue käyttöohje.
	Käytä suojalaseja.
	Älä kosketa kierreleukoja käytön aikana.
	Pidä varasi kierretankoa leikattaessa.
	Älä pidä kasvoja laitteen lähellä sen käytön aikana.
	Koskee vain EU-maita Älä hävitä sähkölaitteita tai akkuja tavallisen kotitalousjätteen mukana! Sähkö- ja elektroniikkalaiteromua koskevan EU-direktiivin ja paristoja ja akkuja sekä käytettyjä paristoja ja akkuja koskevan direktiivin ja niiden maakohtaisten sovellusten mukaisesti käytetyt sähkölaitteet ja akut on toimitettava ongelmajätteen keräyspisteeseen ja ohjattava ympäristöystävälliseen kierrätykseen.

## Käyttötarkoitus

Laitte on tarkoitettu kierretankojen leikkaukseen.

## Melutaso

Tyypillinen A-painotettu melutaso määräytyy standardin EN62841 mukaan:

Äänenpainetaso ( $L_{pA}$ ): 71 dB (A)

Virhemarginaali (K): 3 dB (A)

Työskentelyn aikana melutaso voi ylittää 80 dB (A).

**VAROITUS:** Käytä kuulosuojaimia.

## Tärinä

Kokonaistärinä (kolmen akselin vektorien summa) määräytyy standardin EN62841 mukaan:

Työtila: kierteellisen ruostumattoman terästangon leikkaus (tangon koko W3/8)

Tärinäpäästö ( $a_{rh}$ ): 2,5 m/s<sup>2</sup> tai alhaisempi

Virhemarginaali (K): 1,5 m/s<sup>2</sup>

**HUOMAA:** Ilmoitettu tärinäpäästöarvo on mitattu standarditestausten mukaisesti, ja sen avulla voidaan vertailla työkaluja keskenään.

**HUOMAA:** Ilmoitettua tärinäpäästöarvoa voidaan käyttää myös altistumisen alustavaan arviointiin.

**VAROITUS:** Työkalun käytön aikana mitattu todellinen tärinäpäästöarvo voi poiketa ilmoitetusta tärinäpäästöarvosta työkalun käyttötavan mukaan.

**VAROITUS:** Selvitä käyttäjän suojaamiseksi tarvittavat varoitimet todellisissa käyttöolosuhteissa tapahtuvan arvioidan altistumisen mukaisesti (ottaen huomioon käyttöjaksoko kokonaisuudessaan, myös jaksot, joiden aikana työkalu on sammutettuna tai käy tyhjäkäynnillä).

## EY-vaatimusten mukaisuusvakuutus

### Koskee vain Euroopan maita

EY-vaatimusten mukaisuusvakuutus on liitetty tähän käyttöoppaaseen.

## TURVAVAROITUKSET

### Sähkötyökalujen käyttöä koskevat yleiset varoitukset

**VAROITUS:** Tutustu kaikkiin tämän sähkötyökalun mukana toimitettuihin varoituksiin, ohjeisiin, kuviin ja teknisiin tietoihin. Seuraavassa lueteltujen ohjeiden noudattamatta jättäminen saattaa johtaa sähköiskuun, tulipaloon tai vakavaan vammautumiseen.

### Säilytä varoitukset ja ohjeet tulevaa käyttöä varten.

Varoituksissa käytettävällä termillä ”sähkötyökalu” tarkoitetaan joko verkkovirtaa käyttävää (johdollista) työkalua tai akkukäyttöistä (johdotonta) työkalua.

### Akkukäyttöistä kierretankoleikkuria koskevat turvavaroitukset

1. Ota laitteesta luja ote.
2. Kiinnitä työkalupale tukevasti.
3. Pidä kasvosasi ja kätesi kaukana liikkuvista osista. Leikkaamisen aikana kierretangosta voi irrota kappaleita.
4. Käytä aina suojakäsineitä, kun käsittelet kierretankoja. Työkappaleen reunat ja lastut ovat teräviä.
5. Älä aseta laitetta työkalupaleen lastuihin. Se voi aiheuttaa laitteen vahingoittumisen tai ongelmia.
6. Seiso aina tukevassa asennossa. Varmista korkealla työskennellessäsi, ettei ketään ole alapuolella.
7. Älä kosketa leikkuureunaa tai työkalupaletta välittömästi käytön jälkeen, sillä ne voivat olla erittäin kuumia ja polttaa ihoasi.
8. Vältä leikkaamista sähköjohtoja. Niiden leikkaaminen voi aiheuttaa sähköiskun ja vakavan onnettomuuden.
9. Pidä kierretangosta aina kiinni ennen leikkaamista ja leikkaamisen jälkeen niin, ettei irti leikattava osa pääse putoamaan. Korkealta putoava kierretanko voi aiheuttaa vakavia henkilövahinkoja.

10. Pidä vartalosasi turvallisella etäisyydellä liikkuvista osista. Älä käytä laitetta, jos työskentelytila on liian kapea turvavälin jättämiseen.
11. Älä koskaan jätä laitetta korkeaan paikkaan tai epävakaa alustalle.

## SÄILYTÄ NÄMÄ OHJEET.

**VAROITUS:** ÄLÄ anna työkalun helppokäyttöisyyden (toistuvan käytön aikaansaama) johtaa sinua väärään turvallisuuden tunteeseen niin, että laiminlyöt työkalun turvaohjeiden noudattamisen. VÄÄRINKÄYTTÖ tai tässä käyttöohjeessa ilmoitettujen turvamääräysten laiminlyönti voi aiheuttaa vakavia henkilövahinkoja.

### Akkupakettia koskevia tärkeitä turvaohjeita

1. Ennen akun käyttöönottoa tutustu kaikkiin laturissa (1), akussa (2) ja akkukäyttöisessä tuotteessa (3) oleviin varoitusteksteihin.
2. Älä pura akkua.
3. Jos akun toiminta-aika lyhenee merkittävästi, lopeta akun käyttö. Seurauksena voi olla ylikuumentuminen, palovammoja tai jopa räjähdys.
4. Jos akkunen pääsee silmiin, huuhtele puhtaalla vedellä ja hakeudu välittömästi lääkärin hoitoon. Akkunen voi aiheuttaa näön menetyksen.
5. Älä oikosulje akkua.
  - (1) Älä koske akun napoihin millään sähköä johtavalla materiaalilla.
  - (2) Vältä akun oikosulkemista äläkä säilytä akkua yhdessä muiden metalliesineiden, kuten naulojen, kolikoiden ja niin edelleen kanssa.
  - (3) Älä aseta akkua alttiiksi vedelle tai sateelle.Oikosulku voi aiheuttaa virtapiikin, ylikuumentumista, palovammoja tai laitteen rikkoontumisen.
6. Älä säilytä työkalua ja akkua paikassa, jossa lämpötila voi nousta 50 °C:een tai sitäkin korkeammaksi.
7. Älä hävitä akkua polttamalla, vaikka se olisi pahoin vaurioitunut tai täysin loppuun kulunut. Avotuli voi aiheuttaa akun räjähtämisen.
8. Varo kolhimasta tai pudottamasta akkua.
9. Älä käytä viallista akkua.
10. Sisältyviä litium-ioni-akkuja koskevat vaarallisten aineiden lainsäädännön vaatimukset. Esimerkiksi kolmansien osapuolten huolintaliikkeiden tulee kaupallisissa kuljetuksissa noudattaa pakkaamista ja merkintöjä koskevia erityisvaatimuksia. Lähetettävän tuotteen valmistelu edellyttää vaarallisten aineiden asiantuntijan neuvontaa. Huomioi myös mahdollisesti yksityiskohtaisemmat kansalliset määräykset. Akun avoimet liittimet tulee suojata teipillä tai suojuksella ja pakkaaminen tulee tehdä niin, ettei akku voi liikkua pakkauksessa.

- Hävitä akku paikallisten määräysten mukaisesti.
- Käytä akkuja vain Makitan ilmoittamien tuotteiden kanssa. Akkujen asentaminen yhteensopimattomiin tuotteisiin voi aiheuttaa tulipalon, liiallisen ylikuumentumisen, räjähdyksen tai akkunestevuotoja.

## SÄILYTÄ NÄMÄ OHJEET.

**▲HUOMIO:** Käytä vain alkuperäisiä Makita-akkuja. Muiden kuin aitojen Makita-akkujen, tai mahdollisesti muutettujen akkujen käyttö voi johtaa akun murtumiseen ja aiheuttaa tulipaloja, henkilö- ja omaisuusvahinkoja. Se mitätöi myös Makita-työkalun ja -laturin Makita-takuun.

## Vihjeitä akun käyttöön pidentämiseksi

- Lataa akku ennen kuin se purkautuu täysin. Lopeta aina työkalun käyttö ja lataa akku, jos huomaat työkalun tehon vähenevän.
- Älä koskaan lataa uudestaan täysin ladattua akkua. Ylilataaminen lyhentää akun käyttöikää.
- Lataa akku huoneen lämpötilassa välillä 10 °C - 40 °C. Anna kuuman akun jäähtyä ennen lataamista.
- Lataa akkupaketti, jos et käytä sitä pitkään aikaan (yli kuusi kuukautta).

## OSIEN KUVAUS

### ► Kuva1

1	Kiinteä kiinnike	2	Siirrettävä kiinnike	3	Kierreleuka	4	Pultti
5	Koukku	6	Olkahihnan kiinnike (valinnaiselle lisävarusteelle)	7	Kuusioavain	8	Lamppu (sisällä)
9	Etupinta	10	Liipaisinkytkin	11	Pyörimissuunnan vaihtokytkin	12	Tangon ohjain
13	Ohjainasteikko	14	Kiristysruuvi	15	Suoja	-	-

## TOIMINTOJEN KUVAUS

**▲HUOMIO:** Varmista aina ennen säätöjä ja tarkastuksia, että työkalu on sammutettu ja akkupaketti irrotettu.

### Akun asentaminen tai irrottaminen

**▲HUOMIO:** Sammuta työkalu aina ennen akun kiinnittämistä tai irrottamista.

**▲HUOMIO:** Pidä työkalusta ja akusta tiukasti kiinni, kun irrotat tai kiinnität akkua. Jos akkupaketti tai työkalu putoaa, ne voivat vaurioitua tai aiheuttaa tapaturman.

- **Kuva2:** 1. Punainen merkivalo 2. Painike 3. Akkupaketti

Irrota akku painamalla akun etupuolella olevaa painiketta ja vetämällä akku ulos työkalusta.

Akku liitetään sovittamalla akun kieleke rungon uraan ja työntämällä se sitten paikoilleen. Työnnä akku pohjaan asti niin, että kuulet sen napsahdavan paikoilleen. Jos painikkeen yläpuolella näkyy punainen ilmaisin, akku ei ole lukkiutunut täysin paikoilleen.

**▲HUOMIO:** Työnnä akku aina pohjaan asti, niin että punainen ilmaisin ei enää näy. Jos akku ei ole kunnolla paikallaan, se voi pudota työkalusta ja aiheuttaa vammoja joko sinulle tai sivullisille.

**▲HUOMIO:** Älä käytä voimaa akun asennuksessa. Jos akku ei lii'u paikalleen helposti, se on väärässä asennossa.

### Työkalun/akun suojausjärjestelmä

Työkalu on varustettu työkalu/akun suojausjärjestelmällä. Tämä järjestelmä pidentää työkalun ja akun käyttöikää katkaisemalla automaattisesti moottorin virran. Työkalu pysähtyy automaattisesti kesken käytön, jos työkalussa tai akussa ilmenee jokin seuraavista tilanteista: Joissakin tilanteissa merkivalot syttyvät.

### Ylikuormitussuoja

Kun työkalua käytetään tavalla, joka saa sen kuluttamaan epätavallisen suuren määrän virtaa, työkalu pysähtyy automaattisesti ilman mitään merkivaloa tai ilmaisinta. Katkaise tässä tilanteessa työkalusta virta ja lopeta ylikuormitustilan aiheuttanut käyttö. Käynnistä sitten työkalu uudelleen kytkemällä siihen virta.

**HUOMAA:** Ylikuormitussuoja laukeaa, jos yrität leikata seuraavanlaisia kierretankoja.

- Kierretanko, jonka koko ylittää kierreleukojen koon.
- Kierretanko, jonka kovuus ylittää kierreleukojen kapasiteetin.

## Ylikuumenemissuoja

Kun laite ylikuumentuu, se pysähtyy automaattisesti ja LED-valo alkaa vilkkua. Anna laitteen jäähtyä, ennen kuin kytket sen uudelleen päälle.

## Ylipurkautumissuoja

Jos akun varaus käy vähiin, työkalu pysähtyy automaattisesti. Jos työkalu ei toimi, vaikka kytkimiä käytetään, irrota akut työkalusta ja lataa ne.

## Akun jäljellä olevan varaustason ilmaisimien

Vain akkupaketeille ilmaisimella

► **Kuva3:** 1. Merkkivalot 2. Tarkistuspainike

Painamalla tarkistuspainiketta saat näkyviin akun jäljellä olevan varauksen. Merkkivalot palavat muutaman sekunnin ajan.

Merkkivalot			Akussa jäljellä olevan varaus
Palaa	Pois päältä	Vilkkuu	
■	□	▬	75% - 100%
■ ■ ■ ■	□	□	50% - 75%
■ ■ □ □	□	□	25% - 50%
■ □ □ □	□	□	0% - 25%
▬ □ □ □	□	□	Lataa akku.
■ ■ □ □	□ □	□ □	Akussa on saattanut olla toimintahäiriö.
□ □ ■ ■	□ □	□ □	

**HUOMAA:** Ilmoitettu varaustaso voi erota hieman todellisesta varaustasosta sen mukaan, millaisissa oloissa ja missä lämpötilassa laitetta käytetään.

## Kytkeymisen käyttäminen

**HUOMIO:** Tarkista aina ennen akkupaketin asettamista työkaluun, että liipaisinkytkin kytkeytyy oikein ja palaa "OFF"-asentoon, kun se vapautetaan.

Käynnistä leikkuu jatkamalla liipaisinkytkimen painamista. Siirrettävän kiinnikkeen kierreleuka menee päällekin kiinteän kiinnikkeen kierreleuan kanssa ja palaa sitten lähtöasentoon. Jos vapautat liipaisinkytkimen ennen leikkuun valmistumista, kierreleuat pysähtyvät.

► **Kuva4:** 1. Liipaisinkytkin

► **Kuva5:** 1. Kiinteä kiinnike 2. Kierreleuka 3. Siirrettävä kiinnike

**HUOMAUTUS:** Älä käytä laitetta tarpeettomasti kuormittamattomana.

## Autopysähtymistoiminto

Kun jatkat liipaisinkytkimen painamista, leikkaimen leuka sulkeutuu, palautuu täysin avoimeen asentoon ja pysähtyy sitten. Vapauta kytkin ja paina sitä uudelleen, kun haluat aloittaa seuraavan leikkauksen.

## Pyörimissuunnan vaihtokytkin

**VAROITUS:** Aina kun laitetta ei käytetä, käännä pyörimissuunnan vaihtokytkin lukitusasentoon.

**HUOMIO:** Tarkista pyörimissuunnan vaihtokytkimen asento aina ennen laitteen käyttöä.

**HUOMAUTUS:** Älä käytä pyörimissuunnan vaihtokytkintä samalla, kun painat liipaisinkytkintä. Se voi vaurioittaa laitetta.

Aloita leikkaus asettamalla pyörimissuunnan vaihtokytkin leikkausasentoon. Käännä leikkaussuunta vastakkaiseksi asettamalla pyörimissuunnan vaihtokytkin peruutusasentoon. Kun jatkat liipaisinkytkimen painamista, kierreleuat avautuvat ja pysähtyvät sitten täysin avoimeen asentoon. Lukitse liipaisinkytkin asettamalla pyörimissuunnan vaihtokytkin lukitusasentoon. Tämä asento estää liipaisinkytkimen painamisen.

► **Kuva6:** 1. Pyörimissuunnan vaihtokytkin 2. Leikkuuasento 3. Lukitusasento 4. Peruutusasento

**HUOMAUTUS:** Kun pyörimissuunnan vaihtokytkin on peruutusasennossa, käytä laitetta vain sen ollessa välttämätöntä. Laitevaurioiden estämiseksi laite pysäytetään automaattisesti, jos sitä käytetään peruutusasennossa yhtäjaksoisesti.

**HUOMAA:** Jos vapautat liipaisinkytkimen leikkauksen jälkeen, kun kierreleuat ovat vasta avautumassa, ja asetat pyörimissuunnan vaihtokytkimen peruutusasentoon, leuka sulkeutuu kerran ja avautuu tämän jälkeen, kun painat liipaisinkytkintä seuraavan kerran.

## LED-valo

**HUOMIO:** Älä katso suoraan lampuun tai valonlähteeseen.

Lamppu syttyy, kun painat liipaisinkytkintä. Lamppu palaa niin kauan kuin liipaisinkytkintä painetaan. Lamppu sammuu noin 15 sekunnin kuluttua liipaisinkytkimen vapauttamisesta.

► **Kuva7:** 1. Lamppu (sisällä)

**HUOMAA:** Pyyhi lika pois linssistä kuivalla liinalla. Varo naarmuttamasta linssiä, ettei valoteho laske.

**HUOMAA:** Jos laite ylikuumentuu, lamppu alkaa vilkkua. Anna laitteen tällöin jäähtyä.

## Ohjainasteikko

Käytä ohjainasteikkoa, jos haluat leikata tasamittaisia kierretankoja. Aseta ohjainasteikko aukkoon kuvan osoittamalla tavalla.

► **Kuva8:** 1. Ohjainasteikko 2. Kiristysruuvi

Aseta haluamasi leikkauspituuden mukainen ohjainasteikon mitta leikkuuviivan kohdalle. Kiristä sitten kiristysruuvi.

► **Kuva9:** 1. Ohjainasteikko 2. Leikkuuviiva  
3. Kiristysruuvi

**⚠HUOMIO:** Älä kanna tai käsittele laitetta pitämällä kiinni ohjainasteikosta. Laitte voi pudota ja aiheuttaa henkilövahinkoja ja/tai vaurioittaa laitetta.

## Tangon ohjain

Kun haluat tehdä tarkkuusleikkauksia, aseta tangon ohjain leikkattavan kierretangon halkaisijan mukaiseen asentoon.

► **Kuva10:** 1. Tangon ohjain (asento 1) 2. Tangon ohjain (asento 2)

Tangon ohjain voi olla kahdessa eri asennossa.

Asento	Kierretangon koko
1	W3/8, M10
2	M8, M6

## Koukku

**⚠HUOMIO:** Älä koskaan jätä laitetta riippumaan koukusta tuuliseen paikkaan tai epävakaaile alustalle.

**⚠HUOMIO:** Älä käytä koukkuja, jos se on vääntynyt tai vaurioitunut.

**⚠HUOMIO:** Taita koukku aina kiinni, kun käytät laitetta.

Laitte voidaan kätevästi ripustaa koukusta väliaikaisesti.

► **Kuva11:** 1. Koukku

**⚠HUOMIO:** Älä ripusta koukkuja vyöhösi. Se voi aiheuttaa henkilövahinkoja ja/tai vaurioittaa työkalua, jos se putoaa.

► **Kuva12**

## Kuusioavaimen varastointi

Säilytä kuusioavainta kuvan osoittamassa paikassa sen katoamisen välttämiseksi.

► **Kuva13:** 1. Kuusioavain

## Olkahihna

### Lisävaruste

Olkahihna on käytännöllinen laitteen kantamista varten.

► **Kuva14:** 1. Olkahihna 2. Hihnan pää 3. Solki

**⚠HUOMIO:** Käytä olkahihnaa aina niin, että se kulkee vartalosi poikki, ja sopivan mittaiseksi säädettynä.

**⚠HUOMIO:** Älä käytä olkahihnaa, jos se on vaurioitunut.

**⚠HUOMIO:** Jätä hihnan päätä riittävästi ulos soljesta, jotta hihnan pää ei pääse luistamaan irti soljesta.

## KOKOONPANO

**⚠HUOMIO:** Varmista aina ennen mitään työkalulle tehtäviä toimenpiteitä, että se on sammutettu ja akku irrotettu.

## Kierreleukojen asennus

**⚠HUOMIO:** Asenna kierreleuat aina oikeaan suuntaan ja kiinnitä ne tiukasti. Virheellinen tai heikko kiinnitys voi aiheuttaa kierreleukojen rikkoutumisen, jolloin irti lentävät osat voivat aiheuttaa henkilövahinkoja.

**HUOMAUTUS:** Poista kierreleuoissa mahdollisesti olevat jäysteet tarvittaessa viilalla.

1. Tarkista, että kierreleuat ovat täysin avoinna. Jos niin ei ole, asenna akku paikalleen ja paina liipaisinkyntä, kunnes leuka on täysin avoinna.

**⚠HUOMIO:** Muista poistaa akkupaketti, jos joudut asettamaan sen paikalleen.

2. Aseta pyörimissuunnan vaihtokytkin lukitusasentoon.

► **Kuva15:** 1. Pyörimissuunnan vaihtokytkin

3. Avaa pultit mukana toimitetulla kuusioavaimella.

**⚠HUOMIO:** Käytä ainoastaan laitteen mukana toimitettua Makitan avainta. Muiden avainten käyttö voi johtaa ylikiristämiseen tai liian löysään kiinnitykseen, mikä voi johtaa henkilövahinkoihin.

4. Aseta kierreleuat kiinnikkeisiin niin, että kaksi värillistä merkintää on näkyvissä.

► **Kuva16:** 1. Pultti 2. Kierreleuka 3. Kiinteä kiinnike  
4. Siirrettävä kiinnike 5. Värillinen merkintä  
6. Kuusioavain

5. Kiinnitä kierreleuat tiukasti kiinni pulteilla.

Kierreleuat on asennettu oikein, kun niissä olevat nuolet osoittavat toisiaan kohti. Kierreleukojen mitat ovat identtiset, mutta ne näyttävät eripaksuisilta ylhäältä katsottuna.

► **Kuva17:** 1. Nuoli 2. Kierreleuka 3. Ohut puoli  
4. Paksu puoli



# TYÖSKENTELY

**▲HUOMIO:** Varmista aina, että laitteeseen asennetaan oikean kokoiset kierreleuat. Tarkista kierreleukojen leikkuukapasiteetti niissä olevista merkinnöistä ennen leikkaamista.

**▲HUOMIO:** Ennen kuin painat liipaisinkytkintä, asemoi kierretanko niin, että sen kierre asettuu kierreleukoihin. Virheellinen kierreasemointi voi rikkoo kierreleuat, jolloin irti lentävät osat voivat aiheuttaa henkilövahinkoja.

**▲HUOMIO:** Vaihda kierreleuat, jos niiden leikkuureunoissa on lovia tai ne ovat vääristyneet.

Kun leikkaat, aseta kierretanko kohtisuoraan leikkuvuivan kanssa kuvan mukaisesti.

► **Kuva18:** 1. Leikkuvuiva

**HUOMAA:** Kun leikkaat muovautuvasta metallista (kuten ruostumattomasta teräksestä) valmistettua kierretankoa, leikattuun päähän voi syntyä jäysteitä. Poista tällaiset jäysteet viilaamalla.

► **Kuva19:** 1. Kierretanko 2. Jäyste

## Kiinni olevien kierretankojen leikkaaminen

Kun leikkaat kierretankoa, joka on kiinni rakenteessa (esimerkiksi katossa, seinässä tai lattiassa), toimi seuraavasti:

► **Kuva20:** 1. Kierretanko 2. Kiinteän kiinnikkeen kierreleuka

1. Aseta laite niin, että kierretanko on kierreleukojen välissä.
2. Pidä kierretanko kiinni tangon ohjaimessa ja aseta tangon kierre kiinni kiinteässä kiinnikkeessä olevaan kierreleukaan.
3. Paina liipaisinkytkintä ja pidä sitä painettuna, kunnes leikkuu on valmis ja kierreleuat ovat avautuneet täysin.

**HUOMAUTUS:** Puhdista laitteen etupinta ja ohjainasteikon kärki ennen käyttöä. Muutoin ne voivat liata pintoja.

## Irtonaisten kierretankojen leikkaaminen

Kun leikkaat irtonaista kierretankoa lattialla tai työpöydällä, toimi seuraavasti:

► **Kuva21:** 1. Kierretanko 2. Kiinteän kiinnikkeen kierreleuka

1. Aseta kierretanko kierreleukojen väliin.
2. Pidä kierretanko kiinni tangon ohjaimessa ja aseta tangon kierre kiinni kiinteässä kiinnikkeessä olevaan kierreleukaan.

3. Paina liipaisinkytkintä ja pidä sitä painettuna, kunnes leikkuu on valmis ja kierreleuat ovat avautuneet täysin.

Jos leikattavan kierretangon kiinni pitäminen on vaikeaa, aseta laite kuvan mukaisesti. Laitteen voi asettaa tasaista pintaa vasten. Lisäksi suojusta voi käyttää kierretangon pään tukena.

► **Kuva22:** 1. Suojus (asento 1) 2. Tangon ohjain (asento 1) 3. Suojus (asento 2) 4. Tangon ohjain (asento 2)

Suojuksessa on sen asennon ilmaisevat merkinnät. Aseta suojus ja tangon ohjain seuraavan asennon mukaisiin asentoihin kierretangon koon mukaisesti.

Asento	Kierretangon koko
1	W3/8, M10
2	M8, M6

## Leikkaamisen lopettaminen kesken

**▲HUOMIO:** Älä koskaan yritä vetää laitetta irti kierretangosta väkisin. Se voi käynnistää laitteen odottamatta, mistä voi seurata henkilövahinkoja tai vaurioita kierreleukoihin ja laitteeseen.

Jos leikkaus on lopetettava kesken, aseta pyörimissuunnan vaihtokytkin peruutusasentoon ja paina liipaisinkytkintä, kunnes kierretanko on kokonaan irti kierreleukoista.

## KUNNOSSAPITO

**▲HUOMIO:** Varmista aina ennen tarkastusta tai huoltoa, että työkalu on sammutettu ja akku irrotettu.

**HUOMAUTUS:** Älä koskaan käytä bensiiniä, ohenteita, alkoholia tai tms. aineita. Muutoin pinta voi halkeilla tai sen värit ja muoto voivat muuttua. Muutoin laitteeseen voi tulla värjäytyymiä, muodon vääristymiä tai halkeamia.

## Kierreleukojen vaihtaminen

**HUOMAUTUS:** Vaihda molemmat leuat samanaikaisesti. Vain toisen puolen kierreleuan vaihtaminen voi aiheuttaa jäysteiden muodostumista kierretankoon.

Vaihda kierreleuat, kun ne loveentuvat tai vääntyvät tai kun leikkausteho heikkenee. Vaihda kierreleuat kohdan "Kierreleukojen asennus" ohjeiden mukaisesti.

► **Kuva23:** 1. Loveentuminen 2. Vääntyminen

Toisessa kierreleuassa on kaksi leikkureunaa sekä paksu ja ohut puoli. Vaihda kierreleukojen asennuspuolia, jos et ole käyttänyt leikkureunojen toista puolta.

► **Kuva24:** 1. Leikkureuna 2. Ohut puoli 3. Paksu puoli

## Laitteen kantaminen/varastoiminen

**⚠️HUOMIO:** Kun laitetta ei käytetä, kiinnitä sen mukana toimitettu suojaus aina leikkuuosan päälle.

Kiinnitä suojuksen myös, kun kannat laitetta. Kun laite varastoidaan, irrota akkupaketti ja ohjainasteikko laitteesta. Pyyhi pölyt kierreleuoista ja liikkuvasta osasta. Kiinnitä suoja sitten paikalleen.

► **Kuva25:** 1. Suoja

Tuotteen TURVALLISUUDEN ja LUOTETTAVUUDEN takaamiseksi korjaukset, muut huoltotyöt ja säädöt on teetettävä Makitan valtuutetussa huoltopisteessä Makitan varaosia käyttäen.

## LISÄVARUSTEET

**⚠️HUOMIO:** Seuraavia lisävarusteita tai laitteita suositellaan käytettäväksi tässä ohjeessa kuvatun Makita-työkalun kanssa. Muiden lisävarusteiden tai laitteiden käyttö voi aiheuttaa henkilövahinkoja. Käytä lisävarusteita ja -laitteita vain niiden käyttötarkoituksen mukaisesti.

Jos tarvitset apua tai yksityiskohtaisempia tietoja seuraavista lisävarusteista, ota yhteys paikalliseen Makitan huoltoon.

- Kierreleuat
- Olkahihna
- Aito Makitan akku ja laturi

**HUOMAA:** Jotkin luettelossa mainitut varusteet voivat sisältyä työkalun toimitukseen vakiovarusteina. Ne voivat vaihdella maittain.

## SPECIFIKĀCIJAS

Modelis:		DSC102
Griešanas jauda	Oglekļa tērauds	W3/8, M10, M8, M6
	Nerūsošais tērauds	W3/8, M8, M6
Kopējais garums		199 mm
Nominālais spriegums		Līdzstrāva 18 V Līdzstrāva 14,4 V
Tīrsvars		2,8 - 3,2 kg

- Nepārtrauktās izpētes un izstrādes programmas dēļ šeit uzrādītās specifikaģijas var tikt mainģtas bez brģdinģjuma.
- Atkarģbģ no valsts specifikaģijas var atšķģrties.
- Svavs var bģt atšķģrģgs atkarģbģ no papildierģces(-ģm), tostarp akumulatora kasetnes. Tabulģ ģr attģlota vieglģkģ smagģkģ kombinģcija atbģlstoģi EPTA procedģrai 01/2014.

## Piemģrotģ akumulatora kasetne un lģdģtģjs

Akumulatora kasetne	14,4 V lģdzstrģvas modelis	BL1415N / BL1430 / BL1430B / BL1440 / BL1450 / BL1460B
	18 V lģdzstrģvas modelis	BL1815N / BL1820 / BL1820B / BL1830 / BL1830B / BL1840 / BL1840B / BL1850 / BL1850B / BL1860B
Lģdģtģjs		DC18RC / DC18RD / DC18RE / DC18SD / DC18SE / DC18SF

- Daģi no iepriekģš norģdģtajiem lģdģtģjiem un akumulatora kasetnģm var nebģt pieejami atkarģbģ no jģsu mģtnes reģģona.

**▲BRģDINģJUMS:** Izmantoģiet vienģgi iepriekģš norģdģtģs akumulatora kasetnes un lģdģtģjus. Ģta tipa akumulatora kasetģu un lģdģtģģu izmantoģana var radģt traumu un/vai aizdegģšanās risku.

## Simboli

Zemģk ģr attģloti simboli, kas attģecas uz iekģrtu. Pirms darbarģķa izmantoģanas pģrlģcinģties, vai pareģzi ģprotat to noģģmi.



Izglasģiet lietoģanas rokasgrģmatu.



Izmantoģiet aizsargbrģlles.



Neskarģiet grieģanas blokus ekspluatģcijas laikģ.



Pievģrsģiet uzmanģbu nogriģztam vģtģotam stienģm.



Grieģanas laikģ netuvģnģiet seģu darbarģķam.



Tģki ES valģstģm  
Neģzmetģiet elektroģekģrtas vai akumulatoru mģjsaimniecģbas atkritumos!  
Saskaģģ ar Eiropas direktģvu par elektrģsko un elektronģsko iekģrtu atkritumiem, kģ arģ par baterģģm un akumulatoriem, un baterģģju un akumulatoru atkritumiem un to ģstenoģšanu saskaģģ ar valsts likumdoģšanu lietotais elektrģskģis aprģķojums, baterģģjas un akumulators kalpoģanas laģka beigģs jģsavģc atseviģģi un jģnogģdģ otrreizģģjai pģrģstrģdei vģdi saudģģjoģģ veidģ.

## Paredzģtģ lietoģana

ģģš darbarģķs ģr paredzģts vģtģotu stieģu grieģšanģ.

## Trokģņa lģmenģs

Tipģskģis A svģrtģis trokģņa lģmenģs noteģkts saskaģģ ar EN62841:

Skaģņas spģdģiena lģmeni ( $L_{pA}$ ): 71 dB (A)

Mainģģģums (K): 3 dB (A)

Darbģtģbas laikģ trokģņa lģmenģs var pģrsnģģt 80 dB (A).

**▲BRģDINģJUMS:** Lietoģiet ausu aizsargus.

## Vibrģcija

Vibrģcijas kopģģģ vģrtģba (trģsas vektora summa) noteģkta atbģlstoģi EN62841:

Darba reģģms: vģtģnota nerģusoģģ tģrauda stieģa grieģšana (stieģa izmģrs W3/8)

Vibrģcijas izmete ( $a_{h}$ ): 2,5 m/s<sup>2</sup> vai mazģk

Mainģģģums (K): 1,5 m/s<sup>2</sup>

**PIEZģME:** Paziģnotģ vibrģcijas emisģjas vģrtģba noteģkta atbģlstoģi standarta pģrbaudes metodei un to var izmantot, lai salģdzģnģtu vienu darbarģķu ar ģģtu.

**PIEZģME:** Paziģnoto vibrģcijas emisģjas vģrtģģbu arģ var izmantot ģedarbģtģbas sģkotnģģ novģrtģģģmģ.

**▲BRĪDINĀJUMS:** Reāli lietojot elektrisko darbarīku, vibrācijas emisija var atšķirties no paziņotās emisijas vērtības atkarībā no darbarīka izmantošanas veida.

**▲BRĪDINĀJUMS:** Lai aizsargātu lietotāju, nosakiet drošības pasākumus, kas pamatoti ar iedarbību reālos darba apstākļos (ņemot vērā visus ekspluatācijas cikla posmus, piemēram, laiku, kamēr darbarīks ir izslēgts un kad darbojas tukšgaitā, kā arī palaides laiku).

## EK atbilstības deklarācija

### Tikai Eiropas valstīm

EK atbilstības deklarācija šajā lietošanas rokasgrāmātā ir iekļauta kā A pielikums.

## DROŠĪBAS BRĪDINĀJUMI

### Vispārīgi elektrisko darbarīku drošības brīdinājumi

**▲BRĪDINĀJUMS:** Izlasiet visus drošības brīdinājumus, instrukcijas, apskatiet ilustrācijas un tehniskos datus, kas iekļauti mehanizētā darbarīka komplektācijā. Ja netiek ievēroti visi tālāk minētie noteikumi, var tikt izraisīta elektrotrauma, notikt aizdegšanās un/vai rasties smagas traumas.

## Glabājiet visus brīdinājumus un norādījumus, lai varētu tajos ieskatīties turpmāk.

Termiņš „elektrisks darbarīks” brīdinājumos attiecas uz tādu elektrisko darbarīku, ko darbina ar elektrību (ar vadu), vai tādu, ko darbina ar akumulatoru (bez vada).

## Drošības norādījumi vītņotu stieņu bezvada griezēja lietošanai

1. Darbarīku turiet cieši.
2. Cieši nostipriniet apstrādājamo materiālu.
3. Turiet seju un rokas drošā attālumā no kustīgām daļām. Griešanas laikā vītņota stieņa daļa var tikt izsviesta.
4. Rīkojoties ar vītņotiem stieņiem, vienmēr valkājiet cimdus. Apstrādājamā materiāla malas un skaidas ir asas.
5. Nenovietojiet darbarīku uz apstrādājamā materiāla skaidām. Pretējā gadījumā var izraisīt darbarīka bojājumus un darbības traucējumus.
6. Vienmēr pārliecinieties, ka jūsu kājām ir stabils atbalsts. Ja lietojat darbarīku, strādājot lielā augstumā virs zemes, pārliecinieties, ka apakšā neviena nav.
7. Griežējamai vai apstrādājamajam materiālam nedrīkst pieskarties tūlīt pēc apstrādes, jo tie var būt ļoti karsti un apdedzināt ādu.
8. Negrieziet elektrības vadus. Tā var izraisīt smagu savainojumu strāvas trieciena dēļ.

9. Vienmēr turiet vītņotu stieņi griešanas laikā un pēc tam, lai novērstu nogrieztā vītņota stieņa nokrišanu. Nogriezts vītņots stienis var izraisīt nopietnus ievainojumus, ja nokrīt no liela augstuma.
10. Ievērojiet drošu attālumu starp ķermeni un kustīgajām daļām. Neizmantojiet darbarīku, ja darba zona ir pārāk šaura, lai ievērotu drošu attālumu.
11. Nekad neatstājiet darbarīku lielā augstumā vai uz iespējami nestabilas virsmas.

## SAGLABĀJIET ŠOS NORĀDĪJUMUS.

**▲BRĪDINĀJUMS:** NEPIELĀUJIET to, ka labu iemaņu vai izstrādājuma labas pārzināšanas (darbarīku atkārtoti ekspluatējot) rezultātā vairs stingri neievērojāt šīs izstrādājuma drošības noteikumus.

NEPAREIZI LIETOJOT darbarīku vai neievērojot šajā instrukciju rokasgrāmātā minētos drošības noteikumus, var tikt gūtas smagas traumas.

## Svarīgi drošības norādījumi par akumulatora kasetni

1. Pirms akumulatora lietošanas izlasiet visus norādījumus un brīdinājumus, kuri attiecas uz (1) akumulatora lādētāju, (2) akumulatoru un (3) ierīci, kurā tiek izmantots akumulators.
  2. Neizjauciet akumulatoru.
  3. Ja akumulatora darbības laiks kļūva ievērojami sāks, nekavējoties pārtrauciet to izmantot. Citādi, tas var izraisīt pārkarsējumu, uzliesmojumu vai pat sprādzienu.
  4. Ja elektrolīts nonāk acīs, izskalojiet tās ar tīru ūdens un nekavējoties griezieties pie ārsta. Tas var izraisīt redzes zaudēšanu.
  5. Neradiet īssavienojumu akumulatora kasetnē:
    - (1) Nepieskarieties spaiļiem ar elektrību vadošiem materiāliem.
    - (2) Neuzglabājiet akumulatoru kasetni kopā ar citiem metāla priekšmetiem, tādiem kā naglas, monētas u. c.
    - (3) Nepakļaujiet akumulatora kasetni ūdens vai lietus iedarbībai.
- Akumulatora īssavienojums var radīt spēcīgu strāvas plūsmu, pārkarsānu, uzliesmojumu un pat sabojāt akumulatoru.
6. Neglabājiet darbarīku un akumulatora kasetni vietās, kur temperatūra var sasniegt vai pārsniegt 50 °C (122 °F).
  7. Nededziniet akumulatora kasetni, pat ja tā ir stipri bojāta vai pilnībā nolietota. Akumulatora kasetne uguni var eksplodēt.
  8. Uzmanieties, lai neļautu akumulatoram nokrist un nepakļautu to sitienam.
  9. Neizmantojiet bojātu akumulatoru.
  10. Uz izmantotajiem litiņa jonu akumulatoriem attiecas likumdošanas prasības par bīstamiem izstrādājumiem.

Komerציālā transportēšanā, ko veic, piemēram, trešās puses, transporta uzņēmumi, jāievēro uz iesaiņojuma un marķējuma norādītās īpašās prasības. Lai izstrādājumu sagatavotu nosūtīšanai, jāsazinās ar bīstamo materiālu speciālistu. Ievērojiet arī citus attiecināmos valsts normatīvus.

Valējus kontaktus nosedziet ar līmlenti vai citādi pārklājiet, bet akumulatoru iesaiņojiet tā, lai sainītas nevarētu izkustēties.

11. Ievērojiet vietējos noteikumus par akumulatora likvidēšanu.
12. Izmantojiet šos akumulatorus tikai ar izstrādājumiem, kurus norādījis Makita. Ievietojot šos akumulatorus nesaderīgos izstrādājumos, var rasties ugunsgrēks, pārmērīgs karstums, tie var uzsprāgt vai no tiem var iztecēt elektrolīts.

## SAGLABĀJIET ŠOS NORĀDĪJUMUS.

**⚠UZMANĪBU:** Lietojiet tikai oriģinālos Makita akumulatorus. Ja lietojat neoriģinālus Makita akumulatorus vai pārveidotus akumulatorus, tie var uzsprāgt un izraisīt aizdegšanos, traumas un materiālos zaudējumus. Tīks anulēta arī Makita darbarīka un lādētāja garantija.

## Ieteikumi akumulatora kalpošanas laika pagarināšanai

1. Uzlādējiet akumulatora kasetni, pirms tā ir pilnībā izlādējusies. Vienmēr, kad ievērojāt, ka darbarīka darba jauda zudusi, apturiet darbarīku un uzlādējiet akumulatora kasetni.
2. Nekad neuzlādējiet pilnībā uzlādētu akumulatora kasetni. Pārmērīga uzlāde saīsina akumulatora kalpošanas laiku.
3. Uzlādējiet akumulatora kasetni istabas temperatūrā 10 °C - 40 °C. Karstai akumulatora kasetnei pirms uzlādes ļaujiet atdzist.
4. Uzlādējiet litiņa jonu akumulatora kasetni, ja to ilgstoši nelietosit (vairāk nekā sešus mēnešus).

## DETAĻU APRAKSTS

### ► Att.1

1	Nekustīgs turētājs	2	Kustīgs turētājs	3	Griešanas bloks	4	Bultskrūve
5	Āķis	6	Plecu siksnas pamatnes vietas (papildpiederumam)	7	Sešstūru uzgriežņu atslēga	8	Lampa (iekšpusē)
9	Priekšējā daļa	10	Slēdža mēlīte	11	Griešanās virziena pārslēdzēja svira	12	Stieņa vadotne
13	Vadotnes skala	14	Saspiedējskrūve	15	Pārsegs	-	-

## FUNKCIJU APRAKSTS

**⚠UZMANĪBU:** Pirms darbarīka regulēšanas vai tā darbības pārbaudes vienmēr pārlicinieties, ka darbarīks ir izslēgts un akumulatora kasetne ir izņemta.

### Akumulatora kasetnes uzstādīšana un izņemšana

**⚠UZMANĪBU:** Vienmēr pirms akumulatora kasetnes uzstādīšanas vai noņemšanas izslēdziet darbarīku.

**⚠UZMANĪBU:** Uzstādot vai izņemot akumulatora kasetni, darbarīku un akumulatora kasetni turiet cieši. Ja darbarīku un akumulatora kasetni netur cieši, tie var izkrist no rokām un radīt bojājumus darbarīkam un akumulatora kasetnei, kā arī izraisīt ievainojumus.

- **Att.2:** 1. Sarkanās krāsas indikators 2. Poga 3. Akumulatora kasetne

Lai izņemtu akumulatora kasetni, izvelciet to no darbarīka, pārbidot kasetnes priekšpusē esošo pogu.

Lai uzstādītu akumulatora kasetni, salāgojiet mēlīti uz akumulatora kasetnes ar rievu ietvarā un iebīdīet to vietā. Ievietojiet to līdz galam, līdz tā ar klikšķi nofiksējas. Ja pogas augšējā daļā redzams sarkanās krāsas indikators, tas nozīmē, ka tā nav pilnīgi fiksēta.

**⚠UZMANĪBU:** Vienmēr ievietojiet akumulatora kasetni tā, lai sarkanais indikators nebūtu redzams. Pretējā gadījumā tā var nejauši izkrist no darbarīka un izraisīt jums vai apkārtējiem traumas.

**⚠UZMANĪBU:** Neievietojiet akumulatora kasetni ar spēku. Ja kasetne neslīd ietvarā viegli, tā nav pareizi ielikta.

### Darbarīka/akumulatora aizsardzības sistēma

Darbarīks ir aprīkots ar darbarīka/akumulatora aizsardzības sistēmu. Šī sistēma automātiski izslēdz jaudas padevi motoram, lai pagarinātu darbarīka un akumulatora kalpošanas laiku. Darbarīks automātiski pārstās darboties ekspluatācijas laikā, ja darbarīku vai akumulatoru pakļaus kādam no šiem apstākļiem. Dažu apstākļu gadījumā izgaismojas indikatori.

### Aizsardzība pret pārslodzi

Ja darbarīku ekspluatācijas laikā lieto tādā veidā, ka tas saista pārmērīgu strāvu, darbarīks automātiski pārstāj darboties bez jebkādam norādēm. Šādā gadījumā izslēdziet darbarīku un pārtrauciet darbību, kas izraisīja darbarīka pārslodzi. Tad ieslēdziet darbarīku, lai atsāktu darbu.

**PIEZĪME:** Aizsardzība pret pārslodzi iedarbojas, ja mēģināt griezt tālāk norādītos vītņotu stienju veidus.

- Vītņotu stieni, kas ir lielāks nekā griešanas bloku izmērs.
- Vītņotu stieni, kas ir cietāks nekā griešanas bloku griešanas veiktspēja.

## Aizsardzība pret pārkaršanu

Ja darbarīks ir pārkaršis, tas automātiski izslēdzas un sāks mirgot LED. Pirms atkārtotas ieslēgšanas ļaujiet darbarīkam atdzist.

## Aizsardzība pret akumulatora pārmērīgu izlādi









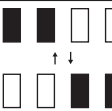
Kad akumulatora jauda ir zema, darbarīks automātiski pārstāj darboties. Ja darbarīks nedarbojas, pat ieslēdzot slēdžu, no darbarīka izņemiet akumulatoru un veiciet akumulatoram uzlādi.

## Atlikušās akumulatora jaudas indikators

**Tikai akumulatora kasetnēm ar indikatoru**

► **Att.3:** 1. Indikatora lampas 2. Pārbaudes poga

Nospiediet akumulatora kasetnes pārbaudes pogu, lai pārbaudītu akumulatora atlikušo uzlādes līmeni. Indikatori iedegsies uz dažām sekundēm.

Indikatora lampas			Atlikusī jauda
 Iededzies	 Izslēgts	 Mirgo	
			No 75% līdz 100%
			No 50% līdz 75%
			No 25% līdz 50%
			No 0% līdz 25%
			Uzlādējiet akumulatoru.
			Iespējama akumulatora kļūme.

**PIEZĪME:** Reālā jauda var nedaudz atšķirties no norādītās atkarībā no lietošanas apstākļiem un apkārtējās temperatūras.

## Slēdža darbība

**▲UZMANĪBU:** Pirms akumulatora kasetnes uzstādīšanas darbarīkā vienmēr pārbaudiet, vai slēdža mēlīte darbojas pareizi un pēc atlaišanas atgriežas stāvoklī „OFF” (izslēgts).

Lai sāktu griešanu, nospiediet slēdža mēlīti. Griešanas bloks uz kustīgā turētāja pārklājas ar bloku uz nekustīgā turētāja un tad atgriežas sākumpozīcijā. Ja atļaidīsiet slēdža mēlīti pirms griešana ir pabeigta, griešanas bloki apstāsies.

► **Att.4:** 1. Slēdža mēlīte

► **Att.5:** 1. Nekustīgs turētājs 2. Griešanas bloks 3. Kustīgs turētājs

**IEVĒRĪBAI:** Lieki nedarbiniet darbarīku bez slodzes.

## Automātiskās apturēšanas funkcija

Ja turpināt spiest slēdža mēlīti, bloku spīles vienu reizi aizveras un atgriežas pilnībā atvērtā pozīcijā, tad apstājas. Atļaidiet mēlīti un nospiediet vēlreiz, lai sāktu nākamo griešanu.

## Griešanās virziena pārslēdzēja svira

**▲BRĪDINĀJUMS:** Kamēr darbarīks netiek izmantots, vienmēr uzstādiēt griešanās virziena pārslēdzēja sviru bloķētā pozīcijā.

**▲UZMANĪBU:** Pirms darba uzsākšanas vienmēr pārbaudiet griešanās virziena pārslēdzēja sviras pozīciju.

**IEVĒRĪBAI:** Nekustiniet griešanās virziena pārslēdzēja sviru, kad tiek nospiesta slēdža mēlīte. Tas var radīt bojājumus darbarīkam.

Lai sāktu griešanu, iestatiet griešanās virziena pārslēdzēja sviru griešanas pozīcijā.

Lai mainītu griešanas virzienu, iestatiet griešanās virziena pārslēdzēja sviru atpakaļgaitas pozīcijā. Ja turpināt spiest slēdža mēlīti, bloku spīles atveras un apstājas pilnībā atvērtā pozīcijā.

Lai nobloķētu slēdža mēlīti, iestatiet griešanās virziena pārslēdzēja sviru bloķētā pozīcijā. Šajā pozīcijā slēdža mēlīti nevar nospiest.

► **Att.6:** 1. Griešanās virziena pārslēdzēja svira 2. Griešanas pozīcija 3. Bloķēšanas pozīcija 4. Atpakaļgaitas pozīcija

**IEVĒRĪBAI:** Ja griešanās virziena pārslēdzēja svira atrodas atpakaļgaitas pozīcijā, darbiniet darbarīku tikai, kad nepieciešams. Lai novērstu bojājumus darbarīkam, tas automātiski apturēs darbību, ja tiek nepārtraukti darbināts atpakaļgaitas pozīcijā.

**PIEZĪME:** Ja pēc griešanas atļaidīsiet slēdža mēlīti, kamēr griešanas bloku spīles atveras, un tad iestatīsiet griešanās virziena pārslēdzēja sviru atpakaļgaitas pozīcijā, spīles vienu reizi aizvērsies un tad atvērsies, kad vēlreiz nospiedīsiet slēdža mēlīti.

## Gaismas diožu apgaismojums

**⚠UZMANĪBU:** Neskatieties gaismā, neļaujiet tās avotam iespīdēt acīs.

Nospiediet slēdža mēlīti, lai ieslēgtu lampu. Kamēr slēdža mēlīte ir nospiesta, lampa deg. Apmēram 15 sekundēs pēc slēdža mēlītes atlaišanas lampa izslēdzas.

► **Att.7:** 1. Lampa (iekšpusē)

**PIEZĪME:** Ar sausu lupatīņu notīriet netīrumus no lampas lēcas. Izvairieties saskrāpēt lampas lēcu, jo tādējādi tiek samazināts apgaismojums.

**PIEZĪME:** Ja darbarīks ir pārkaršis, lampa mirgos. Tādā gadījumā ļaujiet darbarīkam atdzist.

## Vadotnes skala

Izmantojiet vadotnes skalu, ja vēlaties vītņotus stieņus griezt vienādā garumā. Ievietojiet vadotnes skalu atverē, kā attēlots.

► **Att.8:** 1. Vadotnes skala 2. Saspiedējskrūve

Uz vadotnes skalas savietojiet vēlamā garuma vērtību ar griešanas līniju. Tad pievelciet saspiedējskrūvi.

► **Att.9:** 1. Vadotnes skala 2. Griešanas līnija 3. Saspiedējskrūve

**⚠UZMANĪBU:** Neturiet vadotnes skalu, lai nestu darbarīku vai rīkotos ar to. Darbarīks var nokrist un tikt bojāts un/vai izraisīt savainojumus.

## Stieņa vadotne

Precīzai griešanai, iestatiet stieņa vadotni pozīcijā atkarībā no griešanai paredzētā vītņota stieņa diametra.

► **Att.10:** 1. Stieņa vadotne (1. pozīcija) 2. Stieņa vadotne (2. pozīcija)

Ir divas stieņa vadotnes pozīcijas.

Pozīcija	Vītņota stieņa izmērs
1	W3/8, M10
2	M8, M6

## Āķis

**⚠UZMANĪBU:** Nekad nelieciet darbarīku uz āķa vējainā vietā vai uz iespējami nestabilas virsmas.

**⚠UZMANĪBU:** Neizmantojiet āķi, ja tas ir deformēts vai bojāts.

**⚠UZMANĪBU:** Vienmēr salokiet āķi, kad neizmantojat darbarīku.

Āķis noder, ja darbarīks ir jāpakarina uz neilgu laiku.

► **Att.11:** 1. Āķis

**⚠UZMANĪBU:** Nekariniet āķi aiz jostas. Tas var izraisīt savainojumus un/vai bojājumus darbarīkam, ja tas tiek nomests.

► **Att.12**

## Sešstūru uzgriežņu atslēgas uzglabāšana

Kad sešstūrveida uzgriežņu atslēga netiek lietota, glabāiet to, kā parādīts, lai atslēgu nepazaudētu.

► **Att.13:** 1. Sešstūru uzgriežņu atslēga

## Pleca sikсна

### Papildu piederumi

Pleca sikсна ir noderīga darbarīka nešanai.

► **Att.14:** 1. Pleca sikсна 2. Siksnas gals 3. Sprādze

**⚠UZMANĪBU:** Vienmēr nēsājiet plecu siksnu šķērsām pāri ķermenim un pielāgotu pareizā garumā.

**⚠UZMANĪBU:** Neizmantojiet plecu siksnu, ja tā ir bojāta.

**⚠UZMANĪBU:** Atstājiet pietiekošu garumu starp sprādzi un siksnas galu, lai novērstu siksnas gala izslīdēšanu caur sprādzi.

## MONTĀŽA

**⚠UZMANĪBU:** Pirms darbarīka regulēšanas vai apkopes vienmēr pārlicinieties, ka darbarīks ir izslēgts un akumulatora kasetne ir izņemta.

## Griešanas bloku uzstādīšana

**⚠UZMANĪBU:** Griešanas blokus vienmēr uzstādiat pareizos virzienos un droši nofiksētos. Nepareiza vai vaļīga piestiprināšana var izraisīt griešanas bloku salūšanu, izraisot savainojumus no izvīstēm daļām.

**IEVĒRĪBAI:** Atskarpes uz griešanas blokiem, ja tādas ir, noņemiet, izmantojot vīli.

1. Pārbaudiet, vai griešanas bloku spailes ir pilnībā atvērtas. Ja nav, tad uzstādiat akumulatoru, nospiediet slēdža mēlīti, līdz spailes ir pilnībā atvērtas.

**⚠UZMANĪBU:** Ja uzstādījāt akumulatora kasetni, raugieties, lai tā ir noņemta.

2. Iestatiet griešanās virziena pārslēdzēja sviru bloķēšanas pozīcijā.

► **Att.15:** 1. Griešanās virziena pārslēdzēja svira

3. Atskrūvējiet bultskrūves, izmantojot komplektā iekļauto sešstūru uzgriežņu atslēgu.

**⚠UZMANĪBU:** Izmantojiet tikai Makita komplektā iekļautās uzgriežņu atslēgas. Citu uzgriežņu atslēgu izmantošana var pievilkt skrūves pārāk cieši vai nepietiekami cieši, kas var izraisīt savainojumus.

4. Uzlieciet griešanas blokus uz turētājiem, lai var redzēt divas iekrāsotas atzīmes.

- **Att.16:** 1. Bultskrūve 2. Griešanas bloks  
3. Nekustīgs turētājs 4. Kustīgs turētājs  
5. Iekrāsota atzīme 6. Sešstūru uzgriežņu atslēga

5. Ar bultskrūvēm cieši pieskrūvējiet griešanas blokus.

Griešanas bloki ir uzstādīti pareizi, ja bultiņas uz tiem norāda vienu uz otru. Griešanas bloku izmēri ir vienādi, bet to biežums, skatoties no augšas, var šķist atšķirīgs.

- **Att.17:** 1. Bultiņa 2. Griešanas bloks 3. Šaurā puse  
4. Platā puse

## EKSPLUATĀCIJA

**⚠UZMANĪBU:** Pārliecinieties, vai uz darbarīka ir uzstādīti pareiza izmēra griešanas bloki. Pirms griešanas pārbaudiet griešanas jaudu, kas norādīta uz griešanas blokiem.

**⚠UZMANĪBU:** Pirms slēdža mēlītes nospiešanas, raugieties, lai vītņota stieņa vītņš sader ar griešanas bloku vītņiem. Nepareizs vītņu novietojums var salauzt griešanas blokus un izraisīt savainojumus no izvīstām daļām.

**⚠UZMANĪBU:** Ja griezējama ir sašķelta vai deformēta, nomainiet griešanas blokus.

Griešanas laikā novietojiet vītņotu stieni perpendikulārī griešanas līnijai, kā attēlots.

- **Att.18:** 1. Griešanas līnija

**PIEZĪME:** Griežot vītņotu stieni no elastīga metāla, piemēram, nerušošā tērauda, uz griezuma malas var veidoties atskarpes. Tādā gadījumā noņemiet atskarpes, izmantojot vīli.

- **Att.19:** 1. Vītņots stienis 2. Atskarpes

## Nostiprinātu vītņotu stieņu griešana

Griežot vītņotu stieni, kas ir nostiprināts ēkas struktūrā, piemēram, griestos, sienā, grīdā u. c., ievērojiet procedūru tālāk.

- **Att.20:** 1. Vītņots stienis 2. Griešanas bloks uz nekustīgā turētāja

1. Novietojiet darbarīku tā, lai vītņots stienis atrodas starp griešanas blokiem.
2. Kamēr vītņots stienis saskaras ar stieņa vadotni, savietojiet stieņa vītņi ar vītņi uz griešanas bloka, kas ir uz nekustīgā turētāja.
3. Palaidiet un turiet slēdža mēlīti, līdz griešana ir pabeigta un griešanas bloku spaiļi ir pilnībā atvērtā pozīcijā.

**IEVĒRĪBAI:** Notīriet darbarīka priekšējo daļu un vadotnes skalas galu pirms lietošanas. Tie var nosmērēt saskares virsmu.

## Nenostiprinātu vītņotu stieņu griešana

Griežot nenostiprinātu vītņotu stieni uz grīdas vai darba galda, ievērojiet tālāk norādīto procedūru.

- **Att.21:** 1. Vītņots stienis 2. Griešanas bloks uz nekustīgā turētāja

1. Novietojiet vītņotu stieni starp griešanas blokiem.
2. Kamēr vītņots stienis saskaras ar stieņa vadotni, savietojiet stieņa vītņi ar vītņi uz griešanas bloka, kas ir uz nekustīgā turētāja.
3. Palaidiet un turiet slēdža mēlīti, līdz griešana ir pabeigta un griešanas bloku spaiļi ir pilnībā atvērtā pozīcijā.

Griežot garu vītņotu stieni, ko ar rokām grūti noturēt vietā, novietojiet darbarīku, kā attēlots. Darbarīku var novietot uz sāniem. Pārsegu arī var izmantot, lai atbalslētu vītņota stieņa galu.

- **Att.22:** 1. Pārsegs (1. pozīcija) 2. Stieņa vadotne (1. pozīcija) 3. Pārsegs (2. pozīcija) 4. Stieņa vadotne (2. pozīcija)

Pārsegam ir atzīmes, kas norāda tā pozīciju. Atkarībā no vītņotā stieņa izmēra, novietojiet pārsegu un arī stieņa vadotni pozīcijā, kas norādīta tabulā.

Pozīcija	Vītņota stieņa izmērs
1	W3/8, M10
2	M8, M6

## Griešanas pārtraukšana griešanas procesa laikā

**⚠UZMANĪBU:** Nekad ar spēku nemēģiniet izvilkt darbarīku no vītņota stieņa. Tas var izraisīt negaidītu ieslēgšanos, kas var izraisīt savainojumus vai bojājumus griešanas blokiem un darbarīkam.

Pārtraucot griešanu griešanas procesa laikā, iestatiet griešanās virziena pārslēdzēja sviru atpakaļgaitas pozīcijā un nospiediet slēdža mēlīti, līdz griešanas bloki pilnībā atbrīvo vītņotu stieni.

## APKOPE

**⚠UZMANĪBU:** Pirms darbarīka pārbaudes vai apkopes vienmēr pārliecinieties, ka darbarīks ir izslēgts un akumulatora kasetne ir izņemta.

**IEVĒRĪBAI:** Nekad neizmantojiet gazoļīnu, benzīnu, atšķaidītāju, spirtu vai līdzīgus šķidrumus. Tas var radīt izbalēšanu, deformāciju vai plaisas.



## Griešanas bloku nomaiņa

**IEVĒRĪBAI:** Abus griešanas blokus nomainiet vienlaicīgi. Nomainot viena griešanas bloka pusi, var veidot atskarpes uz vītņotā stienā.

Kad griešanas bloki ir sašķelti, deformēti vai griešana nav precīza, nomainiet griešanas blokus. Lai nomainītu, izpildiet norādes sadaļā „Griešanas bloku uzstādīšana”.

► **Att.23:** 1. Šķelšanās 2. Deformācija

Vienam griešanas blokam ir divas griezējmalas un šaurā un platā mala. Samainiet griešanas bloku uzstādīšanas pozīcijas, ja neesat izmantojiet otras griezējmalu puses.

► **Att.24:** 1. Griezējmalā 2. Šaurā puse 3. Platā puse

## Darbarīka glabāšana/nešana

**UZMANĪBU:** Kad darbarīku neizmantojat, vienmēr uzstādiēt komplektā iekļauto pārsegu griešanas daļai.

Nesot darbarīku, uzstādiēt pārsegu. Glabājot darbarīku, noņemiet akumulatora kasetni un vadotnes skalu no darbarīka. Notīriet putekļus no griešanas blokiem un kustīgām daļas. Pēc tam uzstādiēt pārsegu.

► **Att.25:** 1. Pārsegs

Lai saglabātu izstrādājuma DROŠU un UZTICAMU darbību, remontdarbus, apkopi un regulēšanu uzticiet veikt tikai Makita pilnvarotam vai rūpnīcas apkopes centram, un vienmēr izmantojiet tikai Makita rezerves daļas.

## PAPILDU PIEDERUMI

**UZMANĪBU:** Šādi piederumi un papildierīces tiek ieteiktas lietošanai ar šajā rokasgrāmatā aprakstīto Makita darbarīku. Izmantojot citus piederumus vai papildierīces, var tikt radīta traumu gūšanas bīstamība. Piederumu vai papildierīci izmantojiet tikai paredzētajam mērķim.

Ja jums vajadzīga palīdzība vai precīzāka informācija par šiem piederumiem, vērsieties savā tuvākajā Makita apkopes centrā.

- Griešanas bloki
- Pleca sikсна
- Makita oriģinālais akumulators un lādētājs

**PIEZĪME:** Daži sarakstā norādītie izstrādājumi var būt iekļauti instrumenta komplektācijā kā standarta piederumi. Tie dažādās valstīs var būt atšķirīgi.

## SPECIFIKACIJOS

Modelis:		DSC102
Pjovimo pajėgumai	Mažaanglis plienas	W3/8, M10, M8, M6
	Nerūdijantis plienas	W3/8, M8, M6
Bendrasis ilgis		199 mm
Vardinė įtampa		Nuol. sr. 18 V Nuol. sr. 14,4 V
Grynasis svoris		2,8 - 3,2 kg

- Atliekame tęstinius tyrimus ir nuolatos tobuliname savo gaminius, todėl čia pateikiamos specifikacijos gali būti keičiamos be įspėjimo.
- Skirtingose šalyse specifikacijos gali skirtis.
- Svoris gali priklausyti nuo priedo (-ų), įskaitant akumuliatoriaus kasetę. Lengviausias ir sunkiausias deriniai pagal EPTA 2014 m. sausio mėn. procedūrą yra parodyti lentelėje.

## Tinkama akumuliatoriaus kasetė ir (arba) įkroviklis

Akumuliatoriaus kasetė	Nuol. sr. 14,4 V modelis	BL1415N / BL1430 / BL1430B / BL1440 / BL1450 / BL1460B
	Nuol. sr. 18 V modelis	BL1815N / BL1820 / BL1820B / BL1830 / BL1830B / BL1840 / BL1840B / BL1850 / BL1850B / BL1860B
Įkroviklis		DC18RC / DC18RD / DC18RE / DC18SD / DC18SE / DC18SF

- Atsižvelgiant į gyvenamosios vietos regioną, kai kurios pirmiau nurodytos akumuliatoriaus kasetės ir įkrovikliai gali būti neprieinami.

**ĮSPĖJIMAS:** Naudokite tik akumuliatoriaus kasetes ir įkroviklius, kurie nurodyti anksčiau. Naudojant bet kurias kitas akumuliatoriaus kasetes ir įkroviklius, gali kilti sužeidimo ir gaisro pavojus.

## Simboliai

Toliau yra nurodyti įrangai naudojami simboliai. Prieš naudodami įsitikinkite, ar suprantate jų reikšmę.



Perskaitykite instrukcijų vadovą.



Užsidėkite apsauginius akinius.



Dirbdami nelieskite pjovimo antgalio.



Stebėkite pjaunamą sriegiuotą strypą.



Dirbdami neprikirkite veido prie įrankio.



Taikoma tik ES šalims  
Neišmeskite elektros įrangos arba akumuliatoriaus bloko į buitinius šiukšlynus!  
Atsižvelgiant į ES direktyvas dėl elektros ir elektroninės įrangos atliekų, dėl baterijų ir akumuliatorių bei baterijų ir akumuliatorių atliekų ir šių direktyvų siekių įgyvendinimą pagal nacionalinius įstatymus, elektros įrangos ir baterijų bei akumuliatorių atliekas būtina surinkti atskirai nuo kitų buitinių atliekų ir atiduoti į antrinių žaliavų perdirbimo aplinkai nekenksmingu būdu punktą.

## Numatytoji naudojimo paskirtis

Šis įrankis skirtas sriegiuotiems strypams pjauti.

## Triukšmas

Įprastas triukšmo A lygis, nustatytas pagal EN62841:  
Garso slėgio lygis ( $L_{pA}$ ): 71 dB (A)  
Paklaida (K): 3 dB (A)

Dirbant triukšmo lygis gali viršyti 80 dB (A).

**ĮSPĖJIMAS:** Dėvėkite ausų apsaugą.

## Vibracija

Vibracijos bendroji vertė (triaušo vektoriaus suma) nustatyta pagal EN62841 standartą:  
Darbo režimas: nerūdijančiojo plieno sriegiuoto strypo pjovimas (strypo dydis W3/8)  
Vibracijos emisija ( $a_{hv}$ ): 2,5 m/s<sup>2</sup> arba mažiau  
Paklaida (K): 1,5 m/s<sup>2</sup>

**PASTABA:** Paskelbtasis vibracijos emisijos dydis nustatytas pagal standartinį testavimo metodą ir jį galima naudoti vienam įrankiui palyginti su kitu.

**PASTABA:** Paskelbtasis vibracijos emisijos dydis taip pat gali būti naudojamas preliminariai įvertinti vibracijos poveikį.

**⚠️ ĮSPĖJIMAS:** Faktiškai naudojant elektrinį įrankį, keliamos vibracijos dydis gali skirtis nuo paskelbtojo dydžio, priklausomai nuo būdų, kuriais yra naudojamas šis įrankis.

**⚠️ ĮSPĖJIMAS:** Siekdami apsaugoti operatorių, būtina įvertinkite saugos priemones, remdamiesi vibracijos poveikio įvertinimu esant faktinėms naudojimo sąlygoms (atsižvelgdami į visas darbo ciklo dalis, pavyzdžiui, ne tik kiek laiko įrankis veikia, bet ir kiek kartų jis yra išjungiamas bei kai jis veikia be apkrovų).

## EB atitikties deklaracija

### Tik Europos šalims

EB atitikties deklaracija yra pridama kaip šio instrukcijų vadovo A priedas.

## SAUGOS ĮSPĖJIMAI

### Bendrieji įspėjimai dirbant elektriniais įrankiais

**⚠️ ĮSPĖJIMAS:** Perskaitykite visus saugos įspėjimus, instrukcijas, iliustracijas ir techninius duomenis, pateiktus kartu su šiuo elektriniu įrankiu. Nesilaikant visų toliau išvardytų instrukcijų galima patirti elektros smūgį, gali kilti gaisras ir (arba) galima sunkiai susižaloti.

## Išsaugokite visus įspėjimus ir instrukcijas, kad galėtumėte jas peržiūrėti ateityje.

Terminas „elektrinis įrankis“ pateiktuose įspėjimuose reiškia į maitinimo tinklą jungiamą (laidinį) elektrinį įrankį arba akumuliatoriaus maitinamą (belaidį) elektrinį įrankį.

### Saugos įspėjimai dėl belaidžio sriegiuotų strypų pjaustyvo

1. Tvirtai laikykite įrankį.
2. Tvirtai pritvirtinkite ruošinį.
3. Saugokite veidą ir rankas nuo judamųjų dalių. Pjaunant gali nulėkti sriegiuoto strypo dalėlė.
4. Imdami sriegiuotus strypus, visuomet mūvėkite pirštines. Kirpinio kraštai ir drožlės yra aštrūs.
5. Nedėkite įrankio ant ruošinio nuolaužų. Antraip galima žala įrankiui ir jo triktys.
6. Būtinai įsitikinkite, kad tvirtai stovite. Jei naudojate įrankį aukštai, įsitikinkite, ar apačioje nėra žmonių.
7. Nelieskite pjovimo krašto arba ruošinio iškart po naudojimo; jie gali būti itin karšti ir nudeginėti odą.
8. Nepjaukite elektros laidų. Elektros smūgis gali būti nelaimingo atsitikimo priežastis.
9. Pjaudami ir nupjovę, visada laikykite sriegiuotą strypą, kad strypas nenukristų. Iš aukštai nukritęs nupjautas sriegiuotas strypas gali sunkiai sužaloti.

10. Stovėkite saugiu atstumu nuo judamųjų dalių. Nenaudokite įrankio, jei darbo vieta per siaura saugiam atstumui išlaikyti.
11. Niekada nepalikite įrankio labai aukštai arba nedėkite ant paviršiaus, kuris gali būti nestabilus.

## SAUGOKITE ŠIAS INSTRUKCIJAS.

**⚠️ ĮSPĖJIMAS:** NELEISKITE, kad patogumas ir gaminio pažinimas (įgyjamas pakartotinai naudojant) susilpnintų griežtą saugos taisyklių, taikytinų šiam gaminiui, laikymąsi.  
Dėl NETINKAMO NAUDOJIMO arba saugos taisyklių, kurios pateiktos šioje instrukcijoje, nesilaikymo galima rimtai susižeisti.

### Svarbios saugos instrukcijos, taikomos akumuliatoriaus kasetei

1. Prieš naudodami akumuliatoriaus kasetę, perskaitykite visas instrukcijas ir perspėjimus ant (1) akumuliatorių įkroviklio, (2) akumuliatorių ir (3) akumuliatorių naudojančio gaminio.
  2. Neardykite akumuliatoriaus kasetės.
  3. Jei įrankio darbo laikas žymiai sutrumpėjo, nedelsdami nutraukite darbą su įrankiu. Tai gali kelti perkaitimo, nudegimų ar net sprogmio pavojų.
  4. Jei elektrolitas pateko į akis, plaukite jas tyru vandeniu ir nedelsdami kreipkitės į gydytoją. Gali kilti regėjimo praradimo pavojus.
  5. Neužtrumpinkite akumuliatoriaus kasetės:
    - (1) Nelieskite kontaktų degiomis medžiagomis.
    - (2) Venkite laikyti akumuliatoriaus kasetę kartu su kitais metaliniais daiktais, pavyzdžiui, vinimis, monetomis ir pan.
    - (3) Saugokite akumuliatoriaus kasetę nuo vandens ir lietaus.
- Trumpasis jungimas akumuliatoriuje gali sukelti stiprią srovę, perkaitimą, galimus nudegimus ar net akumuliatoriaus gedimą.
6. Nelaikykite įrankio ir akumuliatoriaus kasetės vietoje, kur temperatūra gali pasiekti ar viršyti 50 °C.
  7. Nedeginkite akumuliatoriaus kasetės, net jei yra stipriai pažeista ar visiškai susidėvėjusi. Ugnyje akumuliatoriaus kasetė gali sprogti.
  8. Saugokite akumuliatorių nuo kritimo ir smūgių.
  9. Nenaudokite pažeisto akumuliatoriaus.
  10. Įdėtos ličio jonų akumuliatoriams taikomi Pavojingų prekių teisės akto reikalavimai. Komercinis transportas, pvz., trečiųjų šalių, prekių vežimo atstovų, turi laikytis specialaus reikalavimo ant pakuočių ir ženkinimo. Norėdami paruošti siųstiną prekę, pasitarkite su pavojingų medžiagų specialistu. Be to, laikykitės galimai išsamesnių nacionalinių reglamentų. Užklijuokite juosta arba padenkite atvirus kontaktus ir supakuokite akumuliatorių taip, kad jį pakuočioje nejudėtų.
  11. Vadovaukitės vietos įstatymais dėl akumuliatorių išmetimo.

12. **Baterijas naudokite tik su „Makita“ nurodytais gaminiais.** Baterijas įdėjus į netinkamus gaminius gali kilti gaisras, gaminys pernelyg kaisti, kilti sprongimas arba pratekėti elektrolitas.

## SAUGOKITE ŠIAS INSTRUKCIJAS.

**⚠️ PERSPĖJIMAS:** Naudokite tik originalų „Makita“ akumuliatorių. Neoriginalaus „Makita“ arba pakeisto akumuliatoriaus naudojimas gali nulemti gaisrą, asmens sužalojimą ir pažeidimą. Tai taip pat panaikina „Makita“ suteikiamą „Makita“ įrankio ir įkroviklio garantiją.

## Patarimai, ką daryti, kad akumuliatorius veiktų kuo ilgiau

1. **Pakraukite akumuliatoriaus kasetę prieš jai visiškai išsikraunant.** Visuomet nustokite naudoti įrankį ir pakraukite akumuliatoriaus kasetę, kai pastebite, kad įrankio galia sumažėjo.
2. **Niekada nekraukite iki galo įkrautos akumuliatoriaus kasetės.** Perkraunant trumpėja akumuliatoriaus eksploatacijos laikas.
3. **Akumuliatoriaus kasetę kraukite esant kambario temperatūrai 10 - 40 °C.** Prieš pradėdami krauti, leiskite įkaitusiai akumuliatoriaus kasetei atvėsti.
4. **Įkraukite akumuliatoriaus kasetę, jei jos nenuadojate ilgą laiką (ilgiau nei šešis mėnesius).**

## DALIŲ APRAŠYMAS

► Pav.1

1	Stacionarus stovas	2	Kilnojamas stovas	3	Pjovimo antgalis	4	Varžtas
5	Kablys	6	Perpetės diržo pagrindas (pasirenkamajam priedui)	7	Šėsiakampis veržliaraktis	8	Lemputė (viduje)
9	Priekinė pusė	10	Gaidukas	11	Atbulinės eigos svirtelė	12	Strypo kreiptuvas
13	Kreiptuvo skalė	14	Suveržimo varžtas	15	Dangtelis	-	-

## VEIKIMO APRAŠYMAS

**⚠️ PERSPĖJIMAS:** Prieš pradėdami reguliuoti arba tikrinti įrankio veikimą, visuomet būtinai išjunkite įrankį ir išimkite akumuliatoriaus kasetę.

### Akumuliatoriaus kasetės uždėjimas ir nuėmimas

**⚠️ PERSPĖJIMAS:** Prieš įdėdami arba išimdami akumuliatoriaus kasetę, visada išjunkite įrankį.

**⚠️ PERSPĖJIMAS:** Įdėdami arba išimdami akumuliatoriaus kasetę, tvirtai laikykite įrankį ir akumuliatoriaus kasetę. Jeigu įrankį ir akumuliatoriaus kasetę laikysite netvirtai, jie gali iššlysti iš jūsų rankų, todėl įrankis ir akumuliatoriaus kasetė gali būti sugadinti, o naudotojas sužalotas.

► **Pav.2:** 1. Raudonas indikatorius 2. Mygtukas 3. Akumuliatoriaus kasetė

Jei norite išimti akumuliatoriaus kasetę, ištraukite ją iš įrankio, stumdami mygtuką, esantį kasetės priekyje.

Jei norite įdėti akumuliatoriaus kasetę, sulygiuokite liežuvėlį ant akumuliatoriaus kasetės su grioveliu korpuse ir įstumkite j į ai skirtą vietą. Įdėkite iki galo, kol spragtelėdama užsifiksuos. Jeigu matote raudoną indikatorius viršutinėje mygtuko pusėje, ji nėra visiškai užfiksuota.

**⚠️ PERSPĖJIMAS:** Akumuliatoriaus kasetę visada įkiškite iki galo, kol nebematysite raudono indikatorius. Priešingu atveju ji gali atsiktinai iškristi iš įrankio, sužeisti jus arba aplinkinius.

**⚠️ PERSPĖJIMAS:** Nekiškite akumuliatoriaus kasetės jėga. Jeigu kasetė sunkiai lenda, ją kiškite netinkamai.

### Įrankio / akumuliatoriaus apsaugos sistema

Įrankyje įrengta įrankio / akumuliatoriaus apsaugos sistema. Ši sistema automatiškai atjungia variklio maitinimą, kad įrankis ir akumuliatorius ilgiau veiktų. Įrankis automatiškai išsijungs darbo metu esant vienai iš toliau nurodytų įrankio arba akumuliatoriaus darbo sąlygų. Esant tam tikroms sąlygoms užsidega indikatoriai.

### Apsauga nuo perkrovos

Kai įrankis naudojamas taip, kad neįprastai padidėja elektros srovė, įrankis automatiškai išsijungia be jokių indikatorių įspėjimų. Tokiu atveju atleiskite įrankio gaiduką ir nutraukite darbą, dėl kurio kilo įrankio perkrova. Po to vėl įjunkite įrankį.

**PASTABA:** Apsauga nuo perkrovos suveikia mėginant pjauti šių tipų sriegiuotus strypus.

- Sriegiuotą strypą, kuris didesnis už pjovimo antgalį.
- Sriegiuotą strypą, kuris kietesnis už pjovimo antgalio pjovimo pajėgumą.

## Apsauga nuo perkaitimo

Įrankiui perkaitus, jis automatiškai sustabdomas ir mirksi LED lemputė. Prieš vėl įjungdami įrankį, leiskite jam atvėsti.

## Apsauga nuo visiško išsikrovimo

Žymiai sumažėjus akumuliatoriaus galiai, įrankis automatiškai išsijungia. Jeigu gaminyje neveikia net ir spaudžiant jungiklius, išimkite akumuliatorių iš įrankio ir įkraukite.

### Likusios akumuliatoriaus galios rodymas

**Tik akumuliatoriaus kasetėms su indikatoriumi**

► **Pav.3:** 1. Indikatorijų lemputės 2. Tikrinimo mygtukas

Paspauskite akumuliatoriaus kasetės tikrinimo mygtuką, kad būtų rodoma likusi akumuliatoriaus energija. Maždaug trims sekundėms užsidegs indikatorijų lemputės.

Indikatorijų lemputės			Likusi galia
Šviečia	Nešviečia	Blyksi	
			75 - 100 %
			50 - 75 %
			25 - 50 %
			0 - 25 %
			Įkraukite akumuliatorių.
			Galimai įvyko akumuliatoriaus veikimo triktis.

**PASTABA:** Rodmuo gali šiek tiek skirtis nuo faktinės energijos lygio – tai priklauso nuo naudojimo sąlygų ir aplinkos temperatūros.

## Jungiklio veikimas

**▲PERSPĖJIMAS:** Prieš montuodami akumuliatoriaus kasetę įrankyje, visuomet patikrinkite, ar gaidukas tinkamai veikia ir atleistas grįžta į išjungimo padėtį „OFF“.

Norėdami pradėti pjauti, paspauskite gaiduką. Ant kilnojamo stovo uždėtas pjovimo antgalis persidengs su ant stacionaraus stovo esančiu antgaliu ir sugrįš. Jei gaiduką atleisite nebaigę pjauti, pjovimo antgalis sustos.

► **Pav.4:** 1. Gaidukas

► **Pav.5:** 1. Stacionarus stovas 2. Pjovimo antgalis 3. Kilnojamas stovas

**PASTABA:** Be reikalo nenaudokite įrankio be apkrovos.

## Automatinio sustabdymo funkcija

Toliau spaudžiant gaiduką, antgalio žiotys vieną kartą užsidaro, tada grįžta į visiškai atidarytą padėtį ir sustoja. Atleiskite gaiduką ir vėl jį paspauskite naujai pjovimo sekai pradėti.

### Atbulinės eigos svirtelė

**▲ISPĖJIMAS:** Kai nenaudojate įrankio, visuomet nustatykite atbulinės eigos jungiklio svirtelę į užfiksuotą padėtį.

**▲PERSPĖJIMAS:** Prieš dirbdami visada įsitinkinkite dėl atbulinės eigos svirtelės padėties.

**PASTABA:** Nejudinkite atbulinės eigos svirtelės, kai spaudžiate gaiduką. Kitaip galite sugadinti įrankį.

Norėdami pradėti pjauti, nustatykite atbulinės eigos svirtelę į pjovimo padėtį.

Norėdami vykdyti pjovimo seką atbuline eiga, nustatykite atbulinės eigos svirtelę į atbulinės eigos padėtį. Toliau spaudžiant gaiduką, pjovimo antgalio žiotys atsidaro ir sustoja (visiškai atsidariusi padėtis). Norėdami užfiksuoti gaiduką, nustatykite atbulinės eigos svirtelę į užfiksuotą padėtį. Nustačius šią padėtį, gaiduko paspausti negalima.

► **Pav.6:** 1. Atbulinės eigos svirtelė 2. Pjovimo padėtis 3. Užfiksuota padėtis 4. Atbulinės eigos padėtis

**PASTABA:** Kai atbulinės eigos svirtelė yra nustatyta į atbulinės eigos padėtį, įrankiu naudokitės tik tuomet, jei reikia. Norint apsaugoti įrankį nuo sugadinimo, jis automatiškai sustabdomas, kai yra pastoviai naudojamas esant atbulinės eigos padėčiai.

**PASTABA:** Baigę pjauti ir atleidę gaiduką, kol pjovimo antgalio žiotys atsidaro, tada atbulinės eigos svirtelę nustačius į atbulinės eigos padėtį, žiotys vieną kartą užsidarys, o atsidarys vieną kartą paspaudus gaiduką.

## LED lemputė

**▲PERSPĖJIMAS:** Nežiūrėkite tiesiai į šviesą arba šviesos šaltinį.

Patraukite gaiduką, kad užsidegtų lemputė. Lemputė švies toli, kol spausite gaiduką. Atleidus jungiklio gaiduką, lemputė užgesa maždaug po 15 sekundžių.

► **Pav.7:** 1. Lemputė (viduje)

**PASTABA:** Purvą nuo lemos objektyvo nuvalykite sausu skudurėliu. Būkite atsargūs, kad nesubraižytumėte lemos objektyvo, nes pablogės apšvietimas.

**PASTABA:** Jeigu įrankis perkais, žybcios lemputė. Tokiu atveju leiskite įrankiui atvėsti.

## Kreiptuvo skalė

Kreiptuvo skalę naudokite tik tuomet, jei norite pjauti vienodo ilgio sriegiutus strypus. Įdėkite kreiptuvo skalę į angą, kaip parodyta piešinyje.

► **Pav.8:** 1. Kreiptuvo skalė 2. Suveržimo varžtas

Atitaikykite pageidaujamo ilgio ant kreiptuvo skalės vertę su pjovimo linija. Tada užveržkite suveržimo varžtą.

► **Pav.9:** 1. Kreiptuvo skalė 2. Pjovimo linija  
3. Suveržimo varžtas

**▲PERSPĖJIMAS:** Norėdami nešti arba paimti įrankį, nelaikykite už kreiptuvo skalės. Įrankis gali nukristi ir sužaloti ir (arba) gali būti sugadintas įrankis.

## Strypo kreiptuvas

Norėdami tiksliai nupjauti, atsižvelgdami į pjautino sriegiuto strypo skersmenį nustatykite strypo kreiptuvą į reikiamą vietą.

► **Pav.10:** 1. Strypo kreiptuvas (1 padėtis) 2. Strypo kreiptuvas (2 padėtis)

Strypo kreiptuvo padėtys yra dvi.

Padėtis	Sriegiuto strypo dydis
1	W3/8, M10
2	M8, M6

## Kablys

**▲PERSPĖJIMAS:** Niekada nekabinkite įrankio vėjuotoje vietoje arba nedėkite ant paviršiaus, kuris gali būti nestabilus.

**▲PERSPĖJIMAS:** Nenaudokite kablio, kai jis deformuotas arba pažeistas.

**▲PERSPĖJIMAS:** Kai įrankio nenaudojate, visada sulenkite kablį.

Kablys yra patogus, kai reikia trumpam pakabinti įrankį.

► **Pav.11:** 1. Kablys

**▲PERSPĖJIMAS:** Nekabinkite kablio prie juosmens diržo. Jei įrankis nukris, galite susižaloti ir (arba) gali būti sugadintas įrankis.

► **Pav.12**

## Šešiabriaunio veržliarakčio laikymas

Nenaudojamą šešiabriaunį veržliarakčį laikykite taip, kaip parodyta paveikslėlyje, kad nepamestumėte.

► **Pav.13:** 1. Šešiakampis veržliaraktis

## Perpetės diržas

### Pasirenkamas priedas

Perpetės diržas yra naudingas įrankiui nešti.

► **Pav.14:** 1. Perpetės diržas 2. Diržo galas 3. Sagties

**▲PERSPĖJIMAS:** Visada nešiodami perpetės diržą, uždėtą skersai kūno, ir sureguliuokite iki tinkamo ilgio.

**▲PERSPĖJIMAS:** Nenaudokite sugadinto perpetės diržo.

**▲PERSPĖJIMAS:** Palikite pakankamą ilgį tarp sagties ir diržo galo, kad diržo galas nenuslystų per sagtį.

## SURINKIMAS

**▲PERSPĖJIMAS:** Prieš darydami ką nors įrankiui visada patikrinkite, ar įrenginys išjungtas, o akumuliatorių kasetė – nuimta.

## Pjovimo antgalio montavimas

**▲PERSPĖJIMAS:** Pjovimo antgalį visada sumontuokite tinkama kryptimi ir gerai užveržkite. Dėl netinkamai arba laisvai uždėto antgalio gali lūžti pjovimo antgalis, todėl nulėkusių dalelės gali sužaloti.

**PASTABA:** Dilde pašalinkite ant pjovimo antgalio esančias šerpetas (jei yra).

1. Patikrinkite, ar pjovimo antgalio žiotys visiškai atsidariusios. Jei taip nėra, įdėkite akumuliatorių ir spauskite gaiduką, kol žiotys visiškai atsidarys.

**▲PERSPĖJIMAS:** Jei įdėjote, būtinai išimkite akumuliatoriaus kasetę.

2. Nustatykite atbulinės eigos svirtelę į užfiksuotą padėtį.

► **Pav.15:** 1. Atbulinės eigos svirtelė

3. Pridėtu šešiakampiu veržliarakčiu išsukite varžtus.

**▲PERSPĖJIMAS:** Naudokite tik su įrankiu pateiktą „Makita“ veržliarakčį. Naudojant kitus veržliarakčius galima perveržti arba nepakankamai priveržti, todėl galima patirti sužalojimą.

4. Nustatykite pjovimo antgalį ant stovų taip, kad matytųsi spalvotos žymės.

► **Pav.16:** 1. Varžtas 2. Pjovimo antgalis 3. Stacionarus stovas 4. Kilnojamas stovas 5. Spalvota žymė 6. Šešiakampis veržliaraktis

5. Tvirtai užveržkite pjovimo antgalį varžtais.

Pjovimo antgaliai uždėti tinkamai, jei ant jų esančios rodyklės nukreiptos viena į kitą. Pjovimo antgalių matmenys yra vienodi, tačiau žiūrint iš apačios jų storis atrodo skirtingas.

► **Pav.17:** 1. Rodyklė 2. Pjovimo antgalis 3. Plonoji pusė 4. Storoji pusė

# NAUDOJIMAS

**▲ PERSPĖJIMAS:** Įsitinkinkite, kad ant įrankio sumontuotas tinkamo dydžio pjovimo antgalis. Prieš pjaudami, patikrinkite pjovimo pajėgumą, užrašytą ant pjovimo antgalio.

**▲ PERSPĖJIMAS:** Prieš paspausdami gaiduką, būtinai nustatykite sriegiuotą strypą taip, kad sriegis sutaptų su pjovimo antgalio. Netinkamai sulygiavus sriegius, gali lūžti pjovimo antgalis, o nulėkusių dalys gali sužaloti.

**▲ PERSPĖJIMAS:** Jei pjovimo kraštas įskeltas arba deformuotas, pakeiskite pjovimo antgalį.

Pjaudami padėkite sriegiuotą strypą statmenai pjovimo linijai, kaip parodyta paveikslėlyje.

► **Pav.18:** 1. Pjovimo linija

**PASTABA:** Pjaunant iš tšauso metalo, pvz., nerūdijančio plieno, pagamintą sriegiuotą strypą, pjovimo gale susidaryti šerpetų. Tokiu atveju dilde pašalinkite šerpetas.

► **Pav.19:** 1. Sriegiuotas strypas 2. Šerpetos

## Įtvirtintų sriegiuotų strypų pjovimas

Kai pjaunate sriegiuotą strypą, kuris pritvirtintas prie statinio struktūros, pvz., lubų, sienų, grindų ir pan., laikykitės toliau pateiktos procedūros.

► **Pav.20:** 1. Sriegiuotas strypas 2. Pjovimo antgalis ant stacionaraus stovo

1. Padėkite įrankį taip, kad sriegiuotas strypas būtų tarp pjovimo antgalio.
2. Kol sriegiuotas strypas liečia strypo kreiptuvą, strypo sriegį sutapdinkite su pjovimo antgaliu ant stacionaraus stovo.
3. Paspaudę palaikykite gaiduką, kol bus baigta pjauti, o pjovimo antgalio žiotys visiškai atsidarys.

**PASTABA:** Prieš darbą nuvalykite įrankio priekinę pusę ir kreiptuvo skalės galiuką. Jie gali išpurvinti kontaktinį paviršių.

## Neįtvirtintų sriegiuotų strypų pjovimas

Kai pjaunate neįtvirtintą sriegiuotą strypą ant grindų arba darbatalio, laikykitės toliau pateiktos procedūros.

► **Pav.21:** 1. Sriegiuotas strypas 2. Pjovimo antgalis ant stacionaraus stovo

1. Padėkite sriegiuotą strypą tarp pjovimo antgalio.
2. Kol sriegiuotas strypas liečia strypo kreiptuvą, strypo sriegį sutapdinkite su pjovimo antgaliu ant stacionaraus stovo.
3. Paspaudę palaikykite gaiduką, kol bus baigta pjauti, o pjovimo antgalio žiotys visiškai atsidarys.

Pjaudami ilgą sriegiuotą strypą, kurį sunku laikyti ranka, padėkite įrankį, kaip parodyta. Įrankį galima paguldyti. Dangtelį taip pat galima naudoti sriegiuoto strypo galui prilauki.

- **Pav.22:** 1. Dangtelis (1 padėtis) 2. Strypo kreiptuvas (1 padėtis) 3. Dangtelis (2 padėtis) 4. Strypo kreiptuvas (2 padėtis)

Dangtelyje yra žymių jo padėčiai parodyti. Priklausomai nuo sriegiuoto strypo dydžio, dėkite dangtelį lentelėje nurodytoje vietoje, taip pat uždėkite dangtelio kreiptuvą.

Padėtis	Sriegiuoto strypo dydis
1	W3/8, M10
2	M8, M6

## Baigimas pjauti įpusėjus darbui

**▲ PERSPĖJIMAS:** Niekada netraukite įrankio per jėgą iš sriegiuoto strypo. Jis gali netikėtai įsijungti, todėl galite būti sužaloti arba gali būti sugadinti pjovimo antgalis ir įrankis.

Baigdami pjauti įpusėjus darbui, atbulinės eigos svirtelę nustatykite į atbulinės eigos padėtį ir spauskite gaiduką, kol sriegiuotą strypą visiškai atleis pjovimo antgalis.

## TECHNINĖ PRIEŽIŪRA

**▲ PERSPĖJIMAS:** Visuomet įsitinkinkite, ar įrankis yra išjungtas ir akumulatoriaus kasetė yra nuimta prieš atlikdami apžiūrą ir priežiūrą.

**PASTABA:** Niekada nenaudokite gazolino, benzino, tirpiklio, spirito arba panašių medžiagų. Gali atsirasti išblukimų, deformacijų arba įtrūkimų.

## Pjovimo antgalio keitimas

**PASTABA:** Abu pjovimo antgalius keiskite kartu. Pakeitus tik vieną pjovimo antgalio pusę, ant sriegiuoto strypo gali susidaryti šerpetų.

Pakeiskite pjovimo antgalį, kai jis įskeltas, deformuotas arba pjauna neaštriai. Norėdami pakeisti, laikykitės skyriuje „Pjovimo antgalio montavimas“ pateiktų instrukcijų.

► **Pav.23:** 1. Įskėlimas 2. Deformacija

Vienas pjovimo antgalis turi du pjovimo kraštus, storąją ir plonąją puses. Pakeiskite pjovimo antgalio montavimo vietas, jei nenaudojote kitų pjovimo kraštų pusių.

► **Pav.24:** 1. Pjovimo kraštas 2. Plonoji pusė 3. Storoji pusė

## Įrankio nešimas / laikymas

**▲ PERSPĖJIMAS:** Kai įrankio nenaudojate, visada pritvirtinkite tiekiamą dangtelį prie pjovimo dalies.

Kai nešate įrankį, pritvirtinkite dangtelį. Kai laikote įrankį, nuimkite akumulatoriaus kasetę ir kreiptuvo skalę nuo įrankio. Nuvalykite dulkes nuo pjovimo antgalio ir judamosios dalies. Tada prikabinkite dangtelį.

► **Pav.25: 1.** Dangtelis

Kad gaminys būtų SAUGUS ir PATIKIMAS, jį taisyti, apžiūrėti ar vykdyti bet kokią kitą priežiūrą ar derinimą turi įgaliotasis kompanijos „Makita“ techninės priežiūros centras; reikia naudoti tik kompanijos „Makita“ pagamintas atsargines dalis.

## PASIRENKAMI PRIEDAI

**⚠ PERSPĖJIMAS:** Šiuos papildomus priedus arba įtaisus rekomenduojama naudoti su šioje instrukcijoje nurodytu „Makita“ bendrovės įrankiu. Naudojant bet kokius kitus papildomus priedus arba įtaisus, gali kilti pavojus sužeisti žmones. Naudokite tik nurodytam tikslui skirtus papildomus priedus arba įtaisus.

Jeigu norite daugiau sužinoti apie tuos priedus, kreipkitės į artimiausią „Makita“ techninės priežiūros centrą.

- Pjovimo antgalis
- Perpetės diržas
- Originalus „Makita“ akumulatorius ir įkroviklis

**PASTABA:** Kai kurie sąraše esantys priedai gali būti pateikti įrankio pakuotėje kaip standartiniai priedai. Jie įvairiose šalyse gali skirtis.



## TEHNILISED ANDMED

Mudel:	DSC102	
Lõikejõudlus	Karastamata teras	W3/8, M10, M8, M6
	Roostevaba teras	W3/8, M8, M6
Üldpikkus	199 mm	
Nimipinge	Alalisvool 18 V Alalisvool 14,4 V	
Netokaal	2,8 - 3,2 kg	

- Meie pideva uuringu- ja arendusprogrammi tõttu võidakse tehnilisi andmeid muuta ilma sellest ette teatamata.
- Tehnilised andmed võivad riigiti erineda.
- Kaal võib erineda olenevalt lisaseadistest, kaasa arvatud akukassetist. Kergeim ja raskeim kombinatsioon EPTA-protseduuri 01/2014 kohaselt on toodud tabelis.

## Sobiv akukassett ja laadija







Akukassett	Alalisvool 14,4 V mudel	BL1415N / BL1430 / BL1430B / BL1440 / BL1450 / BL1460B
	Alalisvool 18 V mudel	BL1815N / BL1820 / BL1820B / BL1830 / BL1830B / BL1840 / BL1840B / BL1850 / BL1850B / BL1860B
Laadija	DC18RC / DC18RD / DC18RE / DC18SD / DC18SE / DC18SF	

- Mõned eespool loetletud akukassetid ja -laadijad ei pruugi olla teie riigis saadaval.

**⚠ HOIATUS:** Kasutage ainult ülalpool loetletud akukassette ja laadijaid. Muude akukassettide ja laadijate kasutamine võib tekitada vigastusi ja/või tulekahju.

## Sümbolid

Alljärgnevalt kirjeldatakse seadmetel kasutatavaid tingimärke. Veenduge, et olete nende tähendusest aru saanud enne seadme kasutamist.

	Lugege juhendit.
	Kandke kaitseprille.
	Ärge puudutage töötamise ajal lõiketera.
	Pöörake tähelepanu lõigatavale keermestatud vardale.
	Ärge viige töötamise ajal oma nägu tööriista lähedale.
	Ainult EL-i riikide puhul Ärge visake elektriseadmeid ja akusid ära koos majapidamisjäätmetega! Vastavalt Euroopa Parlamendi ja Nõukogu direktiividele elektri- ja elektroonikaseadmete jäätmete kohta ning patareide ja akude ning patareid- ja akujäätmete kohta ning nende nõuete kohaldamisele liikmesriikides tuleb kasutuskõlbmatuks muutunud elektriseadmed ja akud koguda eraldi ning keskkonnasäästlikult korduv kasutada või ringlusse võtta.

## Kavandatud kasutus

Tööriist on ette nähtud keermestatud varraste lõikamiseks.

## Müra

Tüüpiline A-korrigeeritud müratase, määratud standardi EN62841 kohaselt:

Helirõhutase ( $L_{pA}$ ): 71 dB (A)

Määramatus (K): 3 dB (A)

Töötamisel võib müratase ületada 80 dB (A).

**⚠ HOIATUS:** Kasutage kõrvakaitsmeid.

## Vibratsioon

Vibratsiooni koguväärtus (kolmeteljeliste vektorite summa) määratud standardi EN62841 kohaselt:

Töörežiim: roostevabast terasest keermestatud varda lõikamine (varda suurus W3/8)

Vibratsiooniheide ( $a_{h1}$ ): 2,5 m/s<sup>2</sup> või vähem

Määramatus (K): 1,5 m/s<sup>2</sup>

**MÄRKUS:** Deklareeritud vibratsiooniheite väärtus on mõõdetud kooskõlas standardse testimismeetodiga ning seda võib kasutada ühe seadme võrdlemiseks teisega.

**MÄRKUS:** Deklareeritud vibratsiooniheite väärtust võib kasutada ka mürataseme esmaseks hindamiseks.

**⚠HOIATUS:** Vibratsioonitase võib elektritööriista tegelikkuses kasutamise ajal erineda deklareeritud väärtusest olenevalt tööriista kasutamise viisidest.

**⚠HOIATUS:** Rakendage operaatori kaitsmiseks kindlasti piisavaid ohutusabinõusid, mis põhinevad hinnangulisel müratasemel tegelikus töösihtuatsioonis (võttes arvesse tööperioodi kõiki osasid, nagu näiteks korrad, kui seade lülitatakse välja ja seade töötab tühikäigul, lisaks tööajale).

## EÜ vastavusdeklaratsioon

*Ainult Euroopa riikide puhul*

EÜ vastavusdeklaratsioon sisaldub käesoleva juhendi Lisas A.

## OHUTUSHOIATUSED

### Üldised elektritööriistade ohutushoiatused

**⚠HOIATUS:** Lugege läbi kõik selle elektritööriistaga kaasas olevad ohutushoiatused, juhised, joonised ja tehnilised andmed. Järgnevate juhiste eiramine võib põhjustada elektrilöögi, süttimise ja/või raske kehavigastuse.

### Hoidke edaspidisteks viide- teks alles kõik hoiatused ja juhtnöörid.

Hoiatuses kasutatud termini „elektritööriist“ all peetakse silmas elektriga töötavaid (juhtmega) elektritööriistu või akuga töötavaid (juhtmeta) elektritööriistu.

### Juhtmeta keermestatud varraste lõikuri ohutushoiatused

1. Hoidke tööriistast kindlalt kinni.
2. Fikseerige töödeldav detail kindlalt.
3. Hoidke oma nägu ja käed liikuvatest osadest eemal. Keermestatud varda tück võib lõikamise ajal ära lennata.
4. Kandke keermestatud varraste käsitlemisel alati kindaid. Töödeldava detaili servad ja laastud on teravad.
5. Ärge asetage tööriista töödeldava detaili laastudele. Vastasel korral võib see põhjustada tööriista kahjustuse ja talitlushäire.
6. Veenduge alati, et teie jalgealune oleks kindel. Kui töötate kõrguses, siis jälgige, et teist allpool ei viibiks inimesi.
7. Ärge puudutage lõikeserva ega töödeldavat detaili vahetult pärast tööoperatsiooni, sest need võivad olla äärmiselt kuumad ja põletada nahka.
8. Vältige elektrijuhtmetesse sisselõikamist. See võib põhjustada tõsise õnnetuse elektrilöögi näol.

9. Hoidke keermestatud varrast alati lõikamise ajal ja pärast seda kinni, et vältida keermestatud varda lõigatud osa kukkumist. Lõigatud keermestatud varras võib kõrgelt kukkudes tekitada tõsiseid kehavigastusi.
10. Hoidke oma keha liikuvatest osadest ohutus kauges. Ärge kasutage tööriista kui tööala on ohutu vahemaa hoidmiseks liiga kitsas.
11. Ärge kunagi jätke tööriista kõrgesse kohta ega ebakindlale pinnale.

## HOIDKE JUHEND ALLES.

**⚠HOIATUS:** ÄRGE UNUSTAGE järgida toote ohutusnõudeid mugavuse või toote (korduskasutamise saavutatud) hea tundmise tõttu.

**VALE KASUTUS** või kasutusjuhendi ohutuseeskirjade eiramine võib põhjustada tervisekahjustusi.

## Akukassetiga seotud olulised ohutusjuhised

1. Enne akukasseti kasutamist lugege (1) akulaadimise, (2) akul ja (3) seadmel olevad juhtnöörid ja hoiatused läbi.
2. Ärge võtke akukassetti lahti.
3. Kui tööaeg järsult lüheneb, siis lõpetage kohe kasutamine. Edasise kasutamise tulemuseks võib olla ülekuumenemine, võimalikud põletused või isegi plahvatus.
4. Kui elektrolüüti satub silma, siis loputage silma puhta veega ja pöörduge koheselt arsti poole. Selline õnnetus võib põhjustada pimedaksjäämist.
5. Ärge tekitage akukassetis lühist:
  - (1) Ärge puutuge klemme elektrijuhtidega.
  - (2) Ärge hoidke akukassetti tööriistakastis koos metallsemetega, nagu naelad, mündid jne.
  - (3) Ärge tehke akukassetti märjaks ega jätke seda vihma kätte.Aku lühis võib põhjustada tugevat elektrivoolu, ülekuumenemist, põletusi ning ka seadet tõsiselt kahjustada.
6. Ärge hoidke tööriista ja akukassetti kohtades, kus temperatuur võib tõusta üle 50 °C.
7. Ärge põletage akukassetti isegi siis, kui see on saanud tõsiselt vigastada või on täiesti kulumud. Akukassett võib tules plahvatada.
8. Olge ettevaatlik, ärge laske akul maha kukkuda ja vältige lööke.
9. Ärge kasutage kahjustatud akut.
10. Sisalduvatele liitium-ioonakudele võivad kohalduda ohtlike kaupade õigusaktide nõuded. Kaubanduslikul transportimisel, näiteks kolmandate poolte või transpordiettevõtete poolt, tuleb järgida pakendil ja siltidel toodud erinõudeid. Transportimiseks ettevalmistamisel on vajalik pidada nõu ohtliku materjali ekspordiga. Samuti tuleb järgida võimalike riiklike regulatsioonide üksikasjalikumaid nõudeid. Katke teibiga või varjake avatud kontaktid ja pakendage aku selliselt, et see ei saaks pakendis liikuda.

- Järgige kasutusõhmatuks muutunud aku käitlemisel kohalikke eeskirju.
- Kasutage akusid ainult Makita heaks kiidetud toodetega. Akude paigaldamine selleks mitte ettenähtud toodetele võib põhjustada süttimist, ülemäärast kuumust, plahvatamist või elektrolüüdi lekkimist.

## HOIDKE JUHEND ALLES.

**⚠ETTEVAATUST:** Kasutage ainult Makita originaalakusid. Mitte Makita originaalakude või muudetud akude kasutamine võib põhjustada akude süttimise, kehavigastuse ja kahjustuse. Samuti muudab see kehtetuks Makita tööriista ja laadija Makita garantii.

## Vihjeid aku maksimaalse kasutaja tagamise kohta

- Laadige akukassetti enne selle täielikku tühjenemist. Kui märkate, et tööriist töötab väiksema võimsusega, peatage töö ja laadige akukassetti.
- Ärge laadige täielikult laetud akukassetti. Ülelaadimine lühendab akude kasutusiga.
- Laadige akukassetti toatemperatuuril 10 °C - 40 °C. Enne laadimist laske kuumenenud akukassetil maha jahtuda.
- Kui te ei kasuta akukassetti kauem kui kuus kuud, laadige see.

## OSADE KIRJELDUS

### ► Joon.1

1	Püsikinnitus	2	Liikuv kinnitus	3	Lõikestants	4	Polt
5	Konks	6	Õlarihma alus (lisatarvikule)	7	Kuuskantvõti	8	Lamp (sees)
9	Esikülj	10	Lüliti päästik	11	Suunamuutmise lüliti hoob	12	Vardajuhik
13	Joonlaud	14	Pitskruvi	15	Kate	-	-

## FUNKTSIONAALNE KIRJELDUS

**⚠ETTEVAATUST:** Kandke alati hoolt selle eest, et tööriist oleks enne reguleerimist ja kontrollimist välja lülitatud ja akukassett eemaldatud.

### Akukasseti paigaldamine või eemaldamine

**⚠ETTEVAATUST:** Lülitage tööriist alati enne akukasseti paigaldamist või eemaldamist välja.

**⚠ETTEVAATUST:** Akukasseti paigaldamisel või eemaldamisel tuleb tööriista ja akukassetti kindlalt paigal hoida. Kui tööriista ja akukassetti ei hoita kindlalt paigal, võivad need käest libiseda ning kahjustada tööriista ja akukassetti või põhjustada kehavigastusi.

### ► Joon.2: 1. Punane näidik 2. Nupp 3. Akukassett

Akukasseti eemaldamiseks libistage see tööriista küljest lahti, vajutades kasseti esiküljel paiknevat nuppu alla.

Akukasseti paigaldamiseks joondage akukasseti keel korpuse soonega ja libistage kassett oma kohale. Paigaldage akuadapter alati nii kaugele, et see lukustuks klõpsatusega oma kohale. Kui näete nupu ülaosas punast osa, pole kassett täielikult lukustunud.

**⚠ETTEVAATUST:** Paigaldage akukassett alati täies ulatuses nii, et punast osa ei jääks näha. Muidu võib adapter juhuslikult tööriistast välja kukkuda ning põhjustada teile või läheduses viibivatele isikutele vigastusi.

**⚠ETTEVAATUST:** Ärge rakendage akukasseti paigaldamisel jõudu. Kui kassett ei lähe kergesti sisse, pole see õigesti paigaldatud.

### Tööriista/aku kaitsesüsteem

Tööriist on varustatud tööriista või aku kaitsesüsteemiga. Süsteem lülitab mootori automaatselt välja, et pikendada tööriista ja aku tööiga. Tööriist seiskub käitamise ajal automaatselt, kui tööriista või aku kohta kehtib üks järgmistest tingimustest. Teatud tingimustes hakkavad indikaatorid põlema.

### Ülekoormuskaitse

Kui tööriista kasutamise käigus hakkab see tarbima ebaharilikult palju voolu, peatub tööriist automaatselt ilma igasuguse signaalita. Sellisel juhul lülitage tööriist välja ning lõpetage tööriista ülekoormuse põhjustanud tegevus. Pärast seda käivitage tööriist uuesti.

**MÄRKUS:** Ülekoormuskaitse aktiveerub kui üritate lõigata järgmist tüüpi keermestatud vardaid.

- Keermestatud varras, mis on lõiketera mõõdust suurem.
- Keermestatud varras, mis on kõvem kui lõiketera lõikevõimsus.

## Ülekuumenemiskaitse

Kui tööriist on ülekuumenenud, peatub see automaatselt ning süttib valgusdiod. Laske tööriistal maha jahtuda, enne kui selle uuesti sisse lülitate.

## Ülelaadimiskaitse

















Kui aku laetuse tase on madal, siis seiskub tööriist automaatselt. Kui seade ei hakka tööle ka lülite kasutamisel, eemaldage tööriistast akud ja laadige neid.

### Aku jäämahutavuse näit

**Ainult näidikuga akukassetidele**

► **Joon.3:** 1. Märkulambid 2. Kontrollimise nupp

Akukasetti järelejäänud mahutavuse kontrollimiseks vajutage kontrollimise nuppu. Märkulambid süttivad mõneks sekundiks.

Märkulambid			Jäämahutavus
 Põleb	 Ei põle	 Vilgub	
			75 - 100%
			50 - 75%
			25 - 50%
			0 - 25%
			Laadige akut.
			Akul võib olla tõrge.
			

**MÄRKUS:** Näidatud mahutavus võib veidi erineda tegelikust mahutavusest olenevalt kasutustingimustest ja ümbritseva keskkonna temperatuurist.

## Lüliti funktsioneerimine

**ETTEVAATUST:** Kontrollige alati enne akukasetti tööriista külge paigaldamist, kas lüliti päästik funktsioneerib nõuetekohaselt ja liigub lahtilaskmisel tagasi väljalülitatud asendisse.

Lõikamistoimingu käivitamiseks jätkake lüliti päästiku vajutamist. Liikuva kinnituse lõiketerna kattub statsionaarsel kinnitusel oleva stantsiga ja seejärel liigub tagasi. Kui vabastate lüliti päästiku enne lõike lõpuleviimist, lõikestants peatub.

► **Joon.4:** 1. Lüliti päästik

► **Joon.5:** 1. Püsikinnitus 2. Lõikestants 3. Liikuv kinnitus

**TÄHELEPANU:** Ärge käitage tööriista tarbetult koormamata olekus.

## Automaatse seiskamise funktsioon

Kui jätkate lüliti päästiku vajutamist, sulgub ja avaneb tera haarats ühe korra ning seejärel peatub. Vabastage päästik ja vajutage seda järgmise lõikamistsükli alustamiseks uuesti.

### Suunamuutmise lüliti hoo

**HOIATUS:** Kui tööriista ei kasutata, peab suunamuutmise lüliti hoo olema alati lukustatud asendis.

**ETTEVAATUST:** Enne tööle asumist kontrollige alati suunamuutmise lüliti hooa asendit.

**TÄHELEPANU:** Ärge liigutage suunamuutmise lüliti hooa lüliti päästiku vajutamise ajal. See võib tööriista kahjustada.

Lõikamistoimingu alustamiseks seadke suunamuutmise lüliti hoo lõikeasendisse.

Lõikamistsükli suuna muutmiseks seadke suunamuutmise lüliti hoo suunamuutmise asendisse. Kui jätkate lüliti päästiku vajutamist, lõiketerna haarats avaneb ja peatub täielikult avatud asendis.

Lüliti päästiku lukustamiseks seadke suunamuutmise lüliti hoo lukustusasendisse. Lüliti päästikut ei saa selles asendis vajutada.

► **Joon.6:** 1. Suunamuutmise lüliti hoo  
2. Lõikeasend 3. Lukustatud asend  
4. Suunamuutmise asend

**TÄHELEPANU:** Kui suunamuutmise lüliti hoo on suunamuutmise asendis, käitage tööriista ainult vastavalt vajadusele. Tööriista kahjustamise vältimiseks peatub tööriist automaatselt, kui see töötab pidevalt suunamuutmise asendis.

**MÄRKUS:** Kui pärast lõikamist vabastate lüliti päästiku ajal, mil lõiketerna haarats parasjagu avaneb ja seate seejärel suunamuutmise lüliti hoo suunamuutmise asendisse, sulgub haarats ühe korra ja avaneb, kui vajutate lüliti päästikut uuesti.

## LED-lamp

**ETTEVAATUST:** Ärge vaadake otse valgusse ega valgusallikat.

Lambi sisselülitamiseks vajutage lüliti päästikut. Lüliti päästiku vajutamise ajal lamp põleb. Lamp kustub umbes 15 sekundit pärast lüliti päästiku vabastamist.

► **Joon.7:** 1. Lamp (sees)

**MÄRKUS:** Pühkige lamp kuiva lapiga puhtaks. Olge seda tehes ettevaatlik, et lambi läätse mitte kriimustada, sest muidu võib valgustus väheneda.

**MÄRKUS:** Kui tööriist üle kuumeneb, siis lamp vilgub. Sellisel juhul laske tööriistal maha jahtuda.

## Joonlaud

Kui soovite keermestatud vardaid ühepikkuseks lõigata, kasutage joonlauda. Paigaldage joonlaud auku, nagu joonisel näidatud.

► **Joon.8:** 1. Joonlaud 2. Pitskruvi

Joondage väärtus joonlaual lõikejoone suhtes soovitud pikkusega. Seejärel pingutage pitskruvi.

► **Joon.9:** 1. Joonlaud 2. Lõikejoon 3. Pitskruvi

**⚠ETTEVAATUST:** Ärge hoidke joonlauast tööriista kandmiseks ega käsitsemiseks. Tööriist võib kukkuda ja tekitada kehavigastusi ja/või kahjustusi tööriistale.

## Vardajuhik

Täpseks lõikamiseks seadke vardajuhik paika sõltuvalt lõigatava keermestatud varda diameetrist.

► **Joon.10:** 1. Vardajuhik (asend 1) 2. Vardajuhik (asend 2)

Olemas on kaks vardajuhiku asendit.

Asend	Keermestatud varda suurus
1	W3/8, M10
2	M8, M6

## Konks

**⚠ETTEVAATUST:** Ärge kunagi riputage tööriista tuulisesse kohta ega ebakindlale pinnale.

**⚠ETTEVAATUST:** Ärge kasutage konksu, kui see on deformeerunud või kahjustatud.

**⚠ETTEVAATUST:** Kui tööriista ei kasutata, lükake konks alati kokku.

Konksu abil saate mugavalt tööriista ajutiselt üles riputada.

► **Joon.11:** 1. Konks

**⚠ETTEVAATUST:** Ärge riputage konksu võõle. Tööriista pillamine võib tekitada kehavigastusi ja/või kahjustada tööriista.

► **Joon.12**

## Kuuskantvõtme hoiulepanek

Kui kuuskantvõtit ei kasutata, pange see kaotamise vältimiseks joonisel näidatud viisil hoiule.

► **Joon.13:** 1. Kuuskantvõti

## Ölarihm

### Valikuline tarvik

Ölarihm on kasulik tööriista kandmiseks.

► **Joon.14:** 1. Ölarihm 2. Vöö ots 3. Pannal

**⚠ETTEVAATUST:** Kandke ölarihma alati risti üle keha ja õigesse pikkusesse reguleerituna.

**⚠ETTEVAATUST:** Ärge kasutage kahjustatud ölarihma.

**⚠ETTEVAATUST:** Jätke pandla ja vöö vahele piisavalt ruumi, et vöö ots ei libiseks läbi pandla.

## KOKKUPANEK

**⚠ETTEVAATUST:** Kandke alati hoolt selle eest, et tööriist oleks enne igasuguseid hooldustöid välja lülitatud ja akukassett eemaldatud.

## Lõiketera paigaldamine

**⚠ETTEVAATUST:** Paigaldage lõiketera alati õiges suunas ja tugevalt kinnitatuna. Vale või lahine lisatarvik võib põhjustada lõiketera purunemise, mille tulemuseks võib olla eemale lendavate tükide poolt tekitatud kehavigastus.

**TÄHELEPANU:** Viili olemasolu korral kasutage seda lõiketeral oleva freesi eemaldamiseks.

1. Kontrollige, et lõiketera haarats oleks täielikult avatud. Kui ei ole, paigaldage aku ja vajutage lüliti päästikut, kuni haarats on täielikult avatud.

**⚠ETTEVAATUST:** Kui olete selle paigaldanud, eemaldage kindlasti akukassett.

2. Viige suunamuutmise lüliti hooob lukustusasendisse.

► **Joon.15:** 1. Suunamuutmise lüliti hooob

3. Keerake poldid kaasas oleva kuuskantvõtmeiga lahti.

**⚠ETTEVAATUST:** Kasutage üksnes tööriistaga kaasas olevat Makita võtit. Teiste võtmete kasutamise tulemuseks võib olla ülepingutamise või ebapiisav pingutamine, mis põhjustab kehavigastusi.

4. Seadke lõiketera kinnitusele, nii et kaks värvilist märgistust oleks nähtavad.

► **Joon.16:** 1. Pold 2. Lõikestants 3. Püsikinnitus  
4. Liikuv kinnitus 5. Värviline markeering  
6. Kuuskantvõti

5. Kinnitage lõiketera tugevalt poltidega.

Lõiketera on korrektselt paigaldatud kui sellel olevad nooled on suunatud üksteise poole. Lõiketera mõõtmed on samad, kuid paksus paistab ülalt vaadates erinev.

► **Joon.17:** 1. Nool 2. Lõikestants 3. Öhuke külg  
4. Paks külg

# TÖÖRIISTA KASUTAMINE

**⚠ETTEVAATUST:** Veenduge, et tööriistale oleks paigaldatud õige suurusega lõiketera. Enne lõikamist kontrollige lõiketerale kirjutatud lõikevõimsust.

**⚠ETTEVAATUST:** Enne lüliti päästiku vajutamist seadke keermestatud varras kindlasti nii, et selle keermestatud sobiksid lõiketera omadega. Keermete vale joendus võib lõiketera lõhkuda ja tekitada eemale lendavate tükide tõttu kehavigastusi.

**⚠ETTEVAATUST:** Kui lõikeserval on täkkeid või see on deformeerunud, vahetage lõiketera välja.

Lõikamise ajal paigutage keermestatud varras lõikejoonena risti, nagu joonisel näidatud.

▶ **Joon.18:** 1. Lõikejoon

**MÄRKUS:** Lõigates varrast, mis on tehtud painduvast metallist, näiteks roostevabast terasest, võivad lõigatud otsa tekkida ebatasasused. Sellisel juhul eemaldage ebatasasused viiliga.

▶ **Joon.19:** 1. Keermestatud varras 2. Ebatasasus

## Kinnitatud keermestatud varraste lõikamine

Lõigates keermestatud varrast, mis on kinnitatud ehitise struktuuri külge, näiteks lakke, seina, põrandasse, järgige allpool toodud protseduuri.

▶ **Joon.20:** 1. Keermestatud varras 2. Lõiketera statsioonarsel kinnitusel

1. Liigutage tööriista nii, et keermestatud varras asetseks lõiketerade vahel.
2. Kui keermestatud varras puutub kokku vardajuhikuga, sobitage varda keermes lõikestantsi omadega statsioonarsel kinnitusel.
3. Vajutage ja hoidke all lüliti päästikut, kuni lõikamine on lõpetatud ja lõiketera haarats jõuab täielikult avatud asendisse.

**TÄHELEPANU:** Enne kasutamist puhastage tööriista esikülge ja joonlaua ots. Need võivad kontaktpinda määrada.

## Lahtiste keermestatud varraste lõikamine

Lahtise keermestatud varda lõikamisel põrandal või töölaual järgige allpool toodud protseduuri.

▶ **Joon.21:** 1. Keermestatud varras 2. Lõiketera statsioonarsel kinnitusel

1. Paigutage keermestatud varras lõiketera vahele.
2. Kui keermestatud varras puutub kokku vardajuhikuga, sobitage varda keermes lõikestantsi omadega statsioonarsel kinnitusel.

3. Vajutage ja hoidke all lüliti päästikut, kuni lõikamine on lõpetatud ja lõiketera haarats jõuab täielikult avatud asendisse.

Lõigates pikka keermestatud varrast, mida on käega raske hoida, paigutage tööriist nii, nagu joonisel näidatud. Tööriista võib asetada ühetasasel. Katet saab kasutada ka keermestatud varda otsa toestamiseks.

▶ **Joon.22:** 1. Kate (asend 1) 2. Vardajuhik (asend 1) 3. Kate (asend 2) 4. Vardajuhik (asend 2)

Kattel on asendi märgistamiseks märgistused. Olenevalt keermestatud varda suurusest pange nii kate kui vardajuhik tabelis näidatud asendisse.

Asend	Keermestatud varda suurus
1	W3/8, M10
2	M8, M6

## Lõikamise poolelijätmine

**⚠ETTEVAATUST:** Ärge üritage kunagi tööriista keermestatud vardast jõuga välja tõmmata. See võib põhjustada ootamatu käivitumise, mis võib tekitada kehavigastusi või kahjustusi lõiketerale ja tööriistale.

Lõike keskele jätmise korral viige suunamuutmise lüliti hoob suunamuutmise asendisse ja vajutage lüliti päästikut, kuni keermestatud varras on lõiketerast täielikult vabastatud.

## HOOLDUS

**⚠ETTEVAATUST:** Enne kontrolli- või hooldustööde tegemist kandke alati hoolt selle eest, et tööriist oleks välja lülitatud ja akukassett korpuse küljest eemaldatud.

**TÄHELEPANU:** Ärge kunagi kasutage bensiini, vedeldit, alkoholi ega midagi muud sarnast. Selle tulemuseks võib olla luitumine, deformatsioon või pragunemine.

## Lõiketera vahetamine

**TÄHELEPANU:** Vahetage mõlemad lõiketerad üheaegselt. Lõiketera vahetamine ainult ühel küljel võib keermestatud vardale tekitada ebatasasusi.

Vahetage lõiketera juhul, kui sellel on täkkeid, see on deformeerunud või nüri. Vahetamiseks järgige jaotises „Lõiketera paigaldamine” toodud juhiseid.

▶ **Joon.23:** 1. Täkked 2. Deformeerumine

Ühel lõiketeral on kaks lõikeserva ning paks külg ja õhuke külg. Kui te ei ole lõikeservade teisi külgi kasutanud, vahetage lõiketera paigaldamise asendeid.

▶ **Joon.24:** 1. Lõikeserv 2. Õhuke külg 3. Paks külg

## Tööriista kandmine/hoiundamine

**⚠ETTEVAATUST:** Kui tööriista ei kasutata, kinnitage kaasas olev kate alati löikamisosa külge.

Kinnitage kate tööriista kandes.

Tööriista hoiundamisel eemaldage tööriistalt akukassett ja juonlaud. Puhastage löiketera ja liikuv osa tolmust.

Seejärel kinnitage kate.

► **Joon.25:** 1. Kate

Toote OHUTUSE ja TÖÖKINDLUSE tagamiseks tuleb vajalikud remonttööd ning muud hooldus- ja reguleerimistööd lasta teha Makita volitatud teeninduskeskustes või tehase teeninduskeskustes. Alati tuleb kasutada Makita varuosi.

## VALIKULISED TARVIKUD

**⚠ETTEVAATUST:** Neid tarvikuid ja lisaseadiseid on soovitatav kasutada koos Makita tööriistaga, mille kasutamist selles kasutusjuhendis kirjeldatakse. Muude tarvikute ja lisaseadiste kasutamisega kaasneb vigastada saamise oht. Kasutage tarvikuid ja lisaseadiseid ainult otstarbekohaselt.

Saate vajaduse korral kohalikust Makita teeninduskeskusest lisateavet nende tarvikute kohta.

- Lõiketera
- Ölarihm
- Makita algupärane aku ja laadija

**MÄRKUS:** Mõned nimekirjas loetletud tarvikud võivad kuuluda standardvarustusse ning need on lisatud tööriista pakendisse. Need võivad riigiti erineda.

## ТЕХНИЧЕСКИЕ ХАРАКТЕРИСТИКИ

Модель:		DSC102
Режущая способность	Мягкая сталь	W3/8, M10, M8, M6
	Нержавеющая сталь	W3/8, M8, M6
Общая длина		199 мм
Номинальное напряжение		18 В пост. Тока 14,4 В пост. Тока
Масса нетто		2,8 - 3,2 кг

- Благодаря нашей постоянно действующей программе исследований и разработок указанные здесь технические характеристики могут быть изменены без предварительного уведомления.
- Технические характеристики могут различаться в зависимости от страны.
- Масса может отличаться в зависимости от дополнительного оборудования. Обратите внимание, что блок аккумулятора также считается дополнительным оборудованием. В таблице представлены комбинации с наибольшим и наименьшим весом в соответствии с процедурой EPTA 01/2014.

### Подходящий блок аккумулятора и зарядное устройство





Блок аккумулятора	Модель 14,4 В пост. тока	BL1415N / BL1430 / BL1430B / BL1440 / BL1450 / BL1460B
	Модель 18 В пост. тока	BL1815N / BL1820 / BL1820B / BL1830 / BL1830B / BL1840 / BL1840B / BL1850 / BL1850B / BL1860B
Зарядное устройство		DC18RC / DC18RD / DC18RE / DC18SD / DC18SE / DC18SF

- В зависимости от региона проживания некоторые блоки аккумуляторов и зарядные устройства, перечисленные выше, могут быть недоступны.

**⚠ ОСТОРОЖНО:** Используйте только перечисленные выше блоки аккумуляторов и зарядные устройства. Использование других блоков аккумуляторов и зарядных устройств может привести к травме и/или пожару.

### Символы

Ниже приведены символы, используемые для обозначения. Перед использованием убедитесь, что вы понимаете их значение.

	Прочитайте руководство по эксплуатации.
	Надевайте защитные очки.
	Во время работы не прикасайтесь к плашке.
	Контролируйте положение резьбовой шпильки.
	Во время работы не приближайте инструмент к лицу.



Только для стран ЕС  
Не выбрасывайте электрооборудование или аккумуляторы вместе с бытовым мусором! В соответствии с европейскими директивами об утилизации электрического и электронного оборудования, о батареях и аккумуляторах, а также использованных батареях и аккумуляторах и их применении в соответствии с местными законами электрооборудование, батареи и аккумуляторы, срок эксплуатации которых истек, должны утилизироваться отдельно и передаваться для утилизации на предприятие, соответствующее применяемым правилам охраны окружающей среды.

### Назначение

Этот инструмент предназначен для резания резьбовых шпилек.

### Шум

Типичный уровень взвешенного звукового давления (A), измеренный в соответствии с EN62841:  
Уровень звукового давления (L<sub>рA</sub>): 71 дБ (A)  
Погрешность (K): 3 дБ (A)

Уровень шума при выполнении работ может превышать 80 дБ (A).

**⚠ ОСТОРОЖНО:** Используйте средства защиты слуха.



## Вибрация

Суммарное значение вибрации (сумма векторов по трем осям), определенное в соответствии с EN62841:

Рабочий режим: обрезка резьбовой шпильки из нержавеющей стали (диаметр шпильки –  $W3/8$ )  
Распространение вибрации ( $a_h$ ): 2,5 м/с<sup>2</sup> или менее  
Погрешность (K): 1,5 м/с<sup>2</sup>

**ПРИМЕЧАНИЕ:** Заявленное значение распространения вибрации измерено в соответствии со стандартной методикой испытаний и может быть использовано для сравнения инструментов.

**ПРИМЕЧАНИЕ:** Заявленное значение распространения вибрации можно также использовать для предварительных оценок воздействия.

**⚠ОСТОРОЖНО:** Распространение вибрации во время фактического использования электроинструмента может отличаться от заявленного значения в зависимости от способа применения инструмента.

**⚠ОСТОРОЖНО:** Обязательно определите меры безопасности для защиты оператора, основанные на оценке воздействия в реальных условиях использования (с учетом всех этапов рабочего цикла, таких как выключение инструмента, работа без нагрузки и включение).

## Декларация о соответствии ЕС

*Только для европейских стран*

Декларация о соответствии ЕС включена в руководство по эксплуатации (Приложение А).

## МЕРЫ БЕЗОПАСНОСТИ

### Общие рекомендации по технике безопасности для электроинструментов

**⚠ОСТОРОЖНО:** Ознакомьтесь со всеми представленными инструкциями по технике безопасности, указаниями, иллюстрациями и техническими характеристиками, прилагаемыми к данному электроинструменту. Несоблюдение каких-либо инструкций, указанных ниже, может привести к поражению электрическим током, пожару и/или серьезной травме.

### Сохраните брошюру с инструкциями и рекомендациями для дальнейшего использования.

Термин "электроинструмент" в предупреждениях относится ко всему инструменту, работающему от сети (с проводом) или на аккумуляторах (без провода).

## Правила техники безопасности при эксплуатации аккумуляторного резчика резьбовых шпилек

1. **Крепко держите инструмент.**
2. **Надежно закрепляйте обрабатываемую деталь.**
3. **Ваше лицо и руки должны находиться на расстоянии от движущихся частей.** Во время резания часть резьбовой шпильки может отлететь.
4. **При обработке резьбовых шпилек обязательно надевайте защитные перчатки.** Кромки и опилки обрабатываемой детали острые.
5. **Не кладите инструмент на опилки обрабатываемой детали.** Это может привести к повреждению и неисправности инструмента.
6. **При выполнении работ всегда занимайте устойчивое положение.** При использовании инструмента на высоте убедитесь в отсутствии людей внизу.
7. **Сразу после окончания работ не прикасайтесь к режущей кромке или обрабатываемой детали;** они могут быть очень горячими, что приведет к ожогам кожи.
8. **Не допускайте разрезания электрических проводов.** Это может привести к несчастному случаю с тяжелыми последствиями в результате поражения током.
9. **Чтобы не допустить падения резьбовой шпильки, крепко держите резьбовую шпильку во время и после резания.** В случае падения с большой высоты резьбовая шпилька может причинить тяжелую травму.
10. **Держите инструмент на безопасном расстоянии от своего тела.** Не используйте инструмент, если размеры рабочей зоны не позволяют находиться на безопасном расстоянии от инструмента.
11. **Не оставляйте инструмент на высоте или на потенциально неустойчивой поверхности.**

## СОХРАНИТЕ ДАННЫЕ ИНСТРУКЦИИ.

**⚠ОСТОРОЖНО:** НЕ ДОПУСКАЙТЕ, чтобы удобство или опыт эксплуатации данного устройства (полученный от многократного использования) доминировали над строгим соблюдением правил техники безопасности при обращении с этим устройством.

**НЕПРАВИЛЬНОЕ ИСПОЛЬЗОВАНИЕ** инструмента или несоблюдение правил техники безопасности, указанных в данном руководстве, может привести к тяжелой травме.

## Важные правила техники безопасности для работы с аккумуляторным блоком

1. Перед использованием аккумуляторного блока прочитайте все инструкции и предупреждающие надписи на (1) зарядном устройстве, (2) аккумуляторном блоке и (3) инструменте, работающем от аккумуляторного блока.
2. Не разбирайте аккумуляторный блок.
3. Если время работы аккумуляторного блока значительно сократилось, немедленно прекратите работу. В противном случае, может возникнуть перегрев блока, что приведет к ожогам и даже к взрыву.
4. В случае попадания электролита в глаза промойте их обильным количеством чистой воды и немедленно обратитесь к врачу. Это может привести к потере зрения.
5. Не замыкайте контакты аккумуляторного блока между собой:
  - (1) Не прикасайтесь к контактам какими-либо токопроводящими предметами.
  - (2) Не храните аккумуляторный блок в контейнере вместе с другими металлическими предметами, такими как гвозди, монеты и т. п.
  - (3) Не допускайте попадания на аккумуляторный блок воды или дождя.

Замыкание контактов аккумуляторного блока между собой может привести к возникновению большого тока, перегреву, возможным ожогам и даже поломке блока.

6. Не храните инструмент и аккумуляторный блок в местах, где температура может достигать или превышать 50 °C (122 °F).
7. Не бросайте аккумуляторный блок в огонь, даже если он сильно поврежден или полностью вышел из строя. Аккумуляторный блок может взорваться под действием огня.
8. Не роняйте и не ударяйте аккумуляторный блок.
9. Не используйте поврежденный аккумуляторный блок.
10. Входящие в комплект литий-ионные аккумуляторы должны эксплуатироваться в соответствии с требованиями законодательства об опасных товарах. При коммерческой транспортировке, например, третьей стороной или экспедитором, необходимо нанести на упаковку специальные предупреждения и маркировку.

В процессе подготовки устройства к отправке обязательно проконсультируйтесь со специалистом по опасным материалам. Также соблюдайте местные требования и нормы. Они могут быть строже. Закройте или закрепите разомкнутые контакты и упакуйте аккумулятор так, чтобы он не перемещался по упаковке.

11. Выполняйте требования местного законодательства относительно утилизации аккумуляторного блока.
12. Используйте аккумуляторы только с продукцией, указанной Makita. Установка аккумуляторов на продукцию, не соответствующую требованиям, может привести к пожару, перегреву, взрыву или утечке электролита.

## СОХРАНИТЕ ДАННЫЕ ИНСТРУКЦИИ.

**▲ВНИМАНИЕ:** Используйте только фирменные аккумуляторные батареи Makita. Использование аккумуляторных батарей, не произведенных Makita, или батарей, которые были подвергнуты модификациям, может привести к взрыву аккумулятора, пожару, травмам и повреждению имущества. Это также автоматически аннулирует гарантию Makita на инструмент и зарядное устройство Makita.

## Советы по обеспечению максимального срока службы аккумулятора

1. Заряжайте блок аккумуляторов перед его полной разрядкой. Обязательно прекратите работу с инструментом и зарядите блок аккумуляторов, если вы заметили снижение мощности инструмента.
2. Никогда не подзаряжайте полностью заряженный блок аккумуляторов. Перезарядка сокращает срок службы аккумулятора.
3. Заряжайте блок аккумуляторов при комнатной температуре в 10 - 40 °C (50 - 104 °F). Перед зарядкой горячего блока аккумуляторов дайте ему остыть.
4. Зарядите ионно-литиевый аккумуляторный блок, если вы не будете пользоваться инструментом длительное время (более шести месяцев).

## ОПИСАНИЕ ДЕТАЛЕЙ

► Рис. 1

1	Неподвижная оправка	2	Подвижная оправка	3	Плашка	4	Болт
5	Крючок	6	Место крепления плечевого ремня (для дополнительной принадлежности)	7	Шестигранный ключ	8	Лампа (внутри)
9	Передняя сторона	10	Триггерный переключатель	11	Рычаг реверсивного переключателя	12	Направляющая для шпильки
13	Ограничитель со шкалой	14	Зажимной винт	15	Крышка	-	-

# ОПИСАНИЕ РАБОТЫ

**ВНИМАНИЕ:** Перед регулировкой или проверкой функций инструмента обязательно убедитесь, что он выключен и его аккумуляторный блок снят.

## Установка или снятие блока аккумулятора

**ВНИМАНИЕ:** Обязательно выключайте инструмент перед установкой и извлечением аккумуляторного блока.

**ВНИМАНИЕ:** При установке и извлечении аккумуляторного блока крепко удерживайте инструмент и аккумуляторный блок. Если не соблюдать это требование, они могут выскользнуть из рук, что приведет к повреждению инструмента, аккумуляторного блока и травмированию оператора.

► **Рис.2:** 1. Красный индикатор 2. Кнопка 3. Блок аккумулятора

Для снятия аккумуляторного блока нажмите кнопку на лицевой стороне и извлеките блок.

Для установки аккумуляторного блока совместите выступ аккумуляторного блока с пазом в корпусе и задвиньте его на место. Устанавливайте блок до упора так, чтобы он зафиксировался на месте с небольшим щелчком. Если вы можете видеть красный индикатор на верхней части клавиши, адаптер аккумулятора не полностью установлен на месте.

**ВНИМАНИЕ:** Обязательно устанавливайте аккумуляторный блок до конца, чтобы красный индикатор не был виден. В противном случае аккумуляторный блок может выпасть из инструмента и нанести травму вам или другим людям.

**ВНИМАНИЕ:** Не прилагайте чрезмерных усилий при установке аккумуляторного блока. Если блок не двигается свободно, значит он вставлен неправильно.

## Система защиты инструмента/аккумулятора

На инструменте предусмотрена система защиты инструмента/аккумулятора. Она автоматически отключает питание двигателя для продления срока службы инструмента и аккумулятора. Инструмент автоматически остановится во время работы при возникновении указанных ниже ситуаций. В некоторых ситуациях загораются индикаторы.

## Защита от перегрузки

Если из-за способа эксплуатации инструмент потребляет очень большое количество тока, он автоматически остановится без включения каких-либо индикаторов. В этом случае выключите инструмент и прекратите работу, повлекшую перегрузку инструмента. Затем включите инструмент для перезапуска.

**ПРИМЕЧАНИЕ:** При попытке разрезать указанные ниже виды резьбовых шпилек срабатывает защита от перегрузки.

- Резьбовая шпилька, размеры которой превосходят размеры плашки.
- Слишком твердая резьбовая шпилька, для разрезания которой режущей способности плашки недостаточно.

## Защита от перегрева

При перегревании инструмент автоматически останавливается и начинает мигать светодиодная подсветка. Дайте инструменту остыть перед возобновлением работы.

## Защита от переразрядки


















При истощении заряда аккумулятора инструмент автоматически останавливается. Если устройство не работает даже после нажатия переключателей, снимите аккумуляторы с инструмента и зарядите их.

## Индикация оставшегося заряда аккумулятора

*Только для блоков аккумулятора с индикатором*

► **Рис.3:** 1. Индикаторы 2. Кнопка проверки

Нажмите кнопку проверки на аккумуляторном блоке для проверки заряда. Индикаторы загорятся на несколько секунд.

Индикаторы			Уровень заряда
 Горит	 Выкл.	 Мигает	
			от 75 до 100%
			от 50 до 75%
			от 25 до 50%
			от 0 до 25%
			Зарядите аккумуляторную батарею.
 	 		Возможно, аккумуляторная батарея неисправна.

**ПРИМЕЧАНИЕ:** В зависимости от условий эксплуатации и температуры окружающего воздуха индикация может незначительно отличаться от фактического значения.

## Действие выключателя

**⚠ВНИМАНИЕ:** Перед установкой аккумуляторного блока в инструмент обязательно убедитесь, что его триггерный переключатель нормально работает и возвращается в положение "OFF" (ВЫКЛ) при отпуске.

Чтобы начать процесс резания, нажмите триггерный переключатель. Плашка на подвижной оправке переместится с перекрытием относительно плашки на неподвижной оправке и вернется в исходное положение. Если отпустить триггерный переключатель до завершения резания, плашка остановится.

► **Рис.4:** 1. Триггерный переключатель

► **Рис.5:** 1. Неподвижная оправка 2. Плашка 3. Подвижная оправка

**ПРИМЕЧАНИЕ:** Не эксплуатируйте инструмент без нагрузки, если в этом нет необходимости.

## Функция автоматической остановки

Если продолжить нажимать триггерный переключатель, зажим плашки сомкнется и вернется в полностью открытое положение, после чего полностью остановится. Отпустите переключатель и снова нажмите его, чтобы начать новый процесс резания.

## Рычаг реверсивного переключателя

**⚠ОСТОРОЖНО:** Если инструмент не используется, переведите рычаг реверсивного переключателя в заблокированное положение.

**⚠ВНИМАНИЕ:** Перед началом работы следует проверять положение рычага реверсивного переключателя.

**ПРИМЕЧАНИЕ:** Не перемещайте рычаг реверсивного переключателя, если триггерный переключатель нажат. Это может привести к повреждению инструмента.

Чтобы начать процесс резания, установите рычаг реверсивного переключателя в положение резания. Чтобы изменить направление последовательности резания на обратное, переведите рычаг реверсивного переключателя в положение реверса. Если продолжить нажимать триггерный переключатель, зажим плашки разомкнется и останется в полностью открытом положении.

Чтобы заблокировать триггерный переключатель, установите рычаг реверсивного переключателя в положение блокировки. В этом положении нажать триггерный переключатель невозможно.

► **Рис.6:** 1. Рычаг реверсивного переключателя 2. Положение резания 3. Положение блокировки 4. Положение реверса

**ПРИМЕЧАНИЕ:** Если рычаг реверсивного переключателя находится в положении реверса, используйте инструмент только по мере необходимости. При продолжительной работе в положении реверса инструмент автоматически остановится для предотвращения повреждения.

**ПРИМЕЧАНИЕ:** После выполнения резания, если отпустить триггерный переключатель, пока зажим плашки размыкается, и установить рычаг реверсивного переключателя в положение реверса, зажим сомкнется и разомкнется, если нажать триггерный переключатель снова.

## Светодиодная подсветка

**⚠ВНИМАНИЕ:** Не смотрите непосредственно на свет или источник света.

Чтобы включить лампу, нажмите триггерный переключатель. Лампа будет светиться до тех пор, пока нажат триггерный переключатель. Лампа гаснет приблизительно через 15 секунд после отпускания триггерного переключателя.

► **Рис.7:** 1. Лампа (внутри)

**ПРИМЕЧАНИЕ:** Для удаления пыли с линзы лампы используйте сухую ткань. Не допускайте возникновения царапин на линзе лампы, так как это приведет к снижению освещенности.

**ПРИМЕЧАНИЕ:** При перегреве инструмента начинает мигать лампа. В этом случае следует дать инструменту остыть.

## Ограничитель со шкалой

Если необходимо отрезать резьбовые шпильки на одинаковую длину, используйте ограничитель со шкалой. Вставьте ограничитель со шкалой в отверстие, как показано на рисунке.

► **Рис.8:** 1. Ограничитель со шкалой 2. Зажимной винт

Совместите значение желаемой длины на ограничителе со шкалой с линией отреза. Затяните зажимной винт.

► **Рис.9:** 1. Ограничитель со шкалой 2. Линия отреза 3. Зажимной винт

**⚠ВНИМАНИЕ:** Не держитесь за ограничитель со шкалой при переноске инструмента или манипуляциях с ним. Инструмент может выпасть и стать причиной травмы и/или получить повреждения.

## Направляющая для шпильки

Для точного резания установите направляющую для шпильки в соответствующее положение с учетом диаметра отрезаемой резьбовой шпильки.

► **Рис.10:** 1. Направляющая для шпильки (положение 1) 2. Направляющая для шпильки (положение 2)

Имеется два положения направляющей для шпильки.

Положение	Размер резьбовой шпильки
1	W3/8, M10
2	M8, M6

## Крючок

**ВНИМАНИЕ:** Не подвешивайте инструмент в месте, подверженном воздействию сильного ветра, или на потенциально неустойчивой поверхности.

**ВНИМАНИЕ:** Не используйте крючок, если он деформирован или поврежден.

**ВНИМАНИЕ:** Если инструмент не используется, сложите крючок.

Крючок используется для временного подвешивания инструмента.

► **Рис.11:** 1. Крючок

**ВНИМАНИЕ:** Не цепляйте крючок на поясной ремень. Это может привести к травмам и/или повреждению инструмента при падении.

► **Рис.12**

## Хранение шестигранного ключа

Когда шестигранный ключ не используется, храните его, как показано на рисунке, чтобы не потерять.

► **Рис.13:** 1. Шестигранный ключ

## Плечевой ремень

### Дополнительные принадлежности

Для переноски инструмента предусмотрен плечевой ремень.

► **Рис.14:** 1. Плечевой ремень 2. Конец ремня 3. Замок

**ВНИМАНИЕ:** Всегда надевайте плечевой ремень поперек тела и соответствующим образом регулируйте длину.

**ВНИМАНИЕ:** Не используйте плечевой ремень, если он поврежден.

**ВНИМАНИЕ:** Чтобы не допустить выскальзывания ремня из замка, выведите конец ремня из замка на достаточную длину.

## СБОРКА

**ВНИМАНИЕ:** Перед проведением каких-либо работ с инструментом обязательно убедитесь, что инструмент отключен, а блок аккумулятора снят.

## Установка плавки

**ВНИМАНИЕ:** Установите плавку в правильном направлении и надежно закрепите. Неправильная установка или ненадежное крепление могут привести к повреждению плавки, что может стать причиной травмирования отскокшими частицами.

**ПРИМЕЧАНИЕ:** Удалите заусенцы на плавке напильником.

1. Убедитесь в том, что зажим плавки полностью разомкнут. В противном случае установите аккумулятор и нажимайте триггерный переключатель, пока зажим не разомкнется полностью.

**ВНИМАНИЕ:** Не забудьте извлечь блок аккумулятора, если установлен.

2. Переведите рычаг реверсивного переключателя в положение блокировки.

► **Рис.15:** 1. Рычаг реверсивного переключателя

3. Отвинтите болты с шестигранным ключом из комплекта поставки.

**ВНИМАНИЕ:** Пользуйтесь только ключами Makita, поставляемыми с инструментом. Использование других ключей может привести к чрезмерному или недостаточному затягиванию, что может стать причиной травмы.

4. Установите плавки в оправку таким образом, чтобы были видны две цветных метки.

► **Рис.16:** 1. Болт 2. Плавка 3. Неподвижная оправка 4. Подвижная оправка 5. Цветная метка 6. Шестигранный ключ

5. Надежно закрепите плавку болтами.

Плавки считаются правильно установленными, если стрелки на них указывают друг на друга. Размеры плавшек одинаковы, но их толщина кажется разной, если смотреть сверху.

► **Рис.17:** 1. Стрелка 2. Плавка 3. Тонкая сторона 4. Толстая сторона

## ЭКСПЛУАТАЦИЯ

**▲ВНИМАНИЕ:** Убедитесь в том, что в инструмент установлены плашки правильного размера. Перед началом резания проверьте значение режущей способности, указанное на плашке.

**▲ВНИМАНИЕ:** Перед тем, как нажать триггерный переключатель, установите резцовую шпильку таким образом, чтобы резба на ней совпала с резбой на плашке. Неправильное совмещение резб может привести к поломке плашки и может стать причиной травмирования отскокившими частицами.

**▲ВНИМАНИЕ:** Замените плашку, если на режущей кромке имеются выбоины или она деформирована.

Во время резания располагайте резцовую шпильку перпендикулярно линии отреза, как показано на рисунке.

► **Рис.18:** 1. Линия отреза

**ПРИМЕЧАНИЕ:** При резании резцовой шпильки, изготовленной из ковкого металла, например нержавеющей стали, на срезанном конце могут образоваться заусенцы. Удалите заусенцы напильником.

► **Рис.19:** 1. Резцовая шпилька 2. Заусенец

## Срезание зафиксированных резцовых шпилек

Срезание резцовой шпильки, закрепленной в строительной конструкции, например в потолке, стене, полу и т. д., выполняйте по указанной ниже процедуре.

► **Рис.20:** 1. Резцовая шпилька 2. Плашка на неподвижной оправке

1. Разместите инструмент таким образом, чтобы резцовая шпилька находилась между плашками.
2. Пока резцовая шпилька касается направляющей для шпильки, совместите резбу шпильки с резбой на плашке на неподвижной оправке.
3. Нажмите и удерживайте триггерный переключатель до завершения резания и пока зажим плашки не переместится в полностью разомкнутое положение.

**ПРИМЕЧАНИЕ:** Перед началом работы очищайте переднюю сторону инструмента и конец ограничителя со шкалой. Они могут загрязнить контактную поверхность.

## Срезание незафиксированных резцовых шпилек

При срезании незафиксированных резцовых шпилек на полу или рабочем столе следуйте указанной ниже процедуре.

► **Рис.21:** 1. Резцовая шпилька 2. Плашка на неподвижной оправке

1. Расположите резцовую шпильку между плашками.
2. Пока резцовая шпилька касается направляющей для шпильки, совместите резбу шпильки с резбой на плашке на неподвижной оправке.
3. Нажмите и удерживайте триггерный переключатель до завершения резания и пока зажим плашки не переместится в полностью разомкнутое положение.

При отрезании длинной резцовой шпильки, которую трудно удерживать рукой, расположите инструмент, как показано на рисунке. Инструмент можно разместить горизонтально. В качестве опоры для конца резцовой шпильки также можно использовать крышку.

► **Рис.22:** 1. Крышка (положение 1) 2. Направляющая для шпильки (положение 1) 3. Крышка (положение 2) 4. Направляющая для шпильки (положение 2)

Для обозначения положения на крышке имеются метки. В зависимости от размера резцовой шпильки расположите крышку, а также направляющую для шпилек, как показано в таблице.

Положение	Размер резцовой шпильки
1	W3/8, M10
2	M8, M6

## Прекращение резания в средней части детали

**▲ВНИМАНИЕ:** Не пытайтесь вытянуть инструмент из резцовой шпильки с усилием. Это может привести к непредвиденному включению, что повлечет за собой травму или повреждение плашки и инструмента.

При прекращении резания в средней части детали переведите рычаг реверсивного переключателя в положение реверса и нажимайте триггерный переключатель, пока резцовая шпилька полностью не выйдет из плашек.

## ОБСЛУЖИВАНИЕ

**⚠ ВНИМАНИЕ:** Перед проведением проверки или работ по техобслуживанию всегда проверяйте, что инструмент выключен, а блок аккумулятора снят.

**ПРИМЕЧАНИЕ:** Запрещается использовать бензин, растворители, спирт и другие подобные жидкости. Это может привести к обесцвечиванию, деформации и трещинам.

### Замена плашек

**ПРИМЕЧАНИЕ:** Обе плашки следует заменять одновременно. В случае замены плашки только с одной стороны на резьбовой шпильке могут появиться заусенцы.

Заменяйте плашку, если на ней появились выбоины, она деформировалась или режущие кромки затупились. Замену выполняйте в соответствии с инструкциями в разделе "Установка плашки".

► **Рис.23:** 1. Выбоина 2. Деформация

На плашке имеется две режущие кромки, а также толстая и тонкая стороны. Поменяйте положения установки плашки, если другие стороны режущей кромки не использовались.

► **Рис.24:** 1. Режущая кромка 2. Тонкая сторона  
3. Толстая сторона

## Переноска и хранение инструмента

**⚠ ВНИМАНИЕ:** Когда инструмент не используется, закрывайте режущую часть крышкой из комплекта.

Устанавливайте крышку при переноске инструмента. На время хранения извлекайте из инструмента блок аккумулятора и ограничитель со шкалой. Удалите пыль с плашки и подвижных частей. После этого установите крышку.

► **Рис.25:** 1. Крышка

Для обеспечения БЕЗОПАСНОСТИ и НАДЕЖНОСТИ оборудования ремонт, любое другое техобслуживание или регулировку необходимо производить в уполномоченных сервис-центрах Makita или сервис-центрах предприятия с использованием только сменных частей производства Makita.

## ДОПОЛНИТЕЛЬНЫЕ ПРИНАДЛЕЖНОСТИ

**⚠ ВНИМАНИЕ:** Данные принадлежности или приспособления рекомендуются для использования с инструментом Makita, указанным в настоящем руководстве. Использование других принадлежностей или приспособлений может привести к получению травмы. Используйте принадлежность или приспособление только по указанному назначению.

Если вам необходимо содействие в получении дополнительной информации по этим принадлежностям, свяжитесь с вашим сервис-центром Makita.

- Плашки
- Плечевой ремень
- Оригинальный аккумулятор и зарядное устройство Makita

**ПРИМЕЧАНИЕ:** Некоторые элементы списка могут входить в комплект инструмента в качестве стандартных приспособлений. Они могут отличаться в зависимости от страны.

**Makita Europe N.V.** Jan-Baptist Vinkstraat 2,  
3070 Kortenberg, Belgium

**Makita Corporation** 3-11-8, Sumiyoshi-cho,  
Anjo, Aichi 446-8502 Japan

[www.makita.com](http://www.makita.com)

885631-989 EN, SV, NO, FI, LV, LT, ET, RU 20171121
---