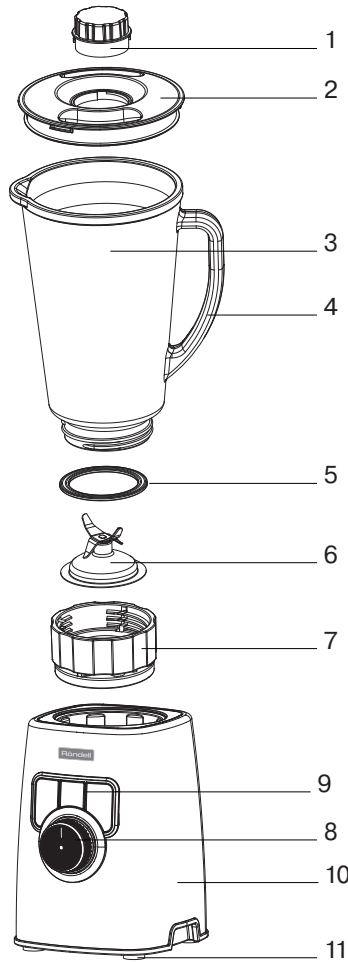




RDE-1250



НАСТОЛЬНЫЙ БЛЕНДЕР
TABLE BLENDER
RDE-1250

GB	MANUAL INSTRUCTION	4
DE	DIE BETRIEBSANWEISUNG	8
RUS	ИНСТРУКЦИЯ ПО ЭКСПЛУАТАЦИИ	13

ENGLISH

TABLE BLENDER RDE-1250

The unit is intended for chopping and mixing various ingredients for making sauces, soups, milkshakes, chopping ice and making smoothies.

DESCRIPTION

1. Beaker
2. Blender bowl lid
3. Glass bowl
4. Bowl handle
5. Sealing gasket
6. Knife block
7. Knife block holder
8. On/off/speed control knob
9. «Smoothie–Pulse–Ice crush» operation mode buttons
10. Motor unit body
11. Support legs
12. Pulse mode on/auto programs off button «Pulse»
13. «Ice crush» ice chopping auto program button
14. «Smoothie» smoothie making auto program button

ATTENTION!

For additional protection it is reasonable to install a residual current device (RCD) with nominal operation current not exceeding 30 mA, to install RCD, contact a specialist.

Before using the unit read this instruction manual carefully. It contains the necessary information for safe and proper use of the unit. Keep this manual for reference for the period of operation of the unit.

Strictly follow all the recommendations and conditions specified in this manual. Non-compliance thereof can result in the unit damage and prevent you from getting free warranty service.

SAFETY MEASURES

Use the unit according to its intended purpose only, as it is stated in this user manual. Mishandling the unit can lead to its breakage and cause harm to the user or damage to his/her property.

- Before connecting the unit to the mains, make sure that the voltage specified on the unit corresponds to your home mains voltage.
- Do not use the unit outdoors.
- Always unplug the unit when you are not using it.
- The knife block cutting edges are very sharp and dangerous. Handle the knife block very carefully when dismantling the unit or removing the processed food from the blender bowl and during cleaning!

- Cool down hot products, temperature of products should not exceed 70°C.
- Do not switch the unit on without products to process.
- **Do not use the unit to process very hard and dry ingredients, otherwise the knives' cutting edges can go blunt.**
- **Do not use** the unit without liquid in the pitcher, otherwise it will lead to overheating and damage of the unit.
- **To avoid overheating of the motor unit do not process hard ingredients without liquid in the bowl, the proportion of the product and the liquid should be 2:3. The amount of the mixture should not exceed the maximal level mark on the bowl.**
- In case the knives suddenly stop rotating, unplug the unit and only after that remove the ingredients which block the knives rotation.
- Do not overfill the blender bowl with products and watch the level of liquids.
- Remove products and pour out liquids from the blender bowl only after complete stop of the knives.
- When unplugging the unit, hold the plug; do not pull the power cord.
- Do not let the cord hang from the edge of the table and make sure it does not touch hot surfaces or sharp edges of furniture.
- Do not touch the power plug with wet hands.
- Do not leave the operating unit unattended.
- Do not use the unit near the kitchen sink; do not expose the unit to moisture.
- To avoid electric shock, do not immerse the power cord, the power plug and the motor unit in water or any other liquids.
- If the unit is dropped into water, unplug it immediately, and only then take it out of the water.
- Do not allow children to touch the motor unit and the power cord during the unit operation.
- This unit is not intended for usage by children.
- During the unit's operation and breaks between operation cycles, place the unit out of reach of children.
- The unit is not intended to be used by people with physical, sensory or mental disabilities (including children) or by persons lacking experience or knowledge if they are not under supervision of a person who is responsible for their safety or if they are not instructed by this person on the usage of the unit.
- Do not leave children unattended to avoid them using the unit as a toy.
- For children safety reasons, do not leave polyethylene bags, used as a packaging, unattended.

Attention! Do not allow children to play with polyethylene bags or packaging film. **Danger of suffocation!**

- If the power cord is damaged, it should be replaced by the manufacturer, a maintenance service or similar qualified personnel to avoid danger.
- Do not attempt to repair the unit. Do not disassemble the unit by yourself, if any malfunction is detected or after it was dropped, unplug the unit and apply to any authorized service center from the contact address list given in the warranty certificate and on the website www.rondell.ru.
- Transport the unit in the original package only.
- Keep the unit out of reach of children and disabled persons.

THIS UNIT IS INTENDED FOR HOUSEHOLD USE ONLY. ITS COMMERCIAL USAGE AND USAGE IN PRODUCTION AREAS AND WORK SPACES IS PROHIBITED.

BEFORE THE FIRST USE

After unit transportation or storage at low temperature keep it for at least three hours at room temperature before switching on.

- Unpack the unit completely and remove any advertising stickers that can prevent the unit operation.
- Check the unit for damages, do not use a damaged unit.
- Before switching the unit on, make sure that your home mains voltage corresponds to the unit operating voltage.
- Before the first use wash all the removable parts (1, 2, 3) with warm water and neutral detergent and then dry thoroughly.
- Clean the motor unit (10) with a soft, slightly damp cloth and then wipe it dry.
- **Do not immerse the motor unit (10) into any liquids and do not wash it with water.**
- Place the blender on a flat stable surface.

ATTENTION! The blender is equipped with an automatic security device which prevents the motor from damage in case of overheating during the maximal operation. In case of the motor overheating the security device will automatically switch the blender off. If such thing happened, unplug the blender and wait until the motor cools down.

- Do not remove the blender bowl (3) and the bowl lid (2) during the operation.

USING THE BLENDER

The blender is intended for chopping and mixing different ingredients, making cocktails, chopping ice and making smoothies.

- Before chopping/mixing we recommend to peel fruit and vegetables, remove inedible parts, such as stones, and cut the ingredients to process into 2 x 2 x 2 cm cubes.
- Install the blender bowl (3) on the motor unit (10).
- Remove the blender bowl lid (2).
- Put the necessary ingredients into the bowl (3). If you are planning to process hard products, **first add liquid in the proportion 2:3 (2 portions of hard products, 3 portions of liquid).**
- Cover the blender bowl (3) with the lid (2), insert the measuring cup (1) into the lid (2) opening and turn it clockwise until bumping.
- Make sure once again that the blender bowl (3) is installed correctly.
- Insert the power plug into the mains socket, the buttons (12, 13, 14) illumination will light up.
- Turn the on/off/speed control knob (8) clockwise to the position ON, and the blender will start operating.
- Set the required knives rotation speed:
 - «Min» (low speed) – for mixing liquid products.
 - «Max» (high speed) – for liquid and hard products.

Notes:

- when the unit is switched on for the first time a foreign smell can appear from the electric motor - it is normal and is not covered by warranty.
- during the blender operation it is recommended to hold the motor unit body (10) with both hands, do not hold the blender by the blender bowl handle (4) and the motor unit body (10) at the same time.
- During the blender operation or between the operation cycles, you can add the required ingredients into the bowl (3). To do this, remove the measuring cup (1) turning it counterclockwise, you can use the measuring cup (1) as a bowl for adding necessary liquid ingredients. After adding the ingredients, place the cup (1) back to its place and turn it clockwise until bumping.
- After the unit operation is finished, set the on/off/speed control knob (8) to the position «OFF» and unplug the unit.
- Remove the blender bowl (3) from the motor unit (10).
- Remove the lid (2) from the bowl (3) and take the processed products out of the bowl (3).
- After the operation is finished, wash the blender bowl (3).

Attention! When processing hard product, always add liquid (water, liquor, juice) into the blender bowl in the proportion 2:3 (2 portions of the product, 3 portions of liq-

ENGLISH

uid). *Non-compliance with these conditions can lead to the unit damage!*

ATTENTION! *Continuous operation time of the blender should not exceed 3 minutes, and the break between two operations should be 1-3 minutes.*

OVERHEATING PROTECTION

The overheating protection system will switch the power supply off if the electric motor operating temperature is too high. If the blender switches off during the operation, set the on/off/speed control knob (8) to the position «OFF» and unplug the unit.

Let the blender cool down for 30-40 minutes and switch it on again.

The cooling time of the electric motor can vary from the time period stated above depending on the room temperature.

If the blender does not switch on after the electric motor has cooled down, it can be caused by another malfunction; in this case apply to the authorized service center.

AUTOMATIC PROGRAMS

Ice chopping

- Remove the lid (2), put the ice cubes in the bowl (3) and close the lid (2).
- Insert the power plug into the mains socket, the buttons (12, 13, 14) illumination will light up.
- Press the button (13) «Ice crush», the blender will switch on and the button (13) «Ice crush» illumination will be glowing.
- After 30 programmed operation cycles the blender will switch off and the buttons (12, 13, 14) illumination will light up.

Note: - if you need to switch the ice chopping auto program off, press the button «Pulse».

- Unplug the unit after the operation.
- Remove the lid (2) from the bowl (3) and take the chopped ice out of the bowl (3).
- After the operation is finished, wash the blender bowl (3).

Making smoothies

- Remove the lid (2), put the ingredients for making the smoothie in the bowl (3) and close the lid (2).
- Insert the power plug into the mains socket, the buttons (12, 13, 14) illumination will light up.
- Press the button (14) «Smoothie», the blender will switch on and the button (14) «Smoothie» illumination will be glowing.
- After 5 programmed operation cycles the blender will switch off and the buttons (12, 13, 14) illumination will light up.

Note: - if you need to switch the smoothie making auto program off, press the button «Pulse».

- Unplug the unit after the operation.
- Remove the lid (2) from the bowl (3) and take the ready smoothie out of the bowl (3).
- After the operation is finished, wash the blender bowl (3).

Pulse mode

- Use the pulse mode for short-time switching on of the blender at the maximal knife rotation speed.
- To switch the pulse mode on, press and hold the button (12) «Pulse», the button (12) «Pulse» illumination will be glowing. Release the button (12), and the blender will switch off.

Preliminary washing of the bowl (3) and the knife block (6)

- After you finish processing the products and remove them from the bowl (3), pour some water into the bowl (3), cover the bowl (3) with the lid (2) and place the bowl (3) on the blender body (10).
- Insert the power plug into the mains socket, the buttons (12, 13, 14) illumination will light up.
- Use the pulse mode for preliminary washing; press and hold the button (12) «Pulse», the button (12) «Pulse» illumination will be glowing. After 20-30 seconds release the button (12), and the blender will switch off.
- Remove the bowl (3), remove the lid (2) and drain the liquid from the bowl (3). Then clean the bowl (3) and the knife block (6), following the instructions below.

CLEANING AND MAINTENANCE

After the unit operation is finished, switch the blender off by setting the on/off/speed control knob (8) to the position «OFF» and unplug the unit.

- Remove the blender bowl (3) from the motor unit (10).
- Remove the lid (2) and take the processed products out of the bowl (3).
- Wash the bowl (3) preliminarily.
- Remove the knife block holder (7) from the bowl (3) turning it counterclockwise.
- Place the holder (7) with the knife block (6) down, remove the knife block (6) from the holder (7) taking it by the ledges and turning the knife block (6) clockwise.

WARNING: The knife block (6) cutting edges are very sharp and dangerous. Handle the knife block very carefully.

- Wash the bowl (3), the knife block holder (7) with the sealing gasket (5) with warm water and soft detergent and dry them.

- Wash the knife block (6) only from the knives side, do not immerse the knife block (6) fully into water or other liquids.
- You can wash the blender bowl (3) in a dishwashing machine after removing the knife block (6).
- Clean the unit body (10) with a soft damp cloth and then wipe it dry.
- Do not use coarse sponges, abrasives and solvents to clean the blender.
- **Do not immerse the blender motor unit (10) into any liquids; do not wash it in a dishwashing machine.**
- Install the knife block (6) into the holder (7) holding it by the ledges, turn the knife block (6) counterclockwise until bumping.
- Install the knife block holder (7) on the blender bowl (3) and thread it rotating clockwise.

STORAGE

- Follow the requirements of the "CLEANING AND CARE" section before taking the unit away for storage.
- Keep the unit in a dry clean place out of reach of children and disabled persons.

DELIVERY SET

Blender – 1 pc.
 Instruction manual – 1 pc.
 Warranty certificate – 1 pc.

TECHNICAL SPECIFICATIONS

Power supply: 220-240 V ~ 50-60 Hz
 Rated input power: 800 W
 Maximum power: 1500 W
 Bowl capacity: 1.8 L

RECYCLING



For environment protection do not throw out the unit and the batteries (if included), do not discard the unit and the batteries with usual household waste after the service life expiration; apply to specialized centers for further recycling. The waste generated during the disposal of the unit is subject to mandatory collection and consequent disposal in the prescribed manner.

For further information about recycling of this product apply to a local municipal administration, a disposal service or to the shop where you purchased this product.

The manufacturer preserves the right to change design, structure and specifications not affecting general principles of the unit operation without a preliminary notification due to which insignificant differences between the manual and product may be observed. If the user reveals such differences, please report them via e-mail info@rondell.ru for receipt of an updated manual.

Unit operating life is 3 years

Guarantee

Details regarding guarantee conditions can be obtained from the dealer from whom the appliance was purchased. The bill of sale or receipt must be produced when making any claim under the terms of this guarantee.



This product conforms to the EMC Directive 2014/30/EU and to the Low Voltage Directive 2014/35/EU.

DEUTSCH

STANDMIXER RDE-1250

Das Gerät ist zum Zerkleinern und Mixen verschiedener Zutaten für Soßen, Suppen, Milchmixgetränke und Smoothies sowie zum Eishacken bestimmt.

BESCHREIBUNG

1. Meßbecher
2. Deckel des Mixerbehälters
3. Glasbehälter
4. Behältergriff
5. Dichtung
6. Messereinheit
7. Messereinheitshalter
8. Ein-/Aus-/Geschwindigkeitsregelgriff
9. «Smoothie–Pulse–Ice Crush»-Betriebsasten
10. Motoreinheitsgehäuse
11. Stützfüße
12. Taste zum Pulsbetrieb einschalten/Ausschalten der automatischen «Pulse»-Betriebsprogramme
13. Einschalttaste des automatischen «Ice crush»-Eishackprogramms
14. Einschalttaste des automatischen «Smoothie»-Programms

ACHTUNG!

Als zusätzlicher Schutz ist es zweckmäßig, den FI-Schalter mit Nennstrom maximal bis 30 mA im Stromversorgungskreis aufzustellen; wenden Sie sich dafür an einen Spezialisten. Lesen Sie diese Betriebsanleitung vor dem ersten Gerätegebrauch sorgfältig durch, sie enthält die erforderlichen Informationen zu einer sicheren und richtigen Geräteverwendung. Bewahren Sie die Betriebsanleitung während der ganzen Gerätebetriebsdauer für spätere Referenz auf.

Befolgen Sie strikt alle in dieser Betriebsanleitung vorgeschriebenen Empfehlungen und Bedingungen. Ihre Nichtbeachtung kann zu einer Gerätebeschädigung mit keinem kostenlosen Garantieservice führen.

SICHERHEITSMABNAHMEN

Benutzen Sie das Gerät nur bestimmungsmäßig und laut dieser Betriebsanleitung. Nicht ordnungsgemäße Gerätenutzung kann zu seiner Störung führen und einen gesundheitlichen oder materiellen Schaden beim Nutzer hervorrufen.

- Bevor Sie das Gerät ans Stromnetz anschließen, prüfen Sie, ob die Spannung, die am Gerät angegeben ist, und die Netzspannung in Ihrem Haus übereinstimmen.
- Es ist nicht gestattet, das Gerät draußen zu benutzen.

- Trennen Sie das Gerät vom Stromnetz unbedingt ab, wenn Sie es nicht benutzen.
- Die Schneidkanten der Messereinheit sind sehr scharf und gefährlich. Gehen Sie mit der Messereinheit sehr vorsichtig um, wenn Sie das Gerät auseinandernehmen, reinigen oder die bearbeiteten Nahrungsmittel aus dem Mixerbehälter herausnehmen!
- Lassen Sie heiße Nahrungsmittel abkühlen, die Nahrungsmitteltemperatur soll 70°C nicht übersteigen.
- Schalten Sie das Gerät ohne die zu bearbeitenden Nahrungsmittel nicht ein.
- **Es ist verboten, sehr harte und trockene Zutaten mit dem Gerät zu bearbeiten, da sonst die Messerschneidkanten stumpf werden können.**
- Es ist verboten, das Gerät ohne Flüssigkeit im Behälter zu verwenden, da es sonst zu Geräteüberhitzung und -beschädigung führt.
- **Um eine Überhitzung der Motoreinheit zu vermeiden, bearbeiten Sie keine harten Zutaten ohne Flüssigkeit im Behälter, das Nahrungsmittel-Flüssigkeit-Verhältnis beträgt 2:3. Die Mischungsmenge darf den auf dem Behälter angegebenen Füllstand nicht überschreiten.**
- Trennen Sie das Gerät im Falle einer unvorhergesehenen Unterbrechung der Messerdrehung vom Stromnetz ab, erst danach dürfen Sie die das Messerdrehen blockierenden Zutaten entfernen.
- Es ist nicht gestattet, den Mixerbehälter mit Nahrungsmitteln zu überlasten, achten Sie auf den Füllstand eingegossener Flüssigkeiten.
- Nehmen Sie Nahrungsmittel heraus und gießen Sie Flüssigkeiten aus dem Mixerbehälter erst dann ab, wenn die Messer völlig gestoppt haben.
- Wenn Sie den Netzstecker aus der Steckdose herausnehmen, ziehen Sie das Netzkabel nicht, sondern halten Sie den Netzstecker mit der Hand.
- Achten Sie darauf, dass das Netzkabel vom Tisch nicht herabhängt und heiße Oberflächen und scharfe Möbelkanten nicht berührt.
- Fassen Sie den Netzstecker mit nassen Händen nicht an.
- Lassen Sie das eingeschaltete Gerät nie unbeaufsichtigt.
- Verwenden Sie das Gerät in keiner Nähe eines Spülbeckens und setzen Sie es keiner Feuchtigkeit aus.
- Tauchen Sie das Netzkabel, den Netzstecker und die Motoreinheit in Wasser oder jegliche andere Flüssigkeiten nicht ein, um das Stromschlagrisiko zu vermeiden.

- Falls das Gerät ins Wasser gefallen ist, nehmen Sie den Netzstecker aus der Steckdose sofort heraus, erst danach holen Sie das Gerät aus dem Wasser heraus.
- Lassen Sie Kinder die Motoreinheit und das Netzkabel während des Mixerbetriebs nicht berühren.
- Dieses Gerät soll von Kindern nicht verwendet werden.
- Während des Betriebs und der Pausen zwischen den Betriebszyklen stellen Sie das Gerät nur an einem für Kinder unzugänglichen Ort auf.
- Dieses Gerät ist für Personen (darunter Kinder) mit Körper-, Nerven- und Geistesstörungen oder Personen ohne ausreichende Lebenserfahrung und Kenntnisse nicht geeignet, wenn sie sich unter Aufsicht keiner für ihre Sicherheit verantwortlichen Person befinden oder keine entsprechenden Gerätenutzungsanweisungen bekommen haben.
- Kinder sollen beaufsichtigt werden, damit sie mit dem Gerät nicht spielen.
- Aus Kindersicherheitsgründen lassen Sie Plastiktüten, die als Verpackung verwendet werden, nie ohne Aufsicht.

Achtung! Lassen Sie Kinder mit Plastiktüten oder Verpackungsfolien nicht spielen. **Erstickungsgefahr!**

- Wenn das Netzkabel beschädigt ist, soll es vom Hersteller, Kundendienst oder ähnlich qualifiziertem Personal ersetzt werden, um Gefahren zu vermeiden.
- Es ist nicht gestattet, das Gerät selbständig zu reparieren. Es ist nicht gestattet, das Gerät selbständig auseinanderzunehmen, bei der Feststellung jeglicher Beschädigungen oder im Sturzfall trennen Sie das Gerät vom Stromnetz ab und wenden Sie sich an einen autorisierten (bevollmächtigten) Kundendienst an die am Garantieschein und auf der Webseite www.rondell.ru angegebenen Kontaktadressen.
- Transportieren Sie das Gerät nur in der Fabrikverpackung.
- Bewahren Sie das Gerät an einem für Kinder und behinderte Personen unzugänglichen Ort auf.

DIESES GERÄT IST NUR FÜR DEN HAUSHALTSGEBRAUCH BESTIMMT. KOMMERZIELLE NUTZUNG UND VERWENDUNG DES GERÄTS IN BETRIEBSBEREICHEN UND ARBEITSRÄUMEN IST VERBOTEN.

VOR DER ERSTEN EINSCHALTUNG

- Falls das Gerät bei niedrigen Temperaturen transportiert oder aufbewahrt wurde, lassen Sie es bei der Raumlufttemperatur nicht weniger als drei Stunden bleiben.
- Packen das Gerät vollständig aus und entfernen Sie alle Aufkleber, die den Gerätebetrieb stören.

- Prüfen Sie die Unversehrtheit des Geräts, wenn das Gerät beschädigt ist, benutzen Sie es nicht.
 - Vor dem Einschalten vergewissern Sie sich, dass die Netzspannung und die Betriebsspannung des Geräts übereinstimmen.
 - Betreiben Sie das Gerät am Wechselstromnetz mit einer 50/60 Hz-Frequenz, für den Gerätebetrieb bei angemessener Nennfrequenz ist keine Einstellung erforderlich.
 - Spülen Sie vor dem ersten Gebrauch alle abnehmbaren Teile (1, 2, 3) mit Warmwasser und einem milden Reinigungsmittel und trocknen Sie sie gründlich ab.
 - Wischen Sie die Motoreinheit (10) mit einem weichen, leicht angefeuchteten Tuch ab, danach trocknen Sie sie ab.
 - **Es ist nicht gestattet, die Motoreinheit (10) in jegliche Flüssigkeiten einzutauchen und mit Wasser zu spülen.**
 - Stellen Sie den Standmixer auf einer ebenen standfesten Oberfläche auf.
- ACHTUNG!** Der Mixer ist mit einer automatischen Sicherungsvorrichtung, die den Motor vor einem Ausfall durch Überhitzung während des Maximallastbetriebs schützt, ausgestattet. Bei der Motorüberhitzung schaltet die Sicherung den Mixer automatisch aus. Trennen Sie in diesem Fall den Mixer vom Stromnetz ab und warten Sie eine Zeitlang, bis der Motor abkühlt.
- Es ist nicht gestattet, den Mixerbehälter (3) und den Deckel des Behälters (2) während des Gerätebetriebs abzunehmen.

STANDMIXERBETRIEB

- Der Mixer wird zum Zerkleinern und Mixen verschiedener Zutaten, Zubereiten von Milchmixgetränken und Smoothies sowie zum Eishacken verwendet.
- Vor dem Zerkleinern/Mixen ist es empfohlen, Obst und Gemüse zu schälen, ungenießbare Teile wie Samen zu entfernen und die zu bearbeitenden Nahrungsmittel in Würfel von etwa 2x2x2 cm zu schneiden.
- Stellen Sie den Mixerbehälter (3) auf die Motoreinheit (10) auf.
- Nehmen Sie den Deckel des Mixerbehälters (2) ab.
- Legen Sie notwendige Nahrungsmittel in den Behälter (3) ein. Wenn Sie harte Nahrungsmittel bearbeiten möchten, fügen Sie zuerst Flüssigkeit in einem **2:3-Verhältnis (2 Teile Hartnahrungsmittel und 3 Teile Flüssigkeit)** hinzu.
- Bedecken Sie den Mixerbehälter (3) mit dem Deckel (2), setzen Sie den Meßbecher (1) ins Loch im Deckel (2) ein und drehen Sie ihn im Uhrzeigersinn bis zum Anschlag.



DEUTSCH

- Überprüfen Sie erneut, ob der Mixerbehälter (3) richtig aufgestellt ist.
- Stecken Sie den Netzstecker in eine Steckdose ein, dabei leuchtet die Beleuchtung der Tasten (12, 13, 14).
- Drehen Sie den Ein-/Aus-/Geschwindigkeitsregelgriff (8) im Uhrzeigersinn auf „ON“, der Mixer beginnt zu funktionieren.
- Stellen Sie die gewünschte Messerdrehgeschwindigkeit ein:
«Min» (niedrige Geschwindigkeit) – zum Mixen flüssiger Nahrungsmittel;
«Max» (hohe Geschwindigkeit) – zum Mixen flüssiger und harter Nahrungsmittel;

Anmerkungen:

- bei erster Einschaltung kann ein Fremdgeruch vom Elektromotor entstehen – es ist normal und kein Garantiefall.
- während des Mixerbetriebs ist es empfohlen, das Motoreinheitengehäuse (10) mit den Händen festzuhalten und den Mixer nicht gleichzeitig am Behältergriff (4) und am Motoreinheitengehäuse (10) zu fassen.
- Während des Mixerbetriebs oder der Betriebspausen können Sie erforderliche Zutaten in den Behälter zugeben (3). Entfernen Sie dazu den Meßbecher (1), indem Sie ihn entgegen dem Uhrzeigersinn drehen; der Becher (1) kann als Behälter zum Zugeben erforderlicher flüssigen Zutaten verwendet werden. Nach dem Zugeben von Zutaten stellen Sie den Becher (1) zurück auf und drehen Sie ihn im Uhrzeigersinn bis zum Anschlag.
- Nach dem Gerätebetrieb stellen Sie den Ein-/Aus-/Geschwindigkeitsregelgriff (8) auf «OFF» und ziehen Sie den Netzstecker aus der Steckdose heraus.
- Nehmen Sie den Mixerbehälter (3) von der Motoreinheit (10) ab.
- Nehmen Sie den Deckel (2) vom Behälter (3) ab und entfernen Sie bearbeitete Nahrungsmittel aus dem Behälter (3).
- Spülen Sie den Mixerbehälter (3) nach dem Betrieb ab.

Achtung! Bei der Bearbeitung harter Nahrungsmittel geben Sie Flüssigkeit (Wasser, Brühe, Saft) in einem 2:3-Verhältnis (2 Teile Hartnahrungsmittel und 3 Teile Flüssigkeit) in den Mixerbehälter unbedingt zu. Bei Nichtbeachtung dieser Bedingungen kann das Gerät ausfallen!

ACHTUNG! Der Mixerdauerbetrieb soll 3 Minuten nicht überschreiten, und eine Zwischenpause soll 1 bis 3 Minuten betragen.

ÜBERHITZUNGSSCHUTZ

Das Überhitzungsschutzsystem unterbricht die Stromversorgung, wenn die Betriebstemperatur des Elektromotors über-

schritten wird. Wenn sich der Mixer während des Betriebs ausschaltet, stellen Sie den Ein-/ Aus-/Geschwindigkeitsregelgriff (8) auf «OFF» und ziehen Sie das Netzkabel aus der Steckdose heraus.

Lassen Sie den Mixer 30-40 Minuten abkühlen, dann schalten Sie ihn wieder ein.

Je nach Raumtemperatur kann die Abkühlzeit des Elektromotors vom angegebenen Zeitintervall abweichen.

Wenn sich der Mixer nach dem Abkühlen des Elektromotors nicht einschalten lässt, kann das von einer anderen Fehlfunktion zeugen, wenden Sie sich an einen autorisierten Kundendienst.

AUTOMATISCHE PROGRAMME

Eishacken

- Nehmen Sie den Deckel (2) ab, legen Sie Eisstücke in den Behälter (3) und schließen Sie den Deckel (2).
- Stecken Sie den Netzstecker in eine Steckdose ein, dabei leuchtet die Beleuchtung der Tasten (12, 13, 14).
- Drücken Sie die «Ice Crush»-Taste (13), der Mixer schaltet sich ein, dabei leuchtet nur die Beleuchtung der «Ice Crush»-Taste (13).
- Nach 30 programmierten Betriebszyklen schaltet sich der Mixer aus, dabei leuchtet die Beleuchtung aller Tasten (12, 13, 14).

Anmerkung: - wenn das automatische Eishackprogramm ausgeschaltet werden muss, drücken Sie die «Pulse»-Taste.

- Ziehen Sie den Netzstecker nach dem Betrieb aus der Steckdose heraus.
- Nehmen Sie den Deckel (2) vom Behälter (3) ab und entfernen Sie gehacktes Eis aus dem Behälter (3).
- Spülen Sie den Mixerbehälter (3) nach dem Betrieb ab.

Smoothie-Zubereitung

- Nehmen Sie den Deckel (2) ab, legen Sie die Smoothie-Zutaten in den Behälter (3) und schließen Sie den Deckel (2).
- Stecken Sie den Netzstecker in eine Steckdose ein, dabei leuchtet die Beleuchtung der Tasten (12, 13, 14).
- Drücken Sie die «Smoothie»-Taste (14), der Mixer schaltet sich ein, dabei leuchtet nur die Beleuchtung der «Smoothie»-Taste (14).
- Nach 5 programmierten Betriebszyklen schaltet sich der Mixer aus, dabei leuchtet die Beleuchtung aller Tasten (12, 13, 14).

Anmerkung: - wenn das automatische Smoothie-Programm ausgeschaltet werden muss, drücken Sie die «Pulse»-Taste.

- Ziehen Sie den Netzstecker nach dem Betrieb aus der Steckdose heraus.



- Entfernen Sie den Deckel (2) vom Behälter (3) und gießen Sie den zubereiteten Smoothie aus dem Behälter (3) aus.
- Spülen Sie den Mixerbehälter (3) nach dem Betrieb ab.

Pulsbetrieb

- Verwenden Sie den Pulsbetrieb, um den Mixer kurzzeitig mit maximaler Messergeschwindigkeit zu betreiben.
- Um den Pulsbetrieb einzuschalten, halten Sie die „Pulse“-Taste (12) gedrückt, dabei leuchtet nur die Beleuchtung der «Pulse»-Taste (12), lassen Sie die Taste (12) los – der Mixer schaltet sich aus.

Vorspülen des Behälters (3) und der Messereinheit (6)

- Nachdem Sie Nahrungsmittel bearbeitet und aus dem Behälter (3) entfernt haben, gießen Sie Wasser in den Behälter (3), bedecken Sie den Behälter (3) mit dem Deckel (2) und stellen Sie den Behälter (3) auf dem Mixergehäuse (10).
- Stecken Sie den Netzstecker in eine Steckdose ein, dabei leuchtet die Beleuchtung der Tasten (12, 13, 14).
- Verwenden Sie zum Vorspülen den Pulsbetrieb, halten Sie die «Pulse»-Taste (12) gedrückt, dabei leuchtet nur die Beleuchtung der «Pulse»-Taste (12), lassen Sie nach 20-30 Sekunden die Taste (12) los – der Mixer schaltet sich aus.
- Entfernen Sie den Behälter (3) und den Deckel (2), gießen Sie Flüssigkeit aus dem Behälter (3) aus und reinigen Sie dann den Behälter (3) und die Messereinheit (6) laut folgenden Empfehlungen.

REINIGUNG UND PFLEGE

Schalten Sie den Mixer nach dem Betrieb aus, indem Sie den Ein-/Aus-/Geschwindigkeitsregelgriff (8) auf «OFF» stellen, und ziehen Sie den Netzstecker aus der Steckdose heraus.

- Nehmen Sie den Mixerbehälter (3) von der Motoreinheit (10) ab.
- Entfernen Sie den Deckel (2) und nehmen Sie bearbeitete Nahrungsmittel aus dem Behälter (3) heraus.
- Spülen Sie den Behälter (3) vor.
- Entfernen Sie den Messereinheitshalter (7) vom Behälter (3), indem Sie ihn entgegen dem Uhrzeigersinn drehen.
- Stellen Sie den Halter (7) mit der Messereinheit (6) nach unten, entfernen Sie die Messereinheit (6) vom Halter (7), indem Sie die Vorsprünge fassen und die Messereinheit (6) im Uhrzeigersinn drehen.

ACHTUNG: Die Schneidkanten der Messereinheit (6) sind sehr scharf und gefährlich. Behandeln Sie die Messereinheit sehr vorsichtig.

- Spülen Sie den Behälter (3), den Messereinheitshalter (7) und die Dichtung (5) mit Warmwasser und einem milden Reinigungsmittel, dann trocknen Sie sie ab.
- Spülen Sie die Messereinheit (6) nur von der Messerseite aus und tauchen Sie die Messereinheit (6) in Wasser oder jegliche andere Flüssigkeit vollständig nicht ein.
- Der Mixerbehälter (3) kann ohne die Messereinheit (6) maschinell gespült werden.
- Wischen Sie das Gerätegehäuse (10) mit einem weichen feuchten Tuch, danach trocknen Sie es ab.
- Es ist nicht gestattet, harte Schwämme, abrasive Wasch- und Lösungsmittel für die Reinigung des Mixers zu benutzen.
- Es ist nicht gestattet, die Mixermessereinheit (7) in jegliche Flüssigkeiten einzutauchen und maschinell zu spülen.
- Setzen Sie die Messereinheit (6) in den Halter (7) ein, fassen Sie die Vorsprünge und drehen Sie die Messereinheit (6) entgegen dem Uhrzeigersinn bis zum Anschlag.
- Stellen Sie den Messereinheitshalter (7) auf den Mixerbehälter (3) auf und schrauben Sie ihn auf Gewinde im Uhrzeigersinn zu.

AUFBEWAHRUNG

- Bevor Sie das Gerät zur Aufbewahrung wegnehmen, befolgen Sie die Anforderungen des Abschnitts REINIGUNG UND PFLEGE.
- Bewahren Sie das Gerät an einem sauberen, trockenen und für Kinder und behinderte Personen unzugänglichen Ort auf.

LIEFERUMFANG

Mixer – 1 Stk.
Betriebsanleitung – 1 Stk.
Garantieschein – 1 Stk.

TECHNISCHE EIGENSCHAFTEN

Stromversorgung: 220-240 V ~ 50-60 Hz
Nennleistungsaufnahme: 800 W
Maximale Leistung: 1500 W
Fassungsvermögen des Behälters: 1,8 L

Der Hersteller behält sich das Recht vor, Design, Konstruktion und die das gemeine Gerätebetriebsprinzip nicht beeinflussende technische Eigenschaften ohne Vorbenachrichtigung zu verändern, deswegen kann sich die Betriebsanleitung vom Gerät gering unterscheiden. Bei Feststellung solcher

DEUTSCH

Unterschiede bitte teilen davon per E-Mail info@rondell.ru für eine aktualisierte Betriebsanleitung mit.

ENTSORGUNG



Zwecks Umweltschutz nach Beendigung der Nutzungsdauer des Gerätes und der Batterien (falls mitgeliefert), werfen Sie diese zusammen mit gewöhnlichen Haushaltsabfällen nicht weg, geben Sie das Gerät und die Batterien in die Spezialpunkte für weitere Entsorgung über.

Die bei der Entsorgung der Erzeugnisse entstehenden Abfälle sind unbedingt zu sammeln und weiter ordnungsmäßig zu entsorgen.

Mehrere Information zur Entsorgung dieses Produkts erhalten Sie bei Ihrer lokalen Stadtverwaltung, einem Abfallentsorgungsdienst oder beim Geschäft, wo Sie dieses Produkt gekauft haben.

Gerätenutzungsdauer beträgt 3 Jahre



Dieses Produkt entspricht der EMV-Richtlinie 2014/30/EU und der Niederspannungsrichtlinie 2014/35/EU.

НАСТОЛЬНЫЙ БЛЕНДЕР RDE-1250

Устройство предназначено для измельчения и смешивания разнообразных ингредиентов для приготовления соусов, супов, молочных коктейлей, колки льда и приготовления смузи.

ОПИСАНИЕ

1. Мерный стаканчик
2. Крышка чаши блендера
3. Стеклоянная чаша
4. Ручка чаши
5. Уплотнительная прокладка
6. Блок ножей
7. Держатель блока ножей
8. Ручка включения/выключения/регулировки скорости
9. Кнопки режимов работы «Smoothie–Pulse–Ice crush»
10. Корпус моторного блока
11. Опорные ножки
12. Кнопка включения импульсного режима работы/выключения автоматических программ работы «Pulse»
13. Кнопка включения автоматической программы колки льда «Ice crush»
14. Кнопка включения автоматической программы приготовления смузи «Smoothie»

ВНИМАНИЕ!

Для дополнительной защиты в цепи питания целесообразно установить устройство защитного отключения (УЗО) с номинальным током срабатывания, не превышающим 30 мА, для установки УЗО обратитесь к специалисту. Перед началом эксплуатации прибора внимательно изучите данную инструкцию, она содержит необходимую информацию для безопасного и верного использования прибора. Сохраните инструкцию на весь период эксплуатации прибора для использования ее в качестве справочного материала.

Четко следуйте всем рекомендациям и условиям, прописанным в данной инструкции. Их несоблюдение может повлечь поломку прибора, лишение Вас возможности получения бесплатного гарантийного обслуживания.

МЕРЫ БЕЗОПАСНОСТИ

Используйте устройство только по его прямому назначению, как изложено в данной инструкции. Неправильное обращение с устройством может привести к его поломке, причинению вреда пользователю или его имуществу.

- Прежде чем подключить устройство к электросети, проверьте, соответствует ли напряжение, указанное на устройстве, напряжению электросети в вашем доме.

- Запрещается использовать устройство вне помещений.
- Обязательно отключайте устройство от электросети, если вы его не используете.
- Режущие кромки блока ножей очень острые и могут представлять опасность. Обращайтесь с блоком ножей крайне осторожно при разборке устройства или когда извлекаете переработанные продукты из чаши блендера, а также во время чистки!
- Охлаждайте горячие продукты, температура продуктов не должна превышать 70 °С.
- Запрещается включать устройство без продуктов для переработки.
- **Запрещается использовать прибор для переработки очень твердых и сухих ингредиентов, в противном случае режущие кромки ножей могут затупиться.**
- **Запрещается использовать прибор без жидкости в кувшине, иначе это приведет к перегреву и поломке прибора.**
- **Во избежание перегрева моторного блока не перерабатывайте твердые ингредиенты без наличия жидкости в чаше, соотношение продукта и жидкости составляет 2:3. Количество смеси не должно превышать максимальный уровень, указанный на чаше.**
- В случае непредвиденной остановки вращения ножей отключите устройство от электрической сети, и только после этого можно удалить ингредиенты, заблокировавшие ножи.
- Не перегружайте чашу блендера продуктами и следите за уровнем налитых жидкостей.
- Извлекайте продукты и сливайте жидкости из чаши блендера только после полной остановки ножей.
- Отключая вилку сетевого шнура от электрической розетки, не тяните за сетевой шнур, а держитесь за вилку сетевого шнура рукой.
- Не допускайте, чтобы сетевой шнур свешивался со стола, и следите, чтобы он не касался горячих поверхностей и острых кромок мебели.
- Не беритесь за вилку сетевого шнура мокрыми руками.
- Не оставляйте включенное устройство без присмотра.
- Не пользуйтесь устройством в непосредственной близости от кухонной раковины, не подвергайте устройство воздействию влаги.
- Во избежание удара электрическим током не погружайте сетевой шнур, вилку сетевого шнура и моторный блок в воду или в любые другие жидкости.
- Если устройство упало в воду, немедленно извлеките сетевую вилку из электрической розетки, и только после этого можно достать прибор из воды.

РУССКИЙ

- Не разрешайте детям прикасаться к моторному блоку и к сетевому шнуру во время работы блендера.
- Данное устройство не предназначено для использования детьми.
- Во время работы и в перерывах между рабочими циклами размещать устройство можно только в местах, недоступных для детей.
- Прибор не предназначен для использования лицами (включая детей) с пониженными физическими, сенсорными или умственными способностями или при отсутствии у них жизненного опыта или знаний, если они не находятся под присмотром или не проинструктированы об использовании прибора лицом, ответственным за их безопасность.
- Дети должны находиться под присмотром для недопущения игр с прибором.
- Из соображений безопасности детей не оставляйте полиэтиленовые пакеты, используемые в качестве упаковки, без надзора.

Внимание! Не разрешайте детям играть с полиэтиленовыми пакетами или упаковочной плёнкой. **Опасность удушья!**

- При повреждении шнура питания его замену во избежание опасности должны производить изготовитель, сервисная служба или подобный квалифицированный персонал.
- Запрещается самостоятельно ремонтировать прибор. Не разбирайте прибор самостоятельно, при возникновении любых неисправностей, а также после падения устройства выключите прибор из электрической розетки и обратитесь в любой авторизованный (уполномоченный) сервисный центр по контактному адресу, указанному в гарантийном талоне и на сайте www.rondell.ru.
- Перевозите устройство только в заводской упаковке.
- Храните устройство в местах, недоступных для детей и людей с ограниченными возможностями.

ДАННЫЙ ПРИБОР ПРЕДНАЗНАЧЕН ДЛЯ ИСПОЛЬЗОВАНИЯ ТОЛЬКО В БЫТОВЫХ УСЛОВИЯХ. ЗАПРЕЩАЕТСЯ КОММЕРЧЕСКОЕ ИСПОЛЬЗОВАНИЕ И ИСПОЛЬЗОВАНИЕ ПРИБОРА В ПРОИЗВОДСТВЕННЫХ ЗОНАХ И РАБОЧИХ ПОМЕЩЕНИЯХ.

ПЕРЕД ПЕРВЫМ ВКЛЮЧЕНИЕМ

После транспортировки или хранения устройства при повышенной температуре необходимо выдержать его при комнатной температуре не менее трёх часов.

- Полностью распакуйте устройство и удалите любые рекламные наклейки, мешающие работе устройства.
 - Проверьте целостность устройства, при наличии повреждений не пользуйтесь устройством.
 - Перед включением убедитесь в том, что напряжение электрической сети соответствует рабочему напряжению устройства.
 - Перед первым использованием промойте все съёмные части (1, 2, 3) тёплой водой с мягким моющим средством и тщательно просушите.
 - Моторный блок (10) протрите мягкой, слегка влажной тканью, после чего вытрите насухо.
 - **Запрещается погружать моторный блок (10) в любые жидкости и мыть его водой.**
 - Установите блендер на ровной, устойчивой поверхности.
- ВНИМАНИЕ!** Блендер оснащен автоматическим устройством безопасности, которое предохраняет двигатель от выхода из строя при перегреве во время работы с максимальной нагрузкой. В случае перегрева двигателя защита автоматически отключит блендер. Если это произошло, отключите блендер от электросети и подождите некоторое время, пока двигатель остынет.
- Запрещается снимать чашу блендера (3) и крышку чаши (2) во время работы устройства.

ИСПОЛЬЗОВАНИЕ БЛЕНДЕРА

Блендер используется для измельчения и смешивания разнообразных ингредиентов, приготовления коктейлей, колки льда и приготовления смузи.

- Перед началом измельчения/смешивания рекомендуется очистить кожуру с фруктов и овощей, удалить несъедобные части, такие, как косточки, и порезать перерабатываемые продукты кубиками размером около 2 x 2 x 2 см.
- Установите чашу блендера (3) на моторный блок (10).
- Снимите крышку чаши блендера (2).
- Поместите необходимые ингредиенты в чашу (3). Добавьте сначала жидкость, если планируется переработка твердых продуктов, **в соотношении 2 к 3 (2 части твердого продукта, 3 части жидкости)**.
- Закройте чашу блендера (3) крышкой (2), вставьте в отверстие крышки (2) мерный стаканчик (1) и поверните его по часовой стрелке до упора.
- Ещё раз убедитесь в том, что чаша блендера (3) установлена правильно.
- Вставьте вилку сетевого шнура в электрическую розетку, при этом загорится подсветка кнопок (12, 13, 14).
- Поверните ручку включения/выключения/регуляции скорости (8) по часовой стрелке в положение ON и блендер начнет работать.

- Установите необходимую скорость вращения ножей: «Min» (низкая скорость) – для смешивания жидких продуктов. «Max» (высокая скорость) – для жидких и твёрдых продуктов.

Примечания:

- при первом включении возможно появление постороннего запаха от электромотора – это нормальное явление и не является гарантийным случаем.
- во время работы блендера рекомендуется придерживать руками корпус моторного блока (10), не держите блендер одновременно за ручку чаши блендера (4) и корпус моторного блока (10).
- Во время работы блендера или в перерывах можно добавлять в чашу (3) необходимые ингредиенты. Для этого выньте мерный стаканчик (1), повернув его против часовой стрелки, стаканчик (1) можно использовать в качестве ёмкости для добавления необходимых жидких ингредиентов. После добавления ингредиентов установите стаканчик (1) на место и поверните его по часовой стрелке до упора.
- Завершив работу с устройством, установите ручку включения/выключения/регулировки скорости (8) в положение «OFF» и извлеките вилку сетевого шнура из электрической розетки.
- Снимите чашу блендера (3) с моторного блока (10).
- Снимите с чаши (3) крышку (2), извлеките из чаши (3) переработанные продукты.
- После окончания работы промойте чашу блендера (3).

Внимание! При переработке твёрдых продуктов в обязательном порядке необходимо добавлять в чашу блендера жидкость (воду, отвар, сок), в соотношении 2 к 3 (2 части продукта, 3 части жидкости). При несоблюдении этих условий прибор может выйти из строя!

ВНИМАНИЕ! Время непрерывной работы блендера не должно превышать 3-х минут, а перерыв между двумя включениями должен составлять от 1 до 3 минут.

ЗАЩИТА ОТ ПЕРЕГРЕВА

Система защиты от перегрева отключит питание, если превышена рабочая температура электромотора. Если во время работы, блендер отключился, установите ручку включения/выключения/регулировки скорости (8) в положение «OFF» и выньте вилку сетевого шнура из электрической розетки.

Дайте блендеру остыть в течение 30-40 минут, после чего включите его снова.

В зависимости от температуры воздуха в помещении время остывания электромотора может отличаться от указанного временного интервала.

Если после остывания электромотора, блендер не включается, это может быть связано с другой неисправностью, обратитесь в авторизованный сервисный центр.

АВТОМАТИЧЕСКИЕ ПРОГРАММЫ

Колка льда

- Снимите крышку (2), положите в чашу (3) кусочки льда, закройте крышку (2).
- Вставьте вилку сетевого шнура в электрическую розетку, при этом загорится подсветка кнопок (12, 13, 14).
- Нажмите кнопку (13) «Ice crush», блендер включиться и будет светиться только подсветка кнопки (13) «Ice crush».
- После запрограммированных 30 циклов работы, блендер выключиться, и загорится подсветка всех кнопок (12, 13, 14).

Примечание: - при необходимости выключения автоматической программы колки льда, нажмите кнопку «Pulse».

- По окончании работы, извлеките вилку сетевого шнура из электрической розетки.
- Снимите с чаши (3) крышку (2), извлеките из чаши (3) измельчённый лёд.
- После окончания работы промойте чашу блендера (3).

Приготовление смузи

- Снимите крышку (2), положите в чашу (3) ингредиенты для приготовления смузи, закройте крышку (2).
- Вставьте вилку сетевого шнура в электрическую розетку, при этом загорится подсветка кнопок (12, 13, 14).
- Нажмите кнопку (14) «Smoothie», блендер включиться и будет светиться только подсветка кнопки (14) «Smoothie».
- После запрограммированных 5 циклов работы, блендер выключиться, и загорится подсветка всех кнопок (12, 13, 14).

Примечание: - при необходимости выключения автоматической программы приготовления смузи, нажмите кнопку «Pulse».

- По окончании работы, извлеките вилку сетевого шнура из электрической розетки.
- Снимите с чаши (3) крышку (2), извлеките из чаши (3) приготовленный смузи.
- После окончания работы промойте чашу блендера (3).

Импульсный режим работы

- Используйте импульсный режим работы для кратковременного включения блендера на максимальной скорости вращения ножей.

РУССКИЙ

- Для включения импульсного режима работы, нажмите и удерживайте кнопку (12) «Pulse», при этом будет светиться только подсветка кнопки (12) «Pulse», отпустите кнопку (12) – блендер выключится.

Предварительная промывка чаши (3) и блока ножей (6)

- После переработки продуктов и извлечения их из чаши (3), налейте в чашу (3) воду, закройте чашу (3) крышкой (2), установите чашу (3) на корпус блендера (10).
- Вставьте вилку сетевого шнура в электрическую розетку, при этом загорится подсветка кнопок (12, 13, 14).
- Для предварительной промывки, используйте импульсный режим работ, нажмите и удерживайте кнопку (12) «Pulse», при этом будет светиться только подсветка кнопки (12) «Pulse», через 20-30 секунд отпустите кнопку (12) – блендер выключится.
- Снимите чашу (3), снимите крышку (2), слейте жидкость из чаши (3), далее проведите чистку чаши (3) и блока ножей (6), следуя рекомендациям, приведенным ниже.

ЧИСТКА И УХОД

По окончании работы выключите блендер, установив ручку включения/выключения/регулировки скорости (8) в положение «OFF», и извлеките вилку сетевого шнура из электрической розетки.

- Снимите чашу блендера (3) с моторного блока (10).
- Снимите крышку (2) и извлеките из чаши (3) переработанные продукты.
- Предварительно промойте чашу (3).
- Снимите с чаши (3) держатель блока ножей (7) поворачивая его против часовой стрелки.
- Расположите держатель (7) блока ножей (6) вниз, снимите с держателя (7), блок ножей (6), взявшись за выступы и повернув блок ножей (6) по часовой стрелке.

ВНИМАНИЕ: Режущие крошки блока ножей (6) очень острые и представляют опасность. Обращайтесь с блоком ножей крайне осторожно.

- Промойте чашу (3), держатель блока ножей (7) и уплотнительную прокладку (5) тёплой водой с мягким моющим средством, после чего просушите.
- Блок ножей (6) промывайте только со стороны ножей, запрещается полностью погружать блок ножей (6) в воду или любые другие жидкости.
- Чашу блендера (3) можно промывать в посудомоечной машине при снятом блоке ножей (6).

- Корпус устройства (10) протрите мягкой влажной тканью, после чего вытрите насухо.
- Запрещается для чистки блендера использовать жёсткие губки, абразивные чистящие средства и растворители.
- **Запрещается погружать моторный блок блендера (7) в любые жидкости и помещать его в посудомоечную машину.**
- Установите блок ножей (6) в держатель (7), держась за выступы, поверните блок ножей (6) против часовой стрелки до упора.
- Установите держатель блока ножей (7) на чашу блендера (3) и закрутите его по резьбе, поворачивая по часовой стрелке.

ХРАНЕНИЕ

- Перед тем как убрать устройство на хранение, выполните требования раздела ЧИСТКА И УХОД.
- Храните устройство в чистом и сухом месте, недоступном для детей и людей с ограниченными возможностями.

КОМПЛЕКТ ПОСТАВКИ

Блендер – 1 шт.
Инструкция – 1 шт.
Гарантийный талон – 1 шт.

ТЕХНИЧЕСКИЕ ХАРАКТЕРИСТИКИ

Электропитание: 220-240 В ~ 50-60 Гц
Номинальная потребляемая мощность: 800 Вт
Максимальная мощность: 1500 Вт
Объём чаши: 1,8 л.

УТИЛИЗАЦИЯ



В целях защиты окружающей среды, после окончания срока службы прибора и элементов питания (если входят в комплект), не выбрасывайте их вместе с обычными бытовыми отходами, передайте прибор и элементы питания в специализированные пункты для дальнейшей утилизации.

Отходы, образующиеся при утилизации изделий, подлежат обязательному сбору с последующей утилизацией в установленном порядке.

Для получения дополнительной информации об утилизации данного продукта обратитесь в местный муниципалитет, службу утилизации бытовых отходов или в магазин, где Вы приобрели данный продукт.

Производитель сохраняет за собой право изменять дизайн, конструкцию и технические характеристики, не влияющие на общие принципы работы устройства, без предварительного уведомления, из-за чего между инструкцией и изделием могут наблюдаться незначительные различия. Если пользователь обнаружил такие несоответствия, просим сообщить об этом по электронной почте info@rondell.ru для получения обновленной версии инструкции.

Срок службы устройства – 3 года



Данное изделие соответствует всем требуемым европейским и российским стандартам безопасности и гигиены.

ИЗГОТОВИТЕЛЬ: СТАР ПЛЮС ЛИМИТЕД
(STAR PLUS LIMITED)

**МЕСТОНАХОЖДЕНИЕ И ПОЧТОВЫЙ АДРЕС
ДЛЯ СВЯЗИ:** ЮНИТ БИ ЭНД СИ, 15Й ЭТАЖ, КЭЙСИ
АБЕРДИН ХАУС, №38, ХЁНГ ИП РОУД, ВОНГ ЧУК ХАНГ,
ГОНКОНГ, КНР

**ИМПОРТЕР И УПОЛНОМОЧЕННОЕ
ИЗГОТОВИТЕЛЕМ ЛИЦО:** ООО «ВИТЕК.РУС»

**МЕСТОНАХОЖДЕНИЕ И ПОЧТОВЫЙ АДРЕС
ДЛЯ СВЯЗИ:** РФ, 117452, Г. МОСКВА,
ЧЕРНОМОРСКИЙ БУЛЬВАР, ДОМ 17, КОРП. 1, ЭТАЖ 4,
ОФИС 401, КАБ. 1.

Тел.: +7 (499) 685-48-18, e-mail: info@vitek.ru

Ответственность за несоответствие продукции требованиям технических регламентов Таможенного союза возложена на уполномоченное изготовителем лицо.

www.vitek.ru

ТЕЛЕФОН ДЛЯ СПРАВОК: 8-800-100-18-30

СДЕЛАНО В КНР





ГАРАНТИЙНЫЙ ТАЛОН

условия гарантийного обслуживания

ЕДИНАЯ СПРАВОЧНАЯ СЛУЖБА/CALL CENTER:

+7 (495) 921-01-70

Уважаемые покупатели!

Требуйте от продавца заполнения гарантийного талона, включая отрывные купоны.

English

Dear Customer!

RÖNDELL appreciates your choice and guarantees the high quality of the purchased appliance operation under keeping of service rules.

The guarantee period for all devices is 12 months from the date of purchase. By this guarantee book the manufacturer confirms the good working condition of the device and undertakes the obligation to repair any defects which may arise through the fault of the manufacturer free of charge. Warranty service is available at any authorized service center enlisted on the site www.rondell.ru.

Guarantee service conditions

- The guarantee is valid if the following issuance conditions are observed:
 - correct and precise filling in the original RÖNDELL warranty card with mentioning model name, its serial number, date of sale, with seal of Seller and signature of Seller's representative in the warranty card, seals on each tear-off coupon, Buyer's signature;The manufacturer retains the right to refuse guarantee service in case of failure to submit the above-mentioned documents, or if the information they contain is incomplete, illegible or contradictory.
- The guarantee is valid if the following operating conditions are observed:
 - the device is used in strict accordance with the operating instructions;
 - the safety rules and requirements are observed.
- Warranty does not include periodic maintenance, cleaning, installation, adjustment of device at the owner's home, as well as natural device wear and tear.
- Cases not covered by the guarantee:
 - mechanical impairments;
 - non-observance of operating conditions or faulty action of the owner;
 - incorrect installation or transportation;
 - natural hazards (lightning, fire, flooding etc.), as well as other causes beyond the control of the seller and manufacturer;
 - penetration of external objects, liquids or insects into the device;
 - repair work or structural alterations carried out by unauthorised persons;
 - use of the device for professional purposes (whereby the load exceeds the domestic application level);
 - connection of the device to power supply, telecommunication and cable-based networks incompatible with the State Technical Standards;
 - cleaning of audio heads, different media readout drives
 - breakdown of the accessories of the unit listed below, if their replacement is specified by the construction and does not require disassembly of the unit:
 - the remote control, the accumulator batteries, batteries, external power blocks and charging devices;
 - the consumable products and accessories (packing, cases, belts, bags, grids, blades, flasks, plates, supports, racks, roasting racks, hoses, tubes, brushes, attachments, dust containers, filters, odor absorbers).
 - for battery-operated devices: use of incompatible or discharged batteries, or any impairments caused by discharged or leaky batteries (we recommend to use only high-quality batteries);
 - for battery powered devices – any damages caused by battery charging and recharging rules violation.
 - for shavers: crumpled or ruptured safety mesh;
- This guarantee is provided by the manufacturer in addition to the customer's rights, stipulated by the current legislation, and does not restrict them.
- The manufacturer is not responsible for possible harm, caused directly or indirectly by «RÖNDELL» products to people, pets, consumer's property and/or other third parties in case if it has happened due to violation of rules and operating conditions, installation of the unit; intended and/or careless actions (inactions) of a consumer and/or other third parties, the effect of force majeure circumstances.

Уважаемый покупатель!
RÖNDELL благодарит Вас за Ваш выбор и гарантирует высокое качество работы
приобретенного вами прибора при соблюдении правил его эксплуатации.

Срок гарантии на все приборы – 12 месяцев со дня покупки. Данным гарантийным талоном производитель подтверждает исправность данного прибора и берет на себя обязательство по бесплатному устранению всех неисправностей, возникших по вине производителя. Гарантийный ремонт может быть произведен в любом авторизованном сервис-центре, указанном на сайте www.rondell.ru.

Условия гарантийного обслуживания:

1. Гарантия действует при соблюдении следующих условий оформления:
 - правильное и четкое заполнение оригинального гарантийного талона RÖNDELL с указанием наименования модели, ее серийного номера, даты продажи, при наличии печати фирмы-продавца и подписи представителя фирмы-продавца в гарантийном талоне, печатей на каждом отрывном купоне, подписи покупателя;Производитель оставляет за собой право на отказ в гарантийном обслуживании в случае непредоставления вышеуказанных документов, или если информация в них будет неполной, неразборчивой, противоречивой.
2. Гарантия действует при соблюдении следующих условий эксплуатации:
 - использование прибора в строгом соответствии с инструкцией по эксплуатации;
 - соблюдение правил и требований безопасности.
3. Гарантия не включает в себя периодическое обслуживание, чистку, установку, настройку прибора на дому у владельца, а также естественный износ прибора.
4. Случаи, на которые гарантия не распространяется:
 - механические повреждения;
 - несоблюдение условий эксплуатации или ошибочные действия владельца;
 - неправильная установка, транспортировка;
 - стихийные бедствия (молния, пожар, наводнение и т.п.), а также другие причины, находящиеся вне контроля продавца и изготовителя;
 - попадание внутрь прибора посторонних предметов, жидкостей, насекомых;
 - ремонт или внесение конструктивных изменений неуполномоченными лицами;
 - использование прибора в профессиональных целях (нагрузка превышает уровень бытового применения);
 - подключение прибора к питающим, телекоммуникационным и кабельным сетям, не соответствующим Государственным Техническим Стандартам;
 - чистка аудиоголовок, приводов для считывания информации с носителей различных типов;
 - выход из строя перечисленных ниже принадлежностей изделия, если их замена предусмотрена конструкцией и не связана с разборкой изделия:
 - а) пульты дистанционного управления, аккумуляторные батареи, элементы питания (батарейки), внешние блоки питания и зарядные устройства;
 - б) расходные материалы и аксессуары (упаковка, чехлы, ремни, сумки, сетки, ножи, колбы, тарелки, подставки, решетки, вертелы, шланги, трубки, щетки, насадки, пылесборники, фильтры, поглотители запаха).
 - для приборов, работающих от батареек, – работа с неподходящими или истощенными батарейками;
 - для приборов, работающих от аккумуляторов – любые повреждения, вызванные нарушениями правил зарядки и подзарядки аккумуляторов.
 - для бритв – смятая или порванная сетка.
5. Настоящая гарантия предоставляется изготовителем в дополнение к правам потребителя, установленным действующим законодательством, и ни в коей мере не ограничивает их.
6. Производитель не несет ответственности за возможный вред, прямо или косвенно нанесенный продукцией «RÖNDELL», людям, домашним животным, имуществу потребителя и/или иных третьих лиц в случае, если это произошло в результате несоблюдения правил и условий эксплуатации, установки изделия; умышленных и/или неосторожных действий (бездействий) потребителя и/или иных третьих лиц, действия обстоятельств непреодолимой силы.



Гарантийный талон / Guarantee card

365-

Сведения о покупке / Purchase information

Модель / Model:

Настольный блендер RDE- 1250

Серийный номер № / Serial №:

Дата покупки / Date of purchase:

Сведения о продавце / Seller information

Название и адрес продающей организации / Name and address of selling organization:

Телефон / Telephone number:

М.П.
P.S.

Подтверждаю получение исправного изделия, с условиями гарантии ознакомлен и согласен /
Here by I confirm the receipt of the guarantee terms

Подпись покупателя /
Buyer's signature

ВНИМАНИЕ! Гарантийный талон действителен только при наличии печати продающей организации /
ATTENTION! The guarantee card is valid only if stamped by the selling organization

Röndell
Professionals Recommend

Купон / Coupon №3

365-

Модель / Model:

**Настольный блендер
RDE-1250**

Серийный номер № /
Serial №:

Дата поступления в ремонт /
Repair start date:

Дата выполнения ремонта /
Repair completion date:

Вид ремонта / Type of repair:

М.П.
P.S.

Röndell
Professionals Recommend

Купон / Coupon №2

365-

Модель / Model:

**Настольный блендер
RDE-1250**

Серийный номер № /
Serial №:

Дата поступления в ремонт /
Repair start date:

Дата выполнения ремонта /
Repair completion date:

Вид ремонта / Type of repair:

М.П.
P.S.

Röndell
Professionals Recommend

Купон / Coupon №1

365-

Модель / Model:

**Настольный блендер
RDE-1250**

Серийный номер № /
Serial №:

Дата поступления в ремонт /
Repair start date:

Дата выполнения ремонта /
Repair completion date:

Вид ремонта / Type of repair:

М.П.
P.S.

