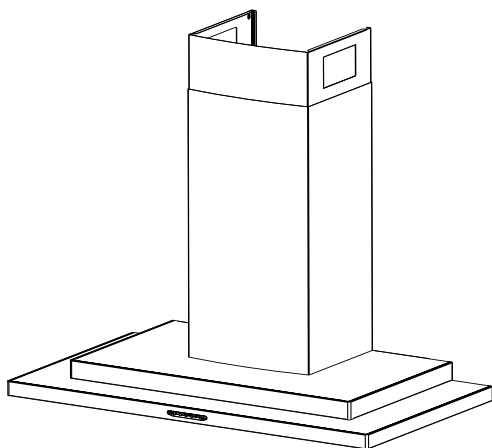


Gebrauchs- und Montageanleitung

- Ⓛ DE Bedienungsanleitung
- Ⓛ GB Instructions Booklet
- Ⓛ F Mode d'emploi
- Ⓛ NL Gebruiksaanwijzing
- Ⓛ I Libretto Istruzioni
- Ⓛ E Manual de Instrucciones
- Ⓛ S Bruksanvisning
- Ⓛ P Manual de Instruções
- Ⓛ GR Εγχειρίδιο οδηγιών



KD 6500

KD 9500

INSTALLATION

This canopy hood is designed to be fixed to any rigid vertical surface, over a gas or electric hotplate and can be used either in the extraction mode (ducted to the outside) or in the recirculation mode (internal recycling).

Safety warnings

- Before commencing the installation, consideration should be given to the difficulties to be found during installation and to the bulky weight of the hood. The installation work must be undertaken by a qualified and competent person in conformity to the rules concerning the evacuation of contaminated air. The manufacturer disclaims all liability for any damage or injury caused as a result of not following the instructions for installation contained in the following text.
- When used in the extraction mode the cooker hood ducting must not be connected to a flue which is used for exhausting fumes from appliances supplied with energy other than electric such as a central heating flue or water heating flue.
- When installed, the hood must be positioned at least 65 cm above a cooking appliance.
- Never do flambé cooking under this cooker hood.
- Never leave frying pans unattended during use as overheated fats and oils may catch fire.
- If the room where the cooker hood is to be used contains a fuel burning appliance such as a central heating boiler then this must be of the room sealed or balanced flue type. If other types of flue or appliance are fitted ensure that there is an adequate supply of air into the room. When the cooker hood is used in conjunction with other appliances supplied with energy other than electric, the negative pressure in the room must not exceed 0,04 mbar to prevent fumes being drawn back into the room by the cooker hood.

Components

The hood comprises the following (fig.1):

- No.1 canopy **C** complete with controls, lighting and ventilator unit
- No.1 telescopic chimney, comprising:
 - No.1 upper chimney element **S**
 - No.1 lower chimney element **I**
- No.2 directional grills **G**
- No.1 recirculation spigot **R**
- No.2 additional side recirculation spigots **P1**
- No.1 bag containing:
 - No.2 brackets **2** to fix the chimney, screws, rawl plugs and documents.
- No.1 splashback **B** (optional)

Installation instructions

For easy installation, proceed as follows:

- Fitting the wall brackets and Splashback
- Fixing the canopy
- Electrical connection and working test
- Ducting or Recirculation fitting
- Fitting the telescopic chimney

.....

Fitting the wall brackets and Splashback

Please refer to (fig.2a-b):

- *Draw* a vertical line on the wall, from the centre of the cooking appliance up to the ceiling, using a marking pen. This is to ensure the correct vertical alignment of the various parts.
- **Fixing the wall brackets item 2:**
 - a) *Place* one of the brackets **2** against the wall approximately 1 or 2 mm from the ceiling or from the top limit, aligning its centre (slot) with the vertical line.
 - b) *Mark* the centres of two keyholes in the bracket on the wall.
 - c) *Rest* the other bracket **2** against the wall, aligning it with the vertical line, at a distance **X** measured as shown in **fig.2** equal to the height of the upper chimney element **S** supplied with the hood. The position **X** may vary, according to the various sizes of upper chimney element available.
 - d) *Mark* the centres of the keyholes in the bracket on the wall.

- **Drilling fixing holes item 1:**

- a) *Mark* a point on the vertical line at a distance from the cooking appliances of:
 - d** =1000 min (distance without splashback).
 - d** =height of splashback + 350 mm (distance with splashback).The distance **H** is the minimum height in mm from the cooking appliances to the bottom edge of the front panel of the hood.
- b) At the point marked, draw a horizontal line parallel to the cooking appliances.
- c) *Drill* two holes in the wall **1** using an 8 mm drill bit (**fig.2a**), and insert the rawl plugs and screws into the holes 1 (4.2 x 44.4 screws). Fix the screws, leaving a space of 5-6 mm required to hook up the canopy. Small adjustments can be made using the hood adjustment screws (see Fitting the canopy). The hood should have a maximum excursion of 20 mm.

- **Splashback (optional)**

When a splashback is to be fitted, the distance between the hood and the cooking appliances will be determined by the height of the splashback **B** and whether or not there is a raised back on the worktop. The splashback is to be installed before installing the canopy. If the splashback is to be fixed to the wall using both the top and bottom fixing holes, care must be taken to ensure that the splashback is fitted at the correct height before fixing the base units or at least the worktop covering them. As this is a complex operation, it should only be undertaken by the technician installing the kitchen units or by a competent person who knows the final dimensions of the units. If the splashback is to be fixed through the top fixing holes only, proceed as follows:

- a) *Rest* the splashback on the worktop and against the wall, as illustrated in **fig.2** .
- b) *Mark* the centres of the two holes in the top surface.
- c) *Drill* the wall using an 8 mm drill bit, and fix the splashback using the rawl plugs and screws provided.
- d) If necessary, the installer should secure the splashback to the wall by tucking the bottom edge down behind the rear of the worktop.

Fixing the canopy

Before starting to fix the canopy it will be necessary to adjust the support brackets **S1** by turning the adjustment screws in a clockwise direction until they reach their limit (**Fig.3**):

- a) Hook the canopy onto the two size 4.2 x 44.4 screws **1** fitted as described above (**Fig.4**).
- b) Level the hood by turning the adjustment screws and then locking them.

.....

Electrical connection and working test

- Before connecting to the mains supply ensure that the mains voltage corresponds with the voltage on the rating plate inside the hood.
- Connect the cooker hood to the mains via a double pole switch which has 3 mm clearance between the contacts.
- The appliance must be earthed.
- Once the electrical connection has been completed, check that worktop illumination, motor and speed work properly.

Ducting or Recirculation fitting

Ducting fitting

- The hood can be ducted to the outside using either rigid or flexible ducting Ø 150 mm, the choice of which is left to the installer (fig.5).
- If the hood is supplied with the activated charcoal filters fitted, the filters should be removed (see paragraph on Maintenance).

Recirculation fitting

- The filtered air is returned to the room through the two plastic side grilles G on the upper chimney element S .
- Connect the pipe T to the round fan outlet, pushing it downwards, and fit spigot R in a similar manner (make sure that the two additional side recirculation spigots P1 are fitted to spigot R). Make sure that the height of the assembly R + T corresponds to the height of the chimney outlet.(fig.6).
- Fit the activated charcoal filters inside the canopy (see paragraph on *Maintenance*). Do not fit the venting grilles until after the chimney has been installed.

Fitting the telescopic chimney

- To fit the upper section S first expand the two side pieces slightly, hook them behind the brackets 2 and close them together again until they touch. Fix the upper section S to the brackets 2 using four of the screws provided in the bag of accessories (fig.7).
- Fit the lower section I as above, between the upper section S and the canopy C.
- Chimney with venting grilles: Snap the venting grilles into position in the apertures located on the chimney section, so that the symbol ▲ is turned upwards and the symbol ► faces forwards. Also, when the hood is used in recirculation mode, ensure that the grilles are properly secured to the inside of the recirculation spigot R (fig.8).

OPERATION

Safety warnings

- Before carrying out any kind of maintenance or cleaning, disconnect the hood from the mains supply.
- The grease filters and the charcoal filter should be cleaned or replaced as recommended by the manufacturer or more frequently if the hood is used consistently over 4 hours per day.
- When using a gas hob in connection with the cooker hood never leave the burners of the hob uncovered while the hood is in use or when the pans have been removed. Switch off the gas before removing the pan, or for just short periods and never leave the hob unattended.
- Always ensure that the flame is kept at the correct intensity to prevent the flame from licking round from the bottom of the pan; this will save energy and will avoid a dangerous concentration of heat.
- Always ensure that the appliance is used in accordance with the manufacturer's instructions for the removal of contaminated air and odours during cooking.

Instruction for Use

Control Panel (fig. 9)

The layout of the control panel is as follows:

Button **T1** = Turns the lighting system on and off

Button **T2** = Turns the motor on and off

Button **T3** = Decreases the working speed

Button **T4** = Increases the working speed

Button **T5** = Intensive speed with timed stoppage. Suitable to deal with maximum vapour emission, this turns off automatically ten minutes after starting operation. It can be disabled by pressing the button **T5**. Press **T5** for approximately 3 seconds to enable the **Power** function (maximum suction power), which is indicated by flashing of the LED over the button. This function will be revert to intensive speed after 5 minutes or when **T5** is pressed again.

MAINTENANCE

Constant maintenance guarantees proper operation and longterm reliability. Particular attention should be paid to the metal grease filters and, for recirculation hoods only, to the activated charcoal filters. The appliance is equipped with a system that indicates automatically when it is time to carry out maintenance operations.

Metal grease filters

- **Cleaning**
These filters must be washed when LED **Filters** starts, or at the most once every 2 months, using a normal household detergent; their compact size also enables them to be washed in a dishwasher.
- **Removing the filters**
Remove one filter at a time, pulling and turning the handle in an anticlockwise direction – see **fig.10**. Replace by repeating the same operations in reverse order, making sure that the handle is turned to face the outside.
- **Enabling the alarm signal**
The hood is already set up to trigger an alarm indicating saturation of the metal grease filters, so this function does not need to be enabled.
- **Resetting the alarm signal**
To turn the alarm signal off, proceed as follows:

-
- Turn off the lights and the suction motor;
 - Press the **T4** button for at least 3 seconds, until the LEDs flash in confirmation. In any case the saturated filters alarm will only come into operation when the suction motor is turned on. **WARNING: always comply with the maintenance and replacement times indicated, in order to avoid a possible risk of fire when the filters are saturated with grease.**

Active carbon filter

• Operation

The activated charcoal filter is only fitted in recirculation type hoods. It will retain odours until it becomes saturated. It cannot be washed or regenerated, and must be replaced when the **Filters** LED starts, or at least once every 4 months of use. Attention: in recirculation type hoods the **T2** Motor LED may start to flash as well as the Speed + **T4** LED. This indicates that as well as replacing the activated charcoal filter, it is also necessary to perform maintenance operations on the metal grease filters.

• Replacing

Remove the grease filters (**fig.10**) and take out the activated charcoal filter from its housing, turning the lugs provided (**fig. 11**). Insert the new activated charcoal filter and replace the metal grease filters.

• Enabling the alarm signal

In recirculation type hoods the saturated filters alarm must be enabled as indicated below:

- Turn off the lights and the suction motor;
- Press and hold the **T4** button for at least 10 seconds, until the LEDs start to flash. Note the number of flashes:
 - 2 flashes of the LED Activated charcoal filter saturation alarm **ENABLED**.
 - 1 flash of the LED Activated charcoal filter saturation alarm **DISABLED**;

• Resetting the alarm signal

To turn the alarm signal off, proceed as follows:

- Press the **T4** button for at least 3 seconds, until the LEDs flash in confirmation. In any case the saturated filters alarm will only come into operation when the suction motor is turned on. **WARNING: always comply with the maintenance and replacement times indicated, in order to avoid a possible risk of fire when the filters are saturated with grease.**

Lighting

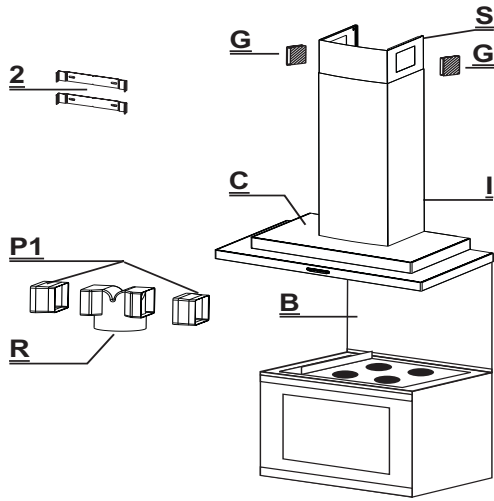
- It consists of 2 20 W-halogen spotlights (**60** cm model) and 3 20 W-halogen spotlights (**90** cm model).
- Replacement (**fig.12**)

Remove the two screws that lock the metal ring, take the spotlight out of its holder by pulling slightly. When replacing, make sure that both pins are well inserted in the holder seat.

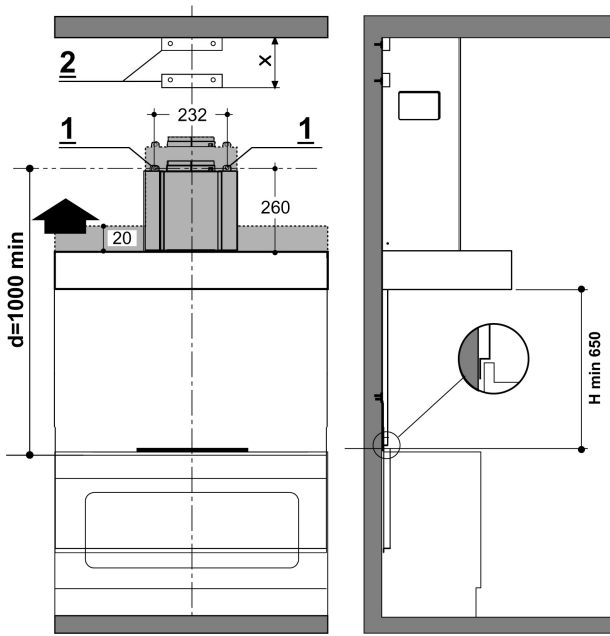
Cleaning

When cleaning the hood:

- Never use a wet cloth or sponge, or running water.
 - Never use thinners or products containing alcohol, as they might damage the paintwork.
 - Never use abrasive cleaning materials, in particular when cleaning stainless steel surfaces.
- It is recommended to use a damp cloth and mild liquid household cleaner.**



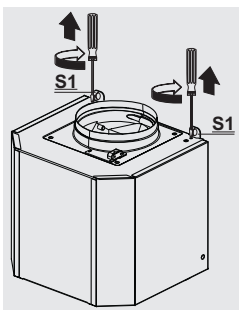
1



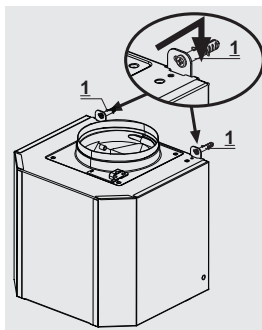
a

b

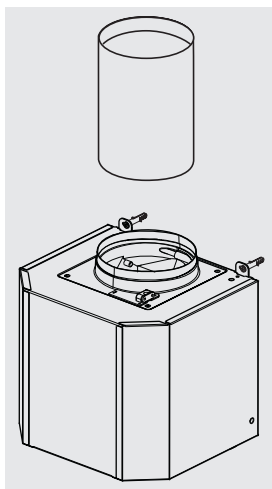
2



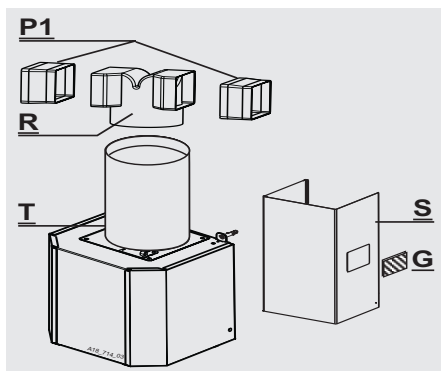
3



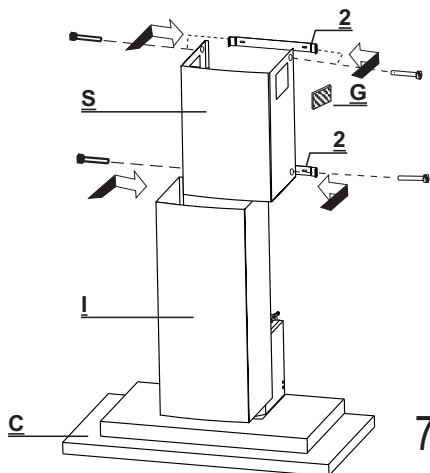
4



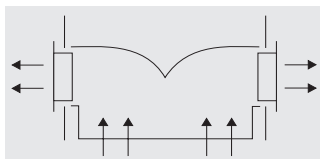
5



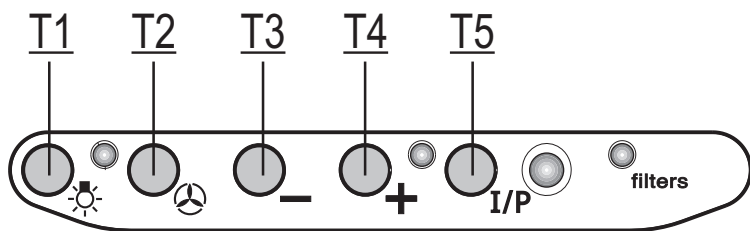
6



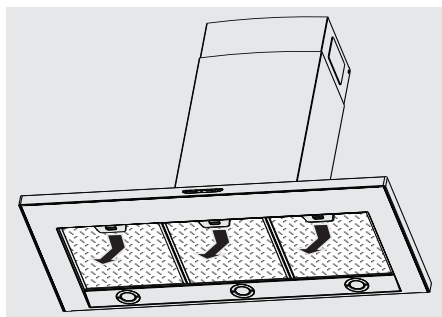
7



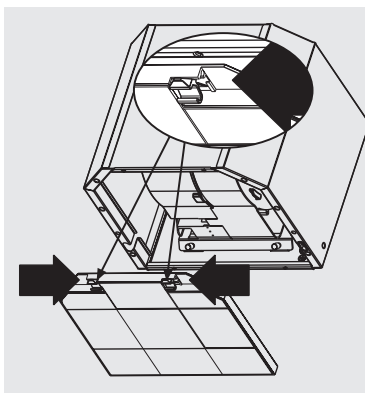
8



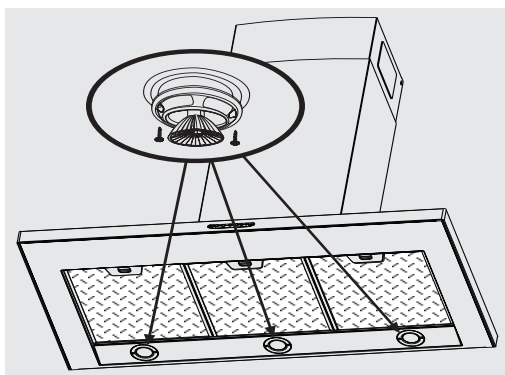
9



10



11



12