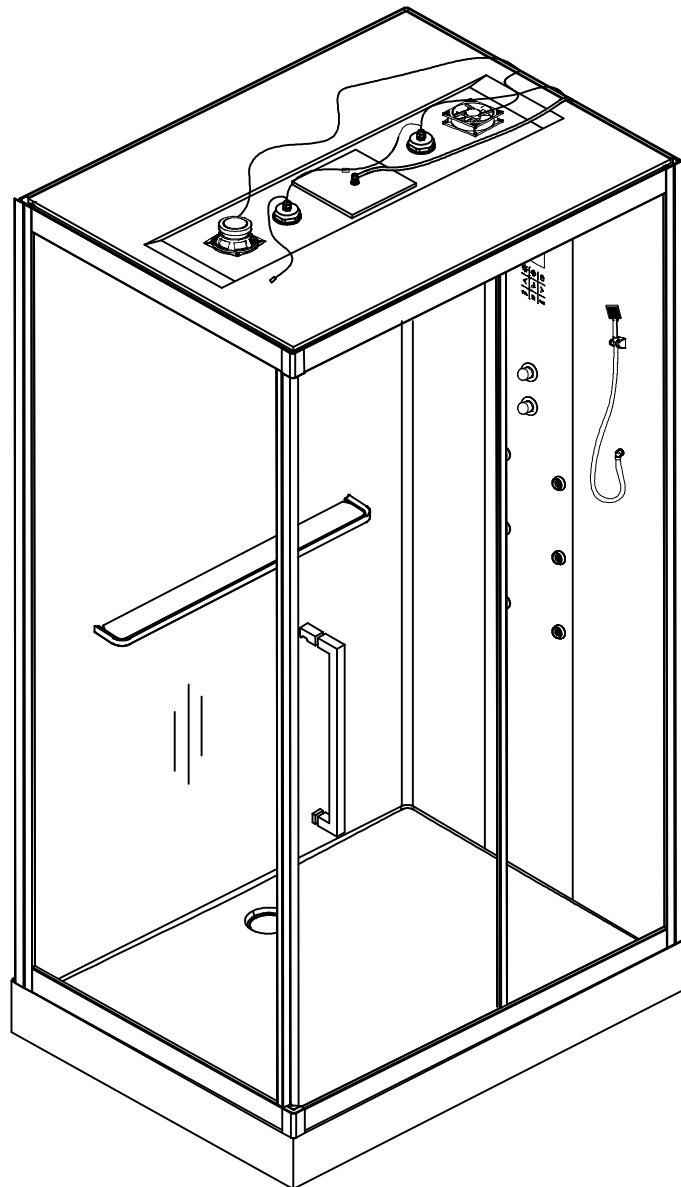
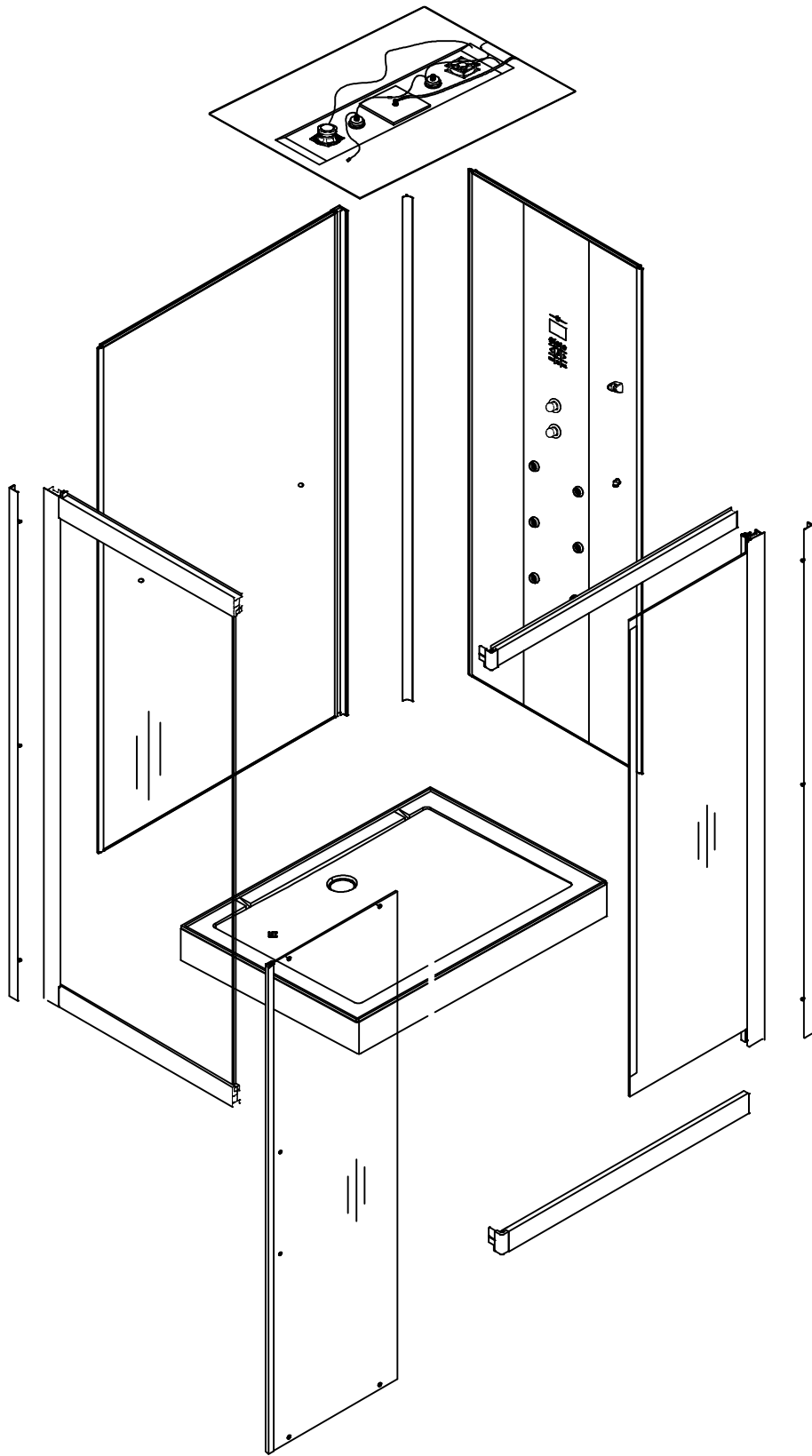
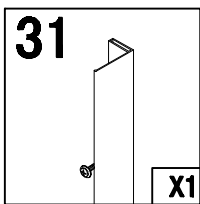
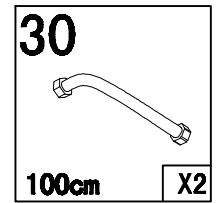
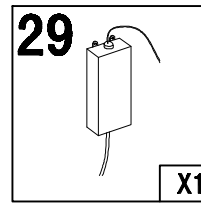
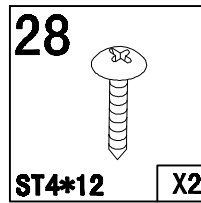
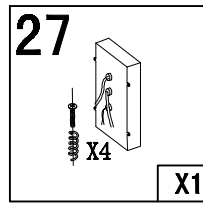
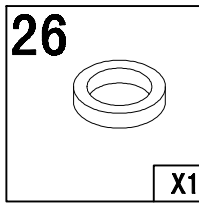
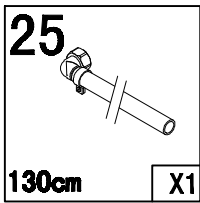
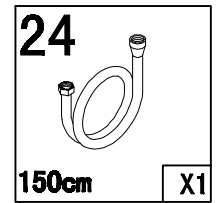
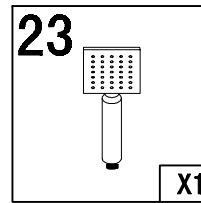
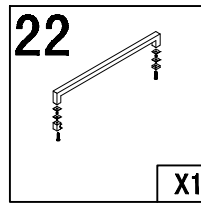
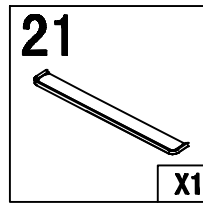
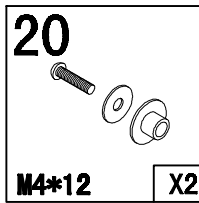
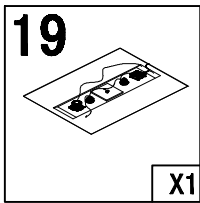
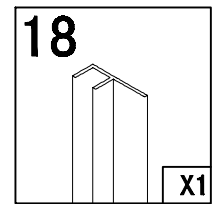
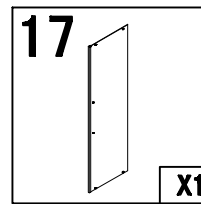
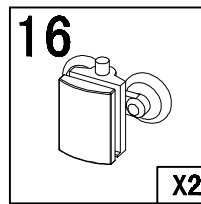
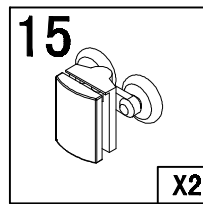
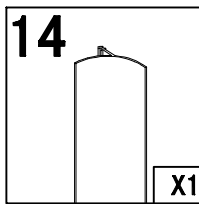
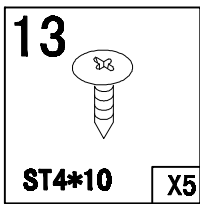
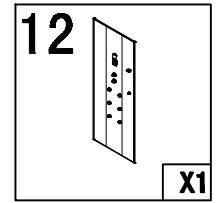
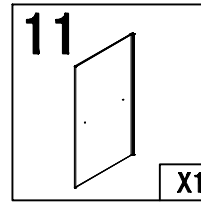
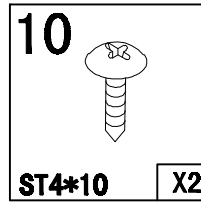
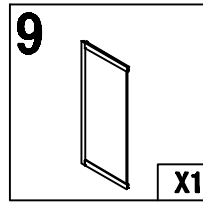
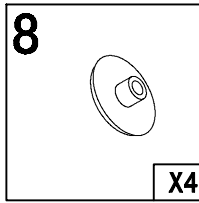
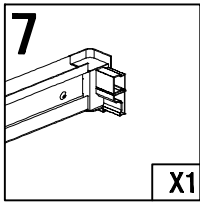
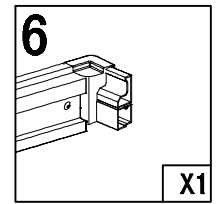
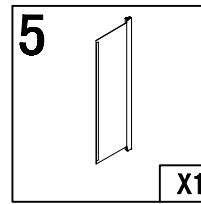
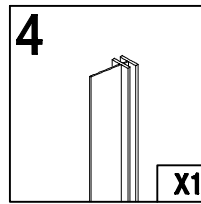
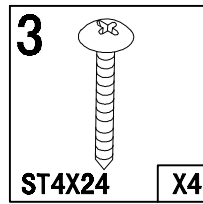
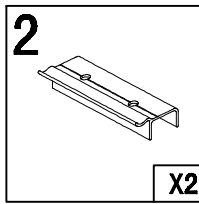
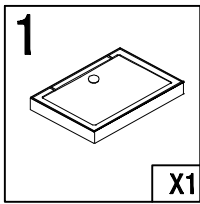
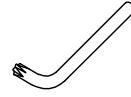
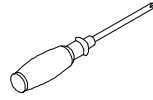
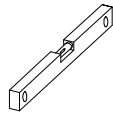


SR-86159

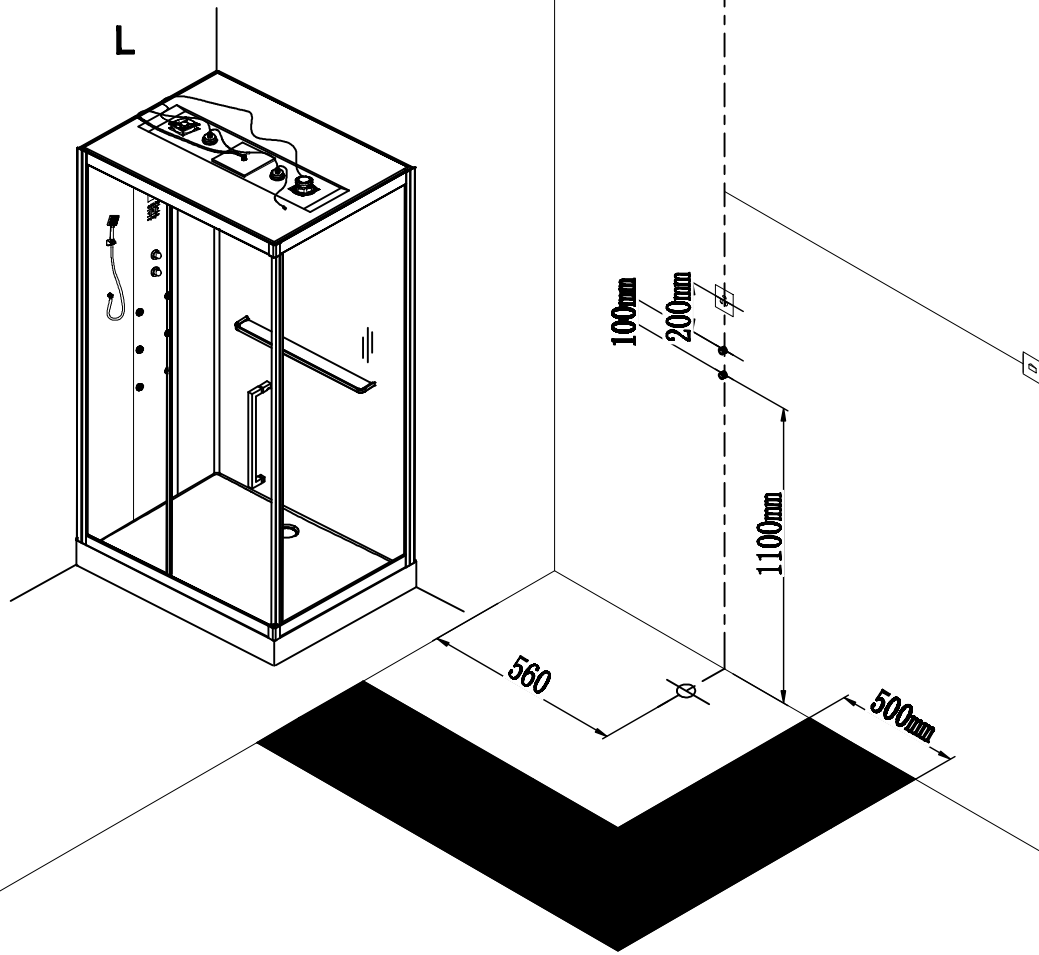




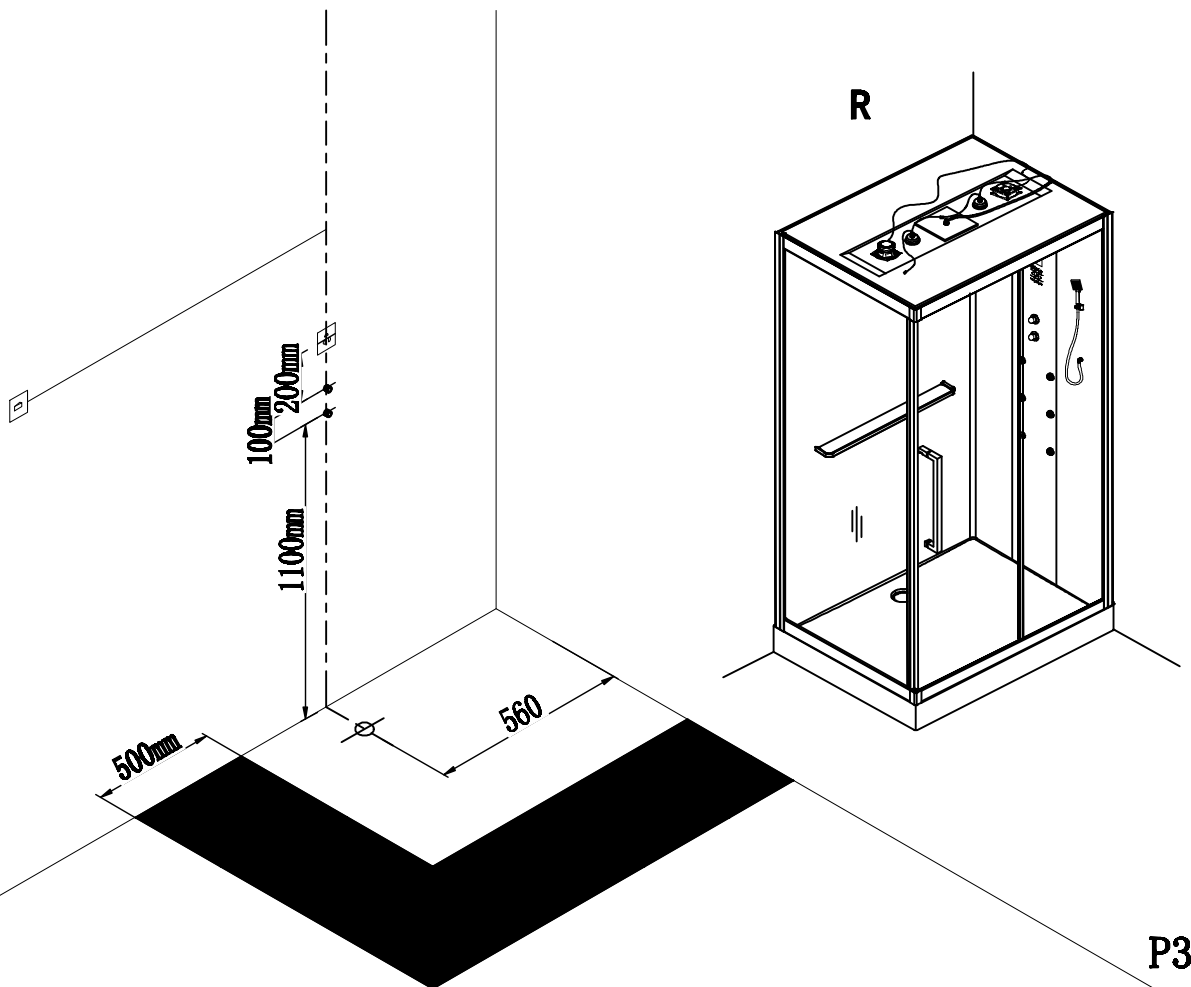
Number — 10
 Size — ST4*10 X2
 accessory
 quantity



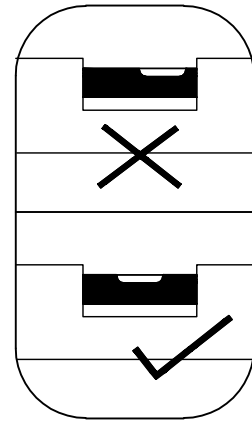
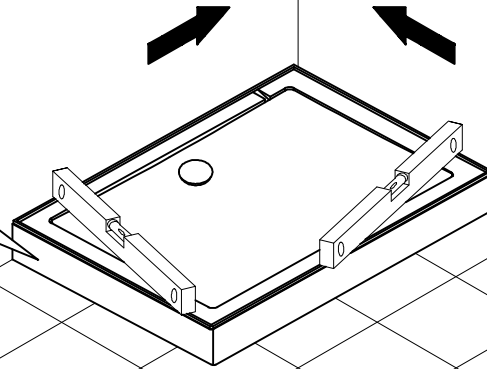
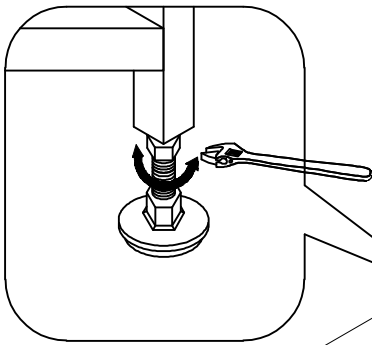
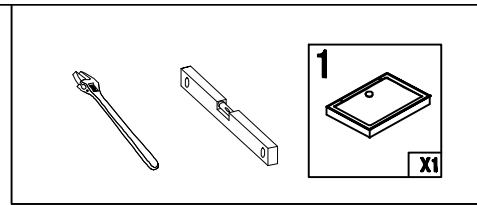
(1)



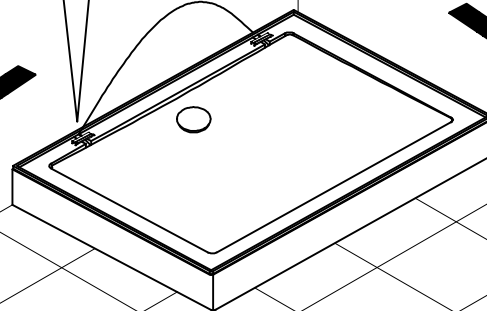
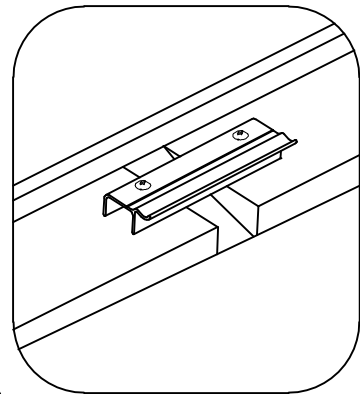
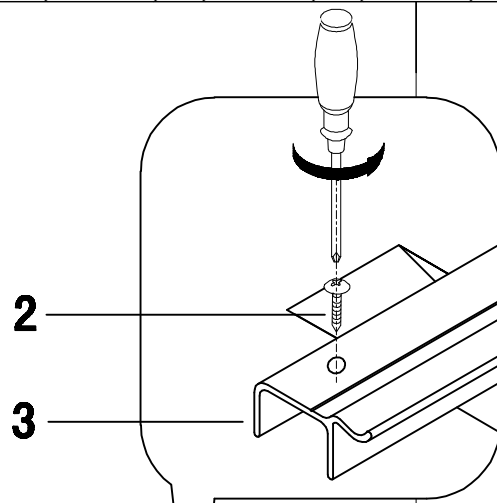
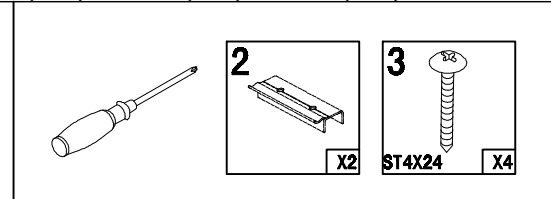
(2)



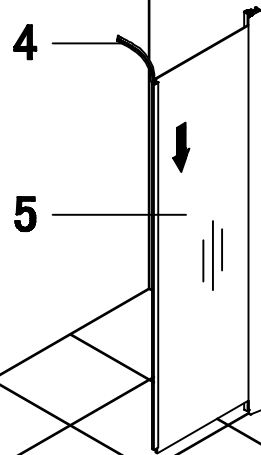
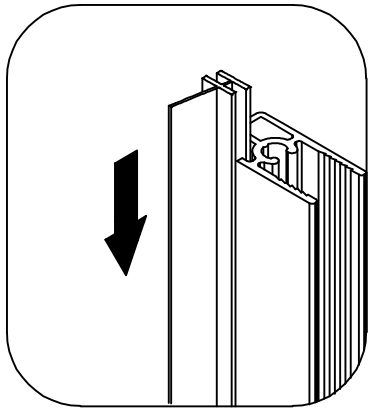
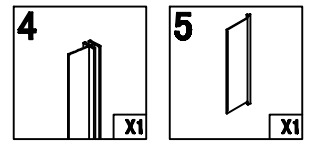
(3)



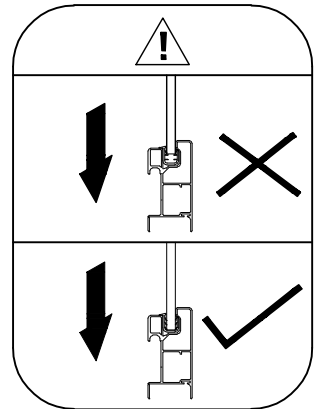
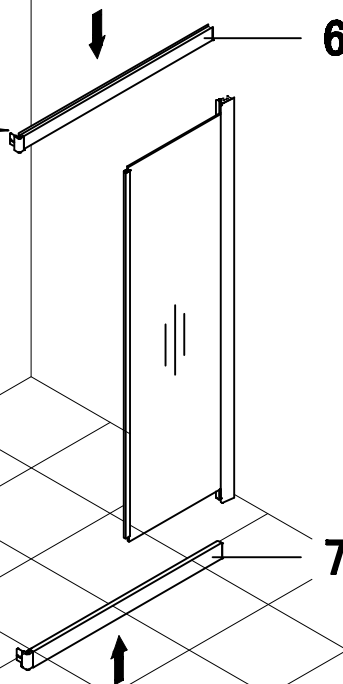
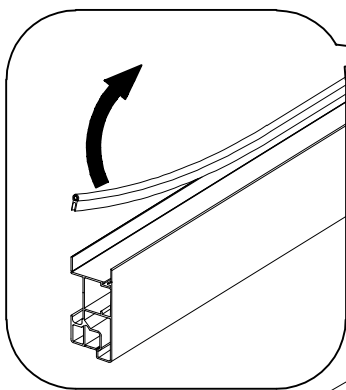
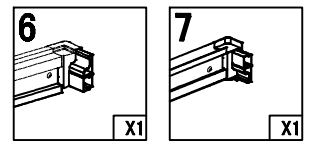
(4)



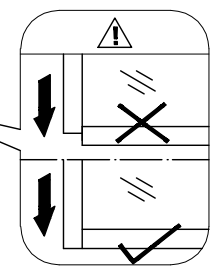
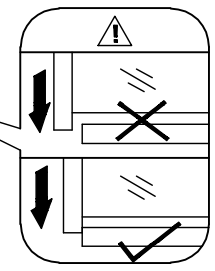
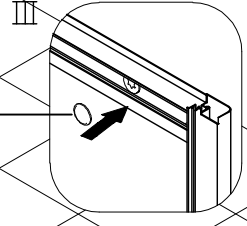
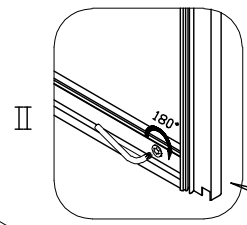
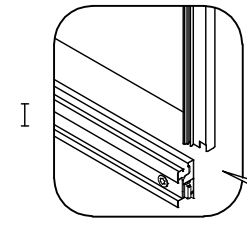
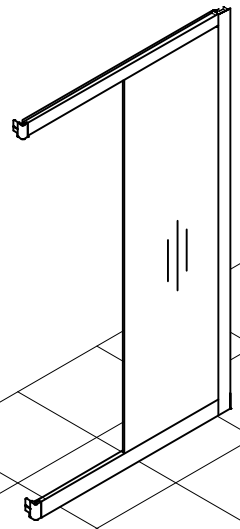
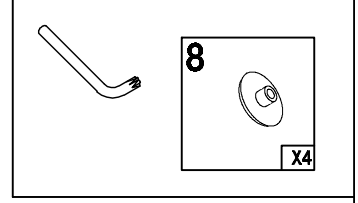
(5)



(6)

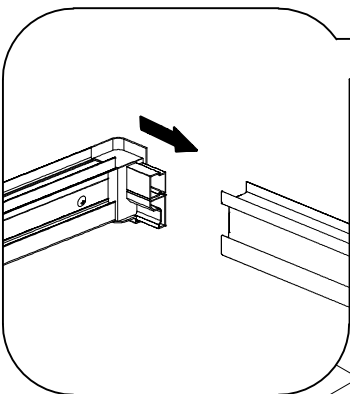
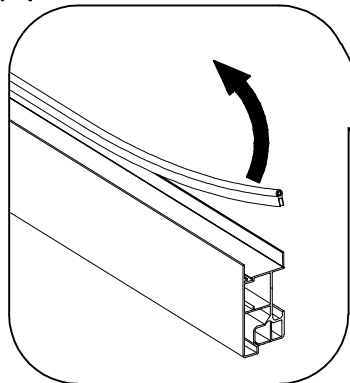
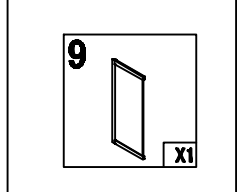


(7)

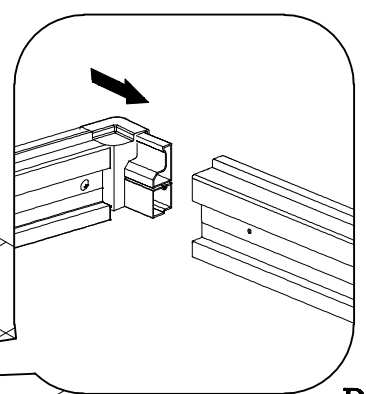
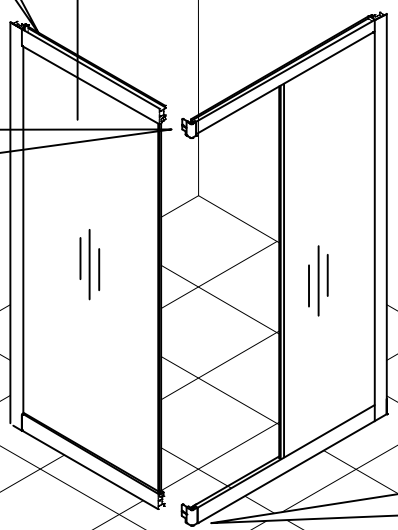


8

(8)



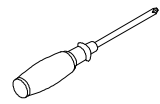
9



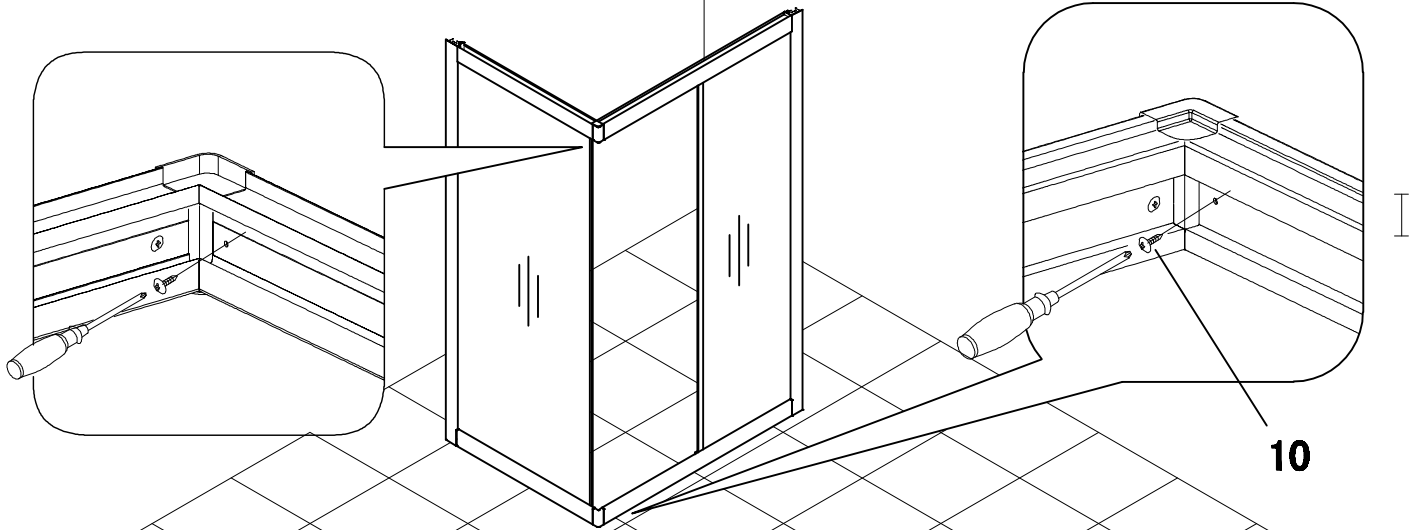
I

P6

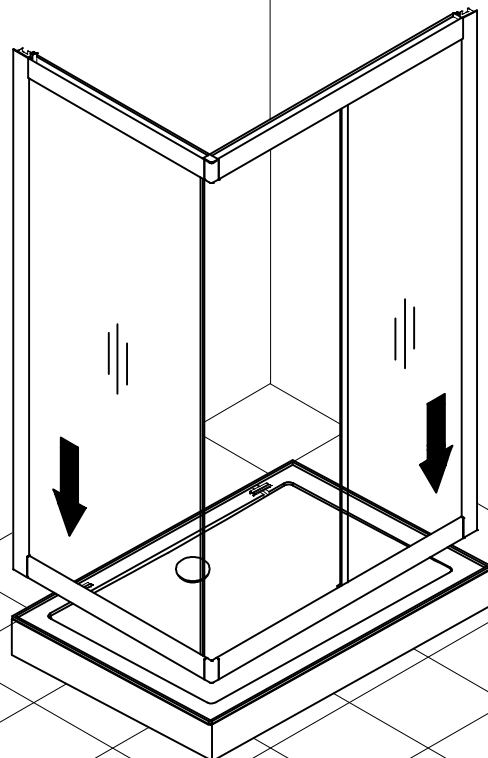
(9)



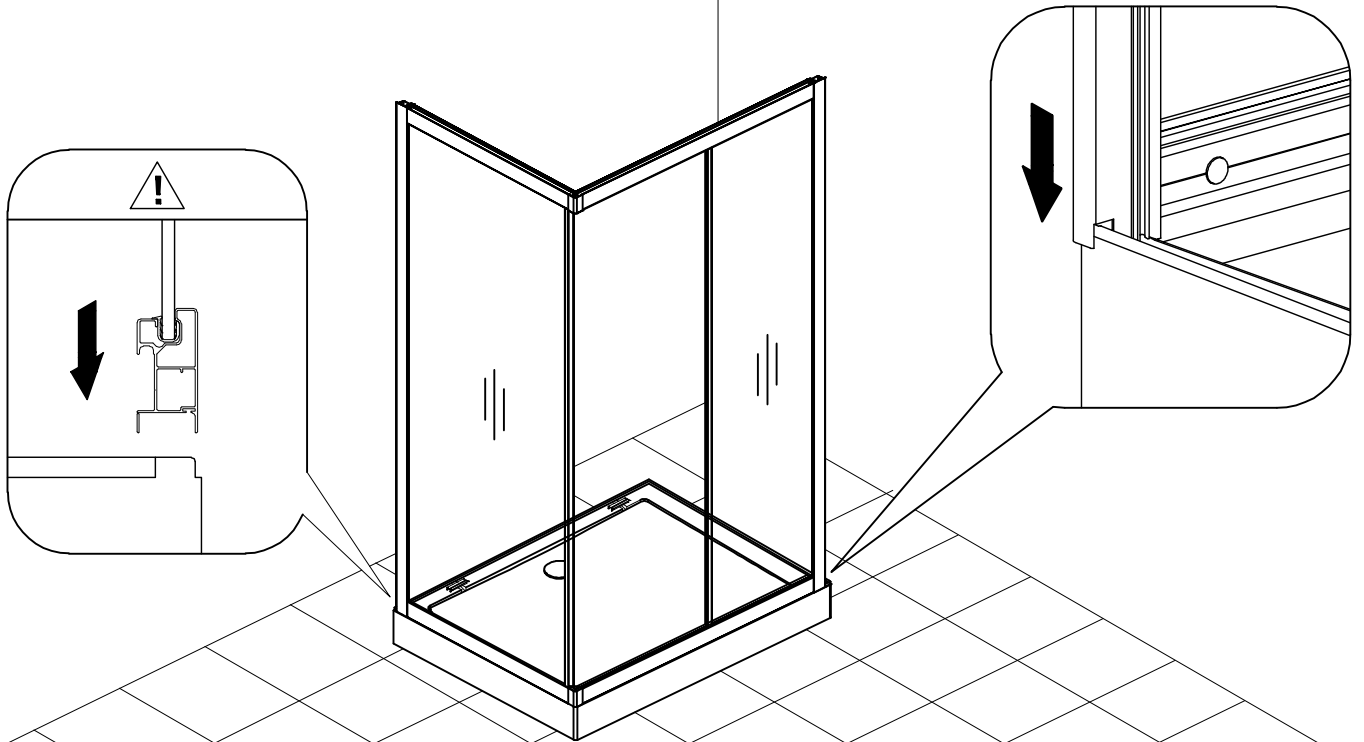
10
ST4*10 X2



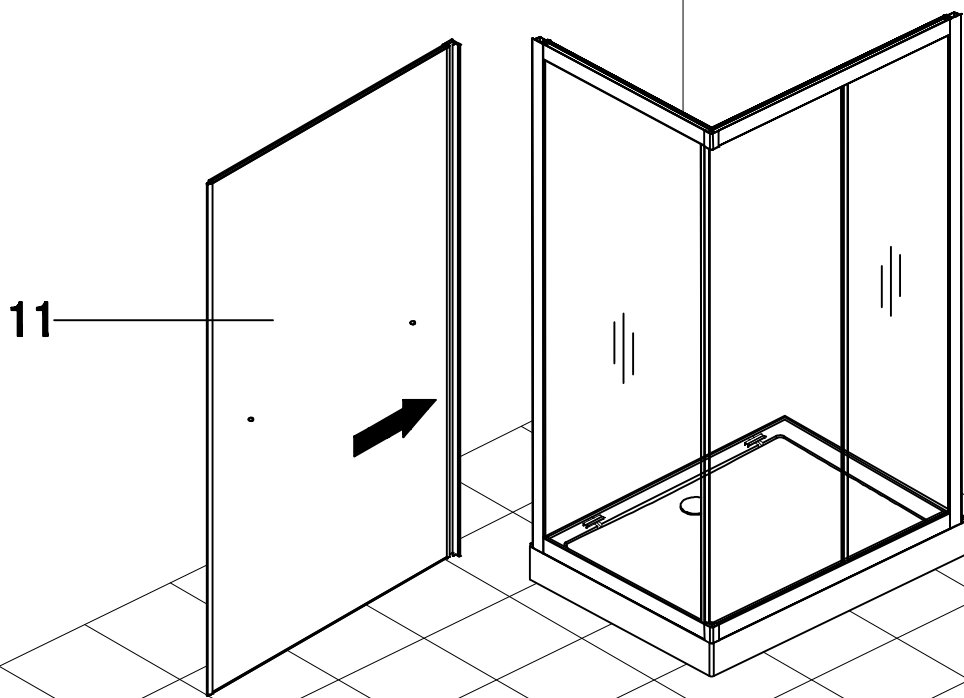
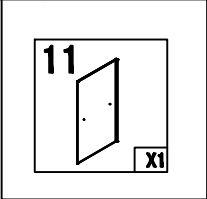
(10)



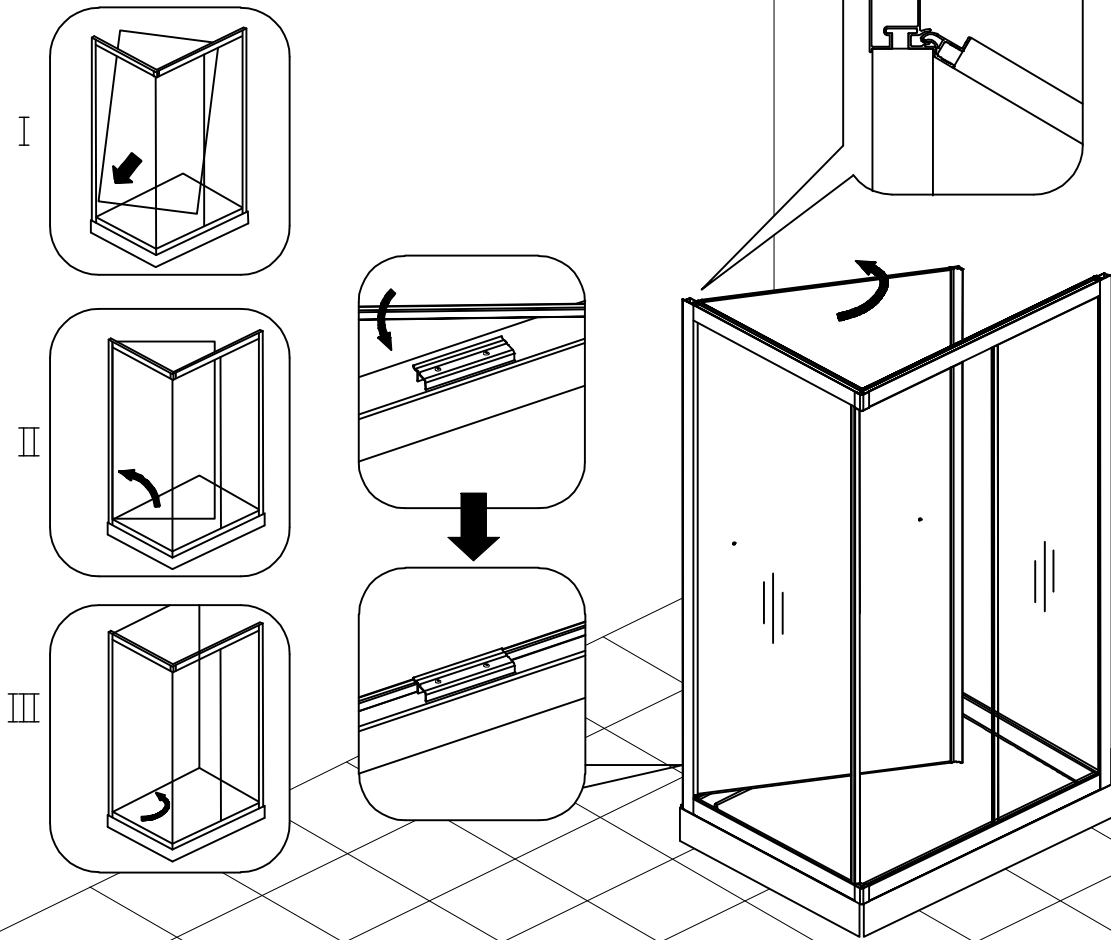
(11)



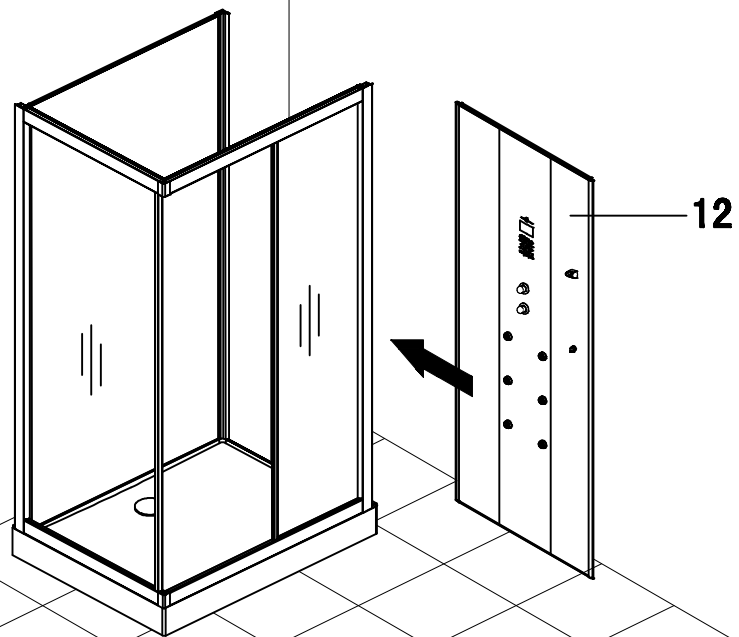
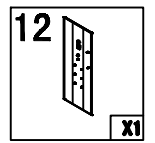
(12)



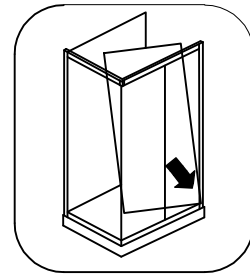
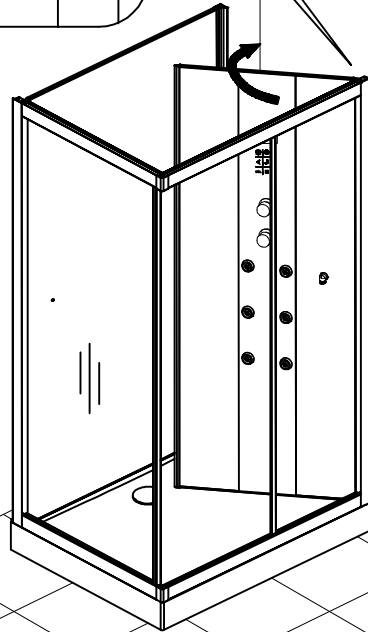
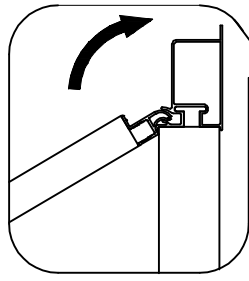
(13)



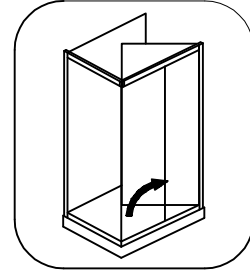
(14)



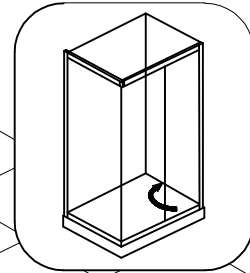
(15)



I

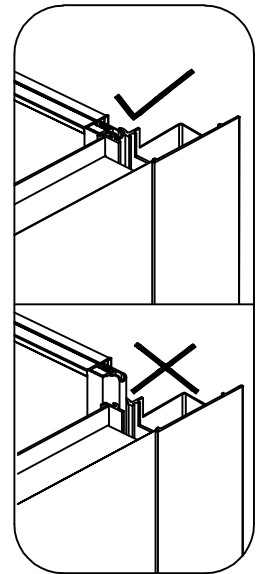
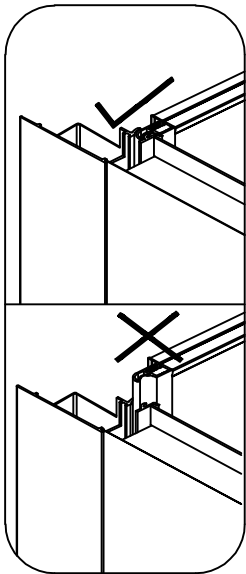


II

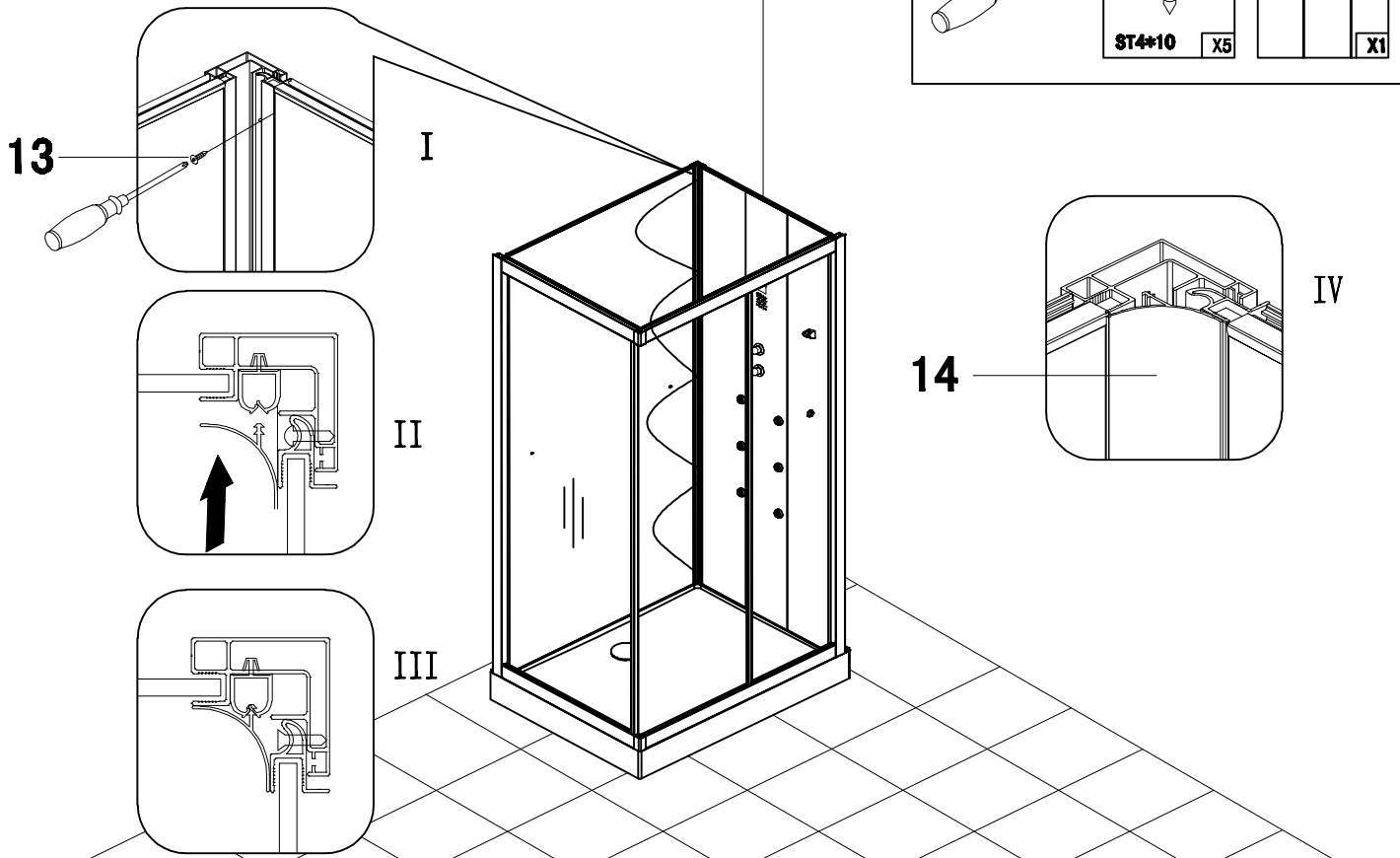


III

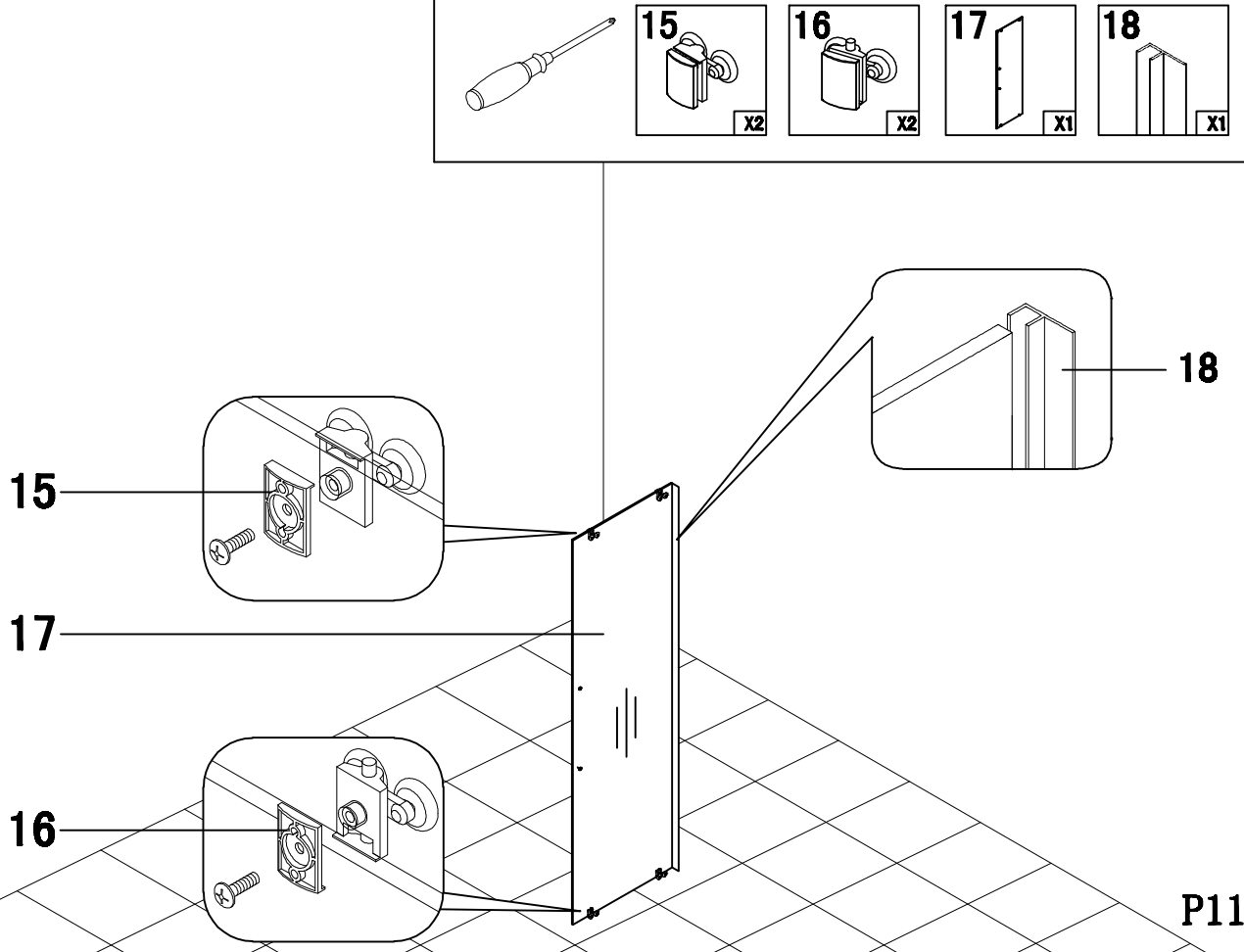
(16)



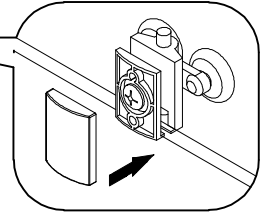
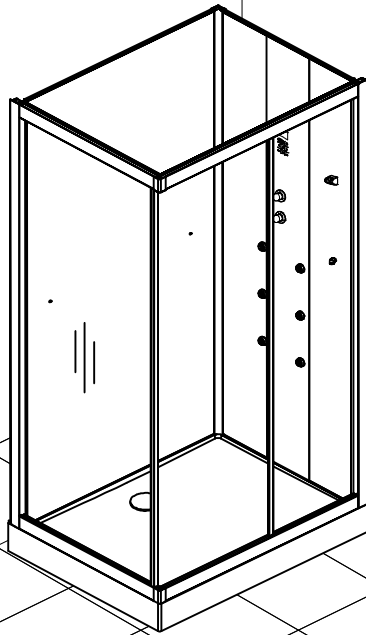
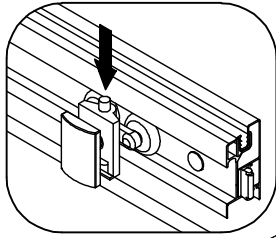
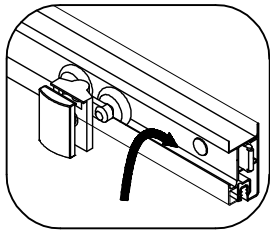
(17)



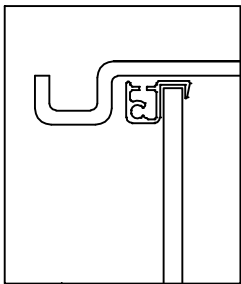
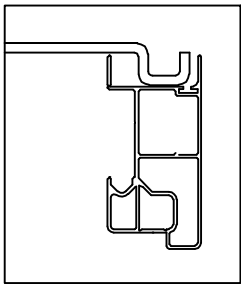
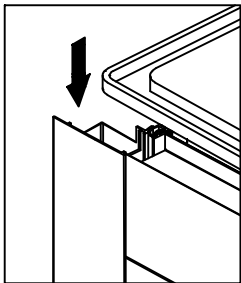
(18)



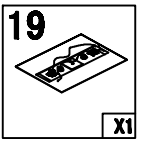
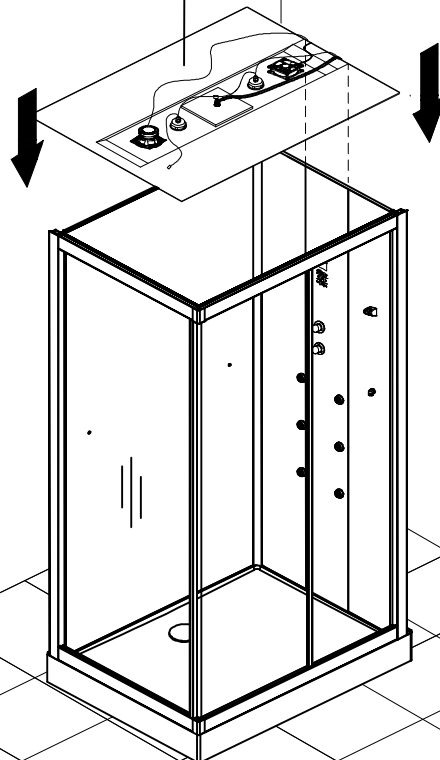
(21)



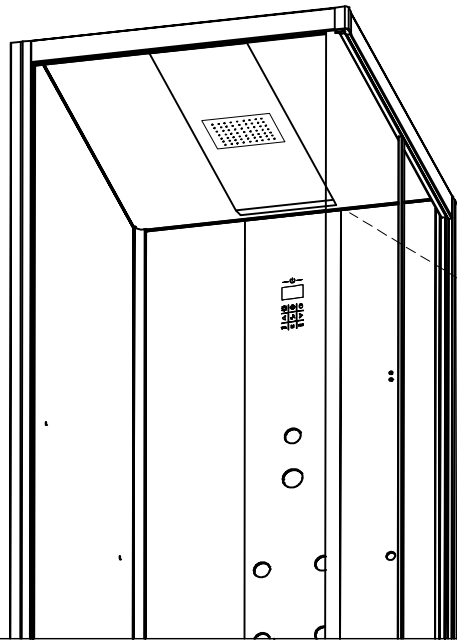
(22)



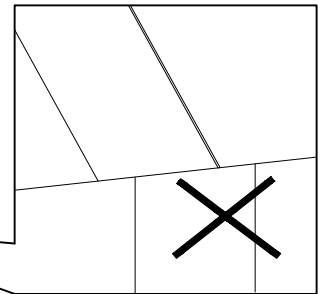
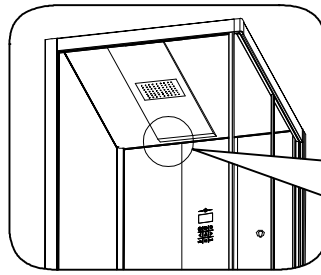
19



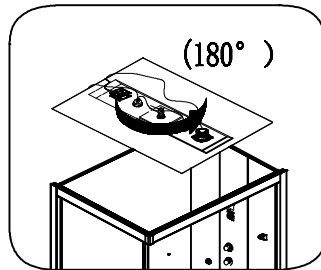
(23)



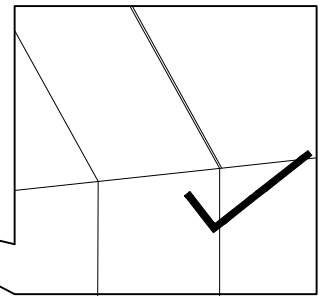
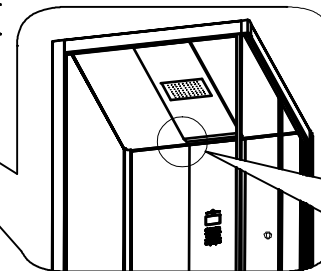
I



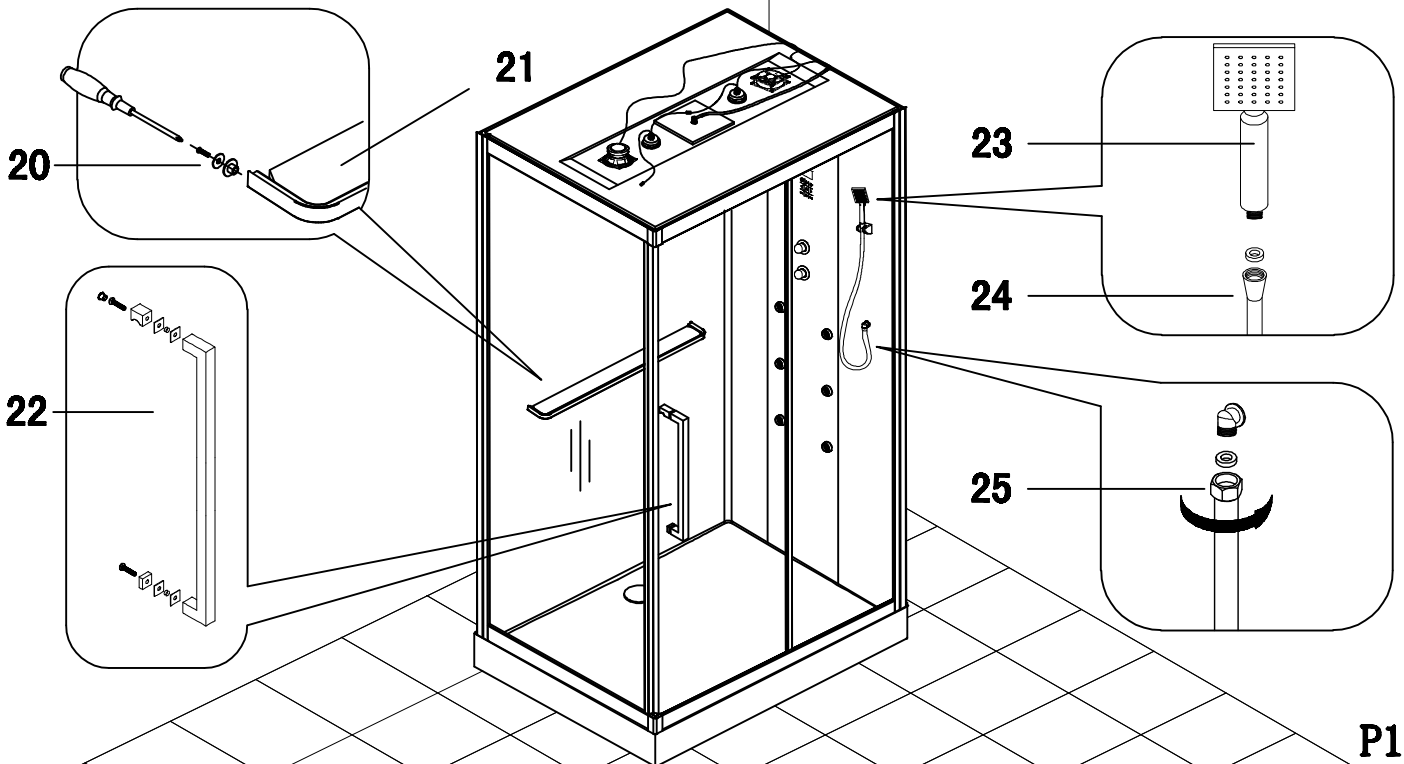
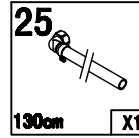
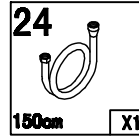
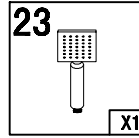
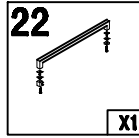
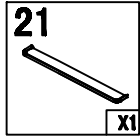
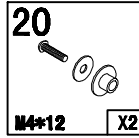
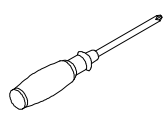
II



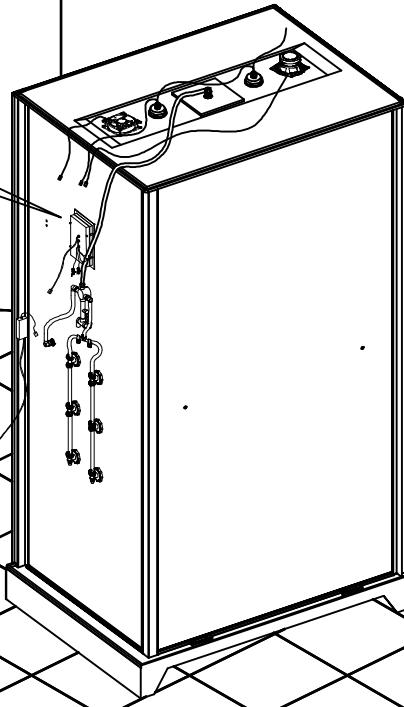
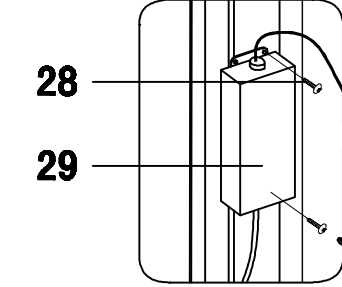
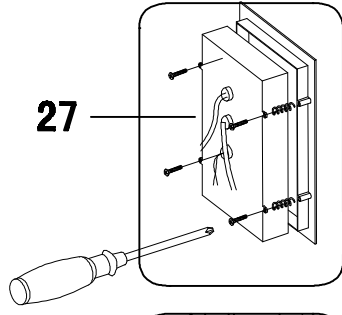
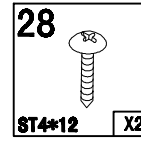
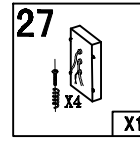
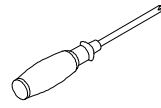
III



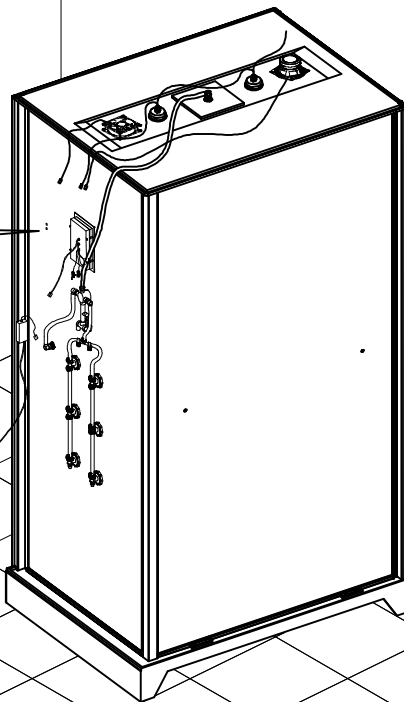
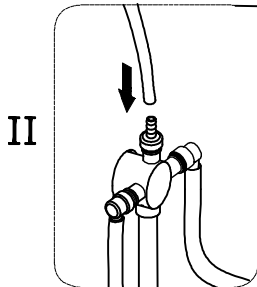
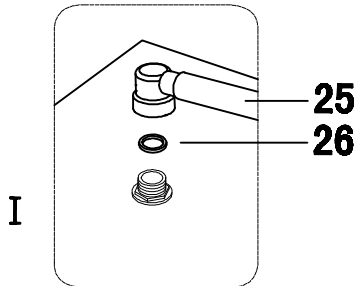
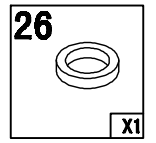
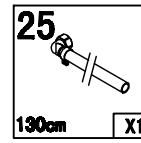
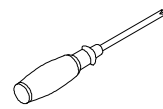
(24)



(26)

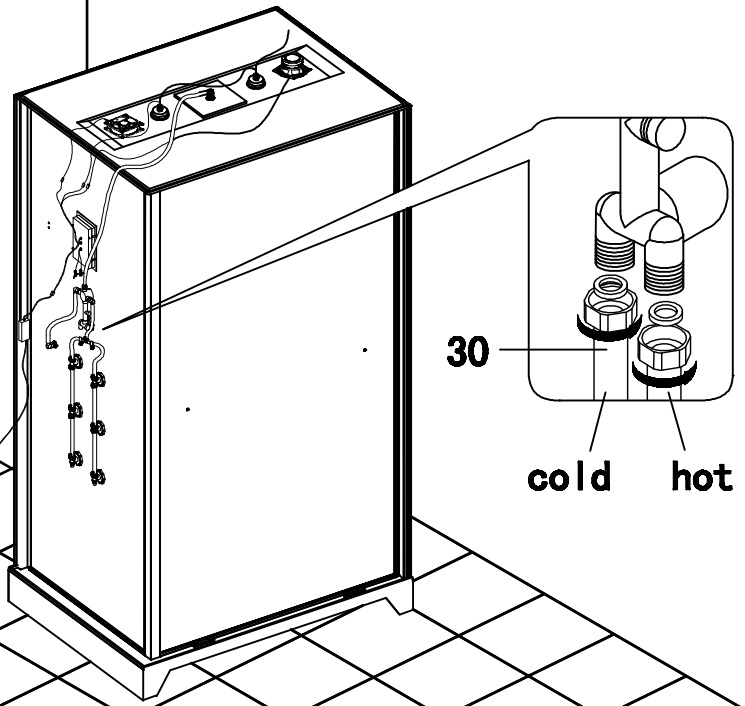
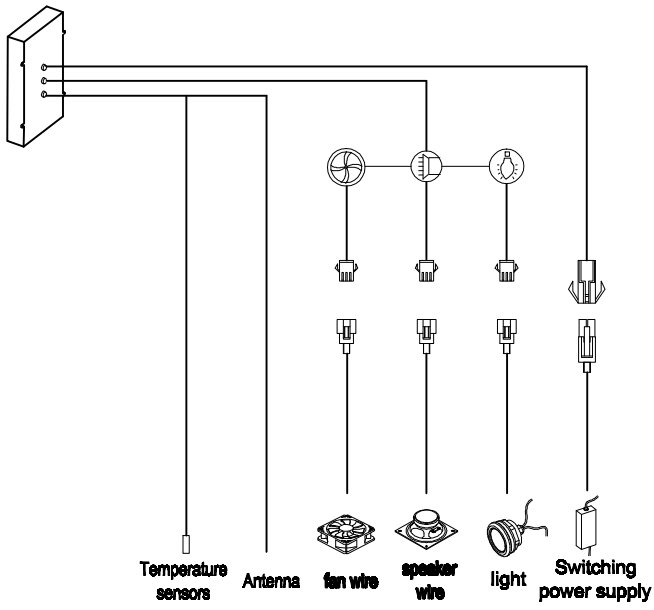


(25)

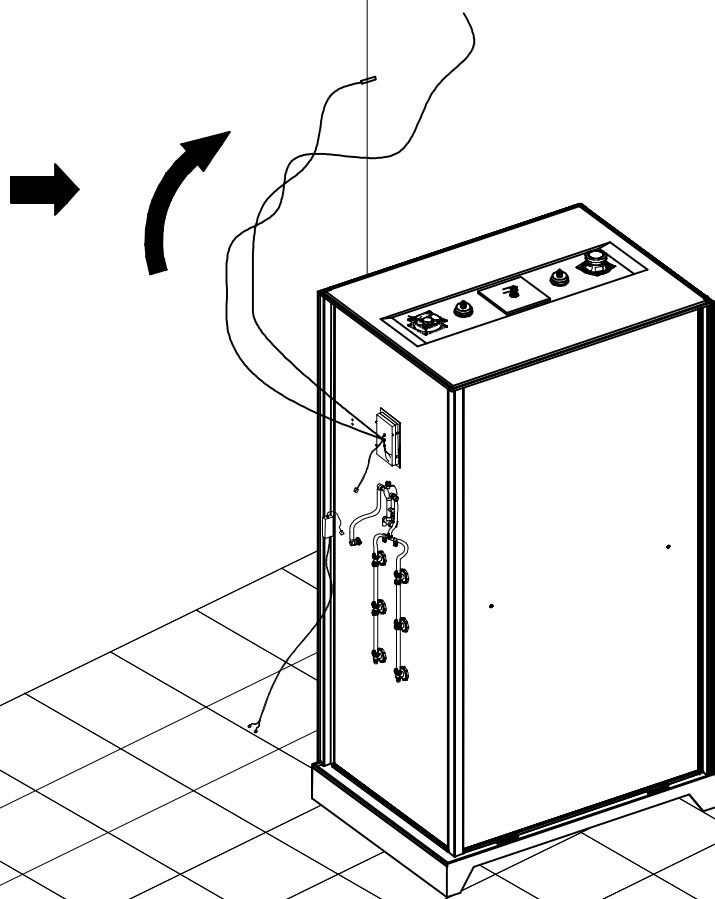
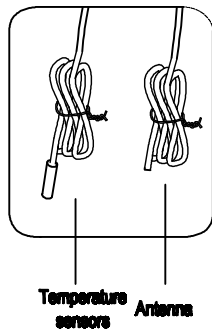


(27)

30
100cm X2

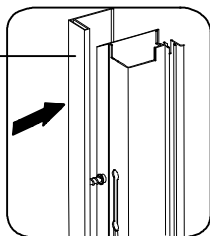


(28)

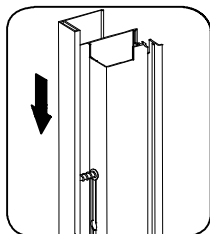


(29)

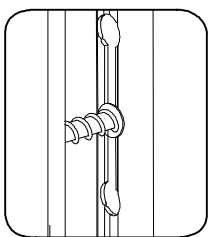
31



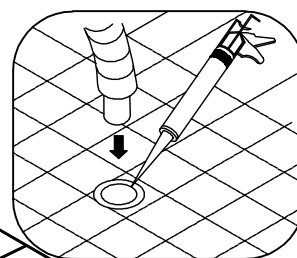
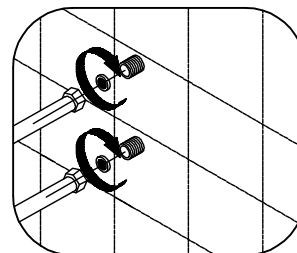
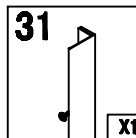
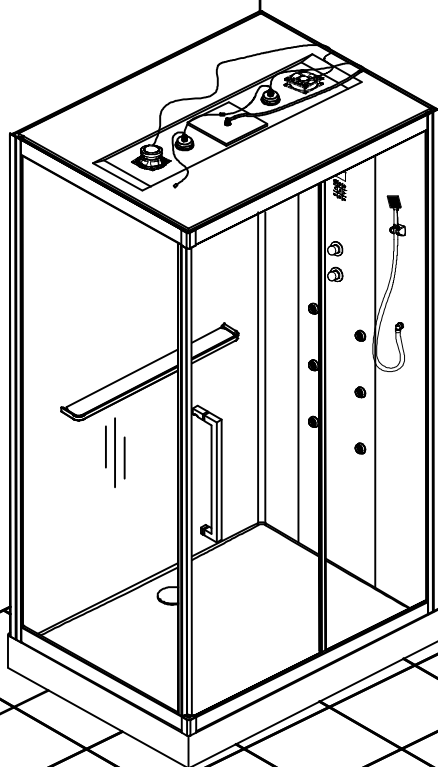
I



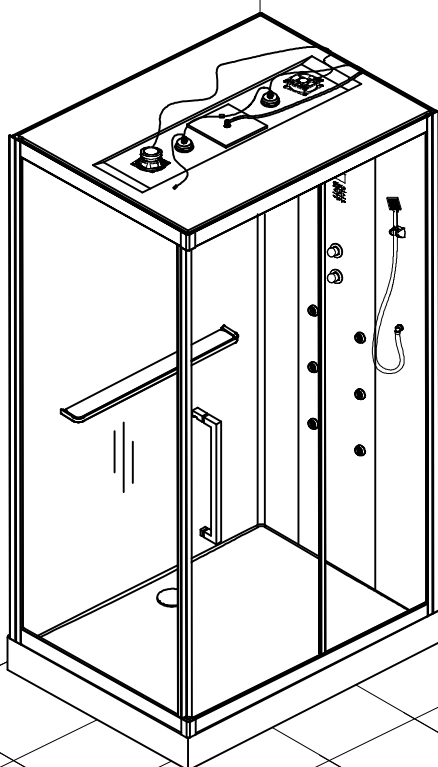
II



III



(30)



Instruction Manual

1. Functions Instruction:

This series of shower control system contains following functions:

1.1 . Display: Current room temperature, volume range, radio frequency and the working condition of fan, light etc.











1.2 . FM digital radio: The frequency range is 87--108MHz; Users can manually or automatically search channels and control the volume.

1.3. Temperature sensors: Detect ambient temperature.

2. Keyboard Diagram:





Keyboard contains 9 buttons, functions are as follows:

-  Power On/off
-  Light
-  Fan
-  Radio
-  Store/Search Channel
-  Volume
-  FM
-  Parameter Decrease
-  Parameter Increase
-  Lock

3. Operation Instruction:



3.1. Power On/Off:

Press  button, the system starts, ceiling light is on, room temperature will be displayed, and system is standby ,other functions being open; Press  button again, the system is off.


3.2. Fan Function:



When system is on, press  button, the fan works, the corresponding sign will flash on the LCD; Press  button again to turn off the fan.



3.3. Light Function:



When start the system, the ceiling light is on; press  button, ceiling light is off. Press  button again, and the corresponding light sign will flash on the LCD.

3.4. FM Digital Radio:

On/Off: When system is on, press  button, if LCD displays the corresponding frequency sign, the radio is open.


Tune: When radio is on, press TUN button to enter into tune setting mode, press  、  to adjust the frequency, LCD will display present frequency (87.5--108MHz) .

Volume Adjustment: When radio is on, press VOL button to enter volume adjustment mode, press  、  to adjust volume, LCD will display present volume (0-10).

Read Channels: when radio is on, without any setting, press  、  to read the stored channels(0-15)

Auto Search & Store channels: long press M on for 2 seconds, system enter into auto search channel mode, the frequency scans from 87.5MHz to 108MHz, and store the received channels on the position 0-15.

3.5. Lock/Unlock Function:

When system is on, the keyboard will be locked automatically if without any operation within 15 seconds, the sign  will flashes in the bottom right corner of LCD, meanwhile, every button lose efficacy. Press any button for 1.5 second, keyboard will be unlocked.

4. Technical Specification:

Working Condition and characteristic				
Rated Voltage	AC220	Rated Frequency	50/60Hz	
Rated Current	<1A	Rated Power	20W(Transformer external)	
Insulance	>20M	Waterproof Level	IPX4	
Load Parameter				
load	Rated Voltage	Rated Frequency	Rated Power	Others
Ceiling light	DC12V		8W	
Fan	DC12V		3W	
Speaker			8W	external
Dimensions				
Keyboard	Length*Width*High 253*163*36.5 Unit: mm			
Control Box	NONE			

Remarks:

1. Without the permission of our technical department, please don't enlarge the load power.
2. This product follows national standard 《Safety of Household and similar electrical appliances 》 GB4706.1-2005
3. The installation of keyboard is attached in the appendix.

5. Malfunction Analysis:

During the operation, any abnormal malfunctions, please ask qualified technician to refer following analysis to remove malfunctions.

Malfunctions Type	Analysis (Solutions)
Can't start the system	<ol style="list-style-type: none">1. No power connection (Connect power supply)2. If there is DC12V output, then control system is broken.(replace)
Light, Fan don't work1.	<ol style="list-style-type: none">1. Check the output voltage of light (DC12V) and fan (DC 12V), if voltages are ok, then light or fan is broken. (Replace)2. If there is no voltage on output of light and fan, then control system is broken.
Too much noise, receive few Channels1.	<ol style="list-style-type: none">1. The Antenna is not in a good position. (Put it on the best position)2. Electric box is broken. (Replace it)