



# Side by Side Refrigerators

**Safety Instructions** .....2-3

**Operating Instructions**

Automatic Icemaker.....12,13

Care and Cleaning .....15,16

Crispers and Pans.....11

ExpressChill™ .....5

Ice and Water Dispenser .....14

Refrigerator Doors .....10

Replacing the Light Bulbs.....16,17

Shelves and Bins .....8, 9

Temperature Controls .....4

TurboCool™ .....5

ClimateKeeper2.....5

Water Filter .....7

**Installation Instructions**

Installing the Refrigerator..... 23-26

Moving the Refrigerator ..... 19-22

Preparing to Install  
the Refrigerator .....18

Water Line Installation ..... 27-29

**Troubleshooting Tips** .....31-33

Normal Operating Sounds.....30

**Consumer Support**

Consumer Support ..... Back Cover

Performance Data Sheet .....34,35

State of California Water  
Treatment Device Certificate.....36

Warranty (U.S.) .....37

Warranty (Canadian) .....38

Product Registration (Canadian) ..... 39

Notes.....40

Write the model and serial numbers here:

Model # \_\_\_\_\_

Serial # \_\_\_\_\_

Find these numbers on a label inside the refrigerator compartment at the top on the right side.

**Owner's Manual  
and Installation**

Models 22, 23, 25,26,27 and 29

Côte à Côte

## Réfrigérateurs

**Manuel d'utilisation  
et d'installation**

La section française commence à la page 40

Lado a Lado

## Refrigeradores

**Manual del propietario  
e instalación**

La sección en español empieza en la página 75

# ***IMPORTANT SAFETY INFORMATION. READ ALL INSTRUCTIONS BEFORE USING.***

---

## **⚠ *WARNING!***

Use this appliance only for its intended purpose as described in this Owner's Manual.

## **SAFETY PRECAUTIONS**

---

When using electrical appliances, basic safety precautions should be followed, including the following:

- This refrigerator must be properly installed and located in accordance with the Installation Instructions before it is used.
- Do not allow children to climb, stand or hang on the shelves in the refrigerator. They could damage the refrigerator and seriously injure themselves.
- Do not touch the cold surfaces in the freezer compartment when hands are damp or wet. Skin may stick to these extremely cold surfaces.
- Do not store or use gasoline or other flammable vapors and liquids in the vicinity of this or any other appliance.
- In refrigerators with automatic icemakers, avoid contact with the moving parts of the ejector mechanism, or with the heating element located on the bottom of the icemaker. Do not place fingers or hands on the automatic icemaking mechanism while the refrigerator is plugged in.
- Keep fingers out of the "pinch point" areas; clearances between the doors and between the doors and cabinet are necessarily small. Be careful closing doors when children are in the area.
- Unplug the refrigerator before cleaning and making repairs.  
*NOTE:* We strongly recommend that any servicing be performed by a qualified individual.
- Do not refreeze frozen foods which have thawed completely.  
*NOTE:* Turning the refrigerator off via the controls on the touch panel does not shut off electrical power to the refrigerator.

## **⚠️ DANGER! RISK OF CHILD ENTRAPMENT**

### PROPER DISPOSAL OF THE REFRIGERATOR

Child entrapment and suffocation are not problems of the past. Junked or abandoned refrigerators are still dangerous...even if they will sit for "just a few days." If you are getting rid of your old refrigerator, please follow the instructions below to help prevent accidents.

#### ***Before You Throw Away Your Old Refrigerator or Freezer:***

- Take off the doors.
- Leave the shelves in place so that children may not easily climb inside.

#### ***Refrigerants***

All refrigeration products contain refrigerants, which under federal law must be removed prior to product disposal. If you are getting rid of an old refrigeration product, check with the company handling the disposal about what to do.

### USE OF EXTENSION CORDS

Because of potential safety hazards under certain conditions, we strongly recommend against the use of an extension cord.

However, if you must use an extension cord, it is absolutely necessary that it be a UL-listed (in the United States) or a CSA-listed (in Canada), 3-wire grounding type appliance extension cord having a grounding type plug and outlet and that the electrical rating of the cord be 15 amperes (minimum) and 120 volts.

## **⚠️ WARNING!**

### HOW TO CONNECT ELECTRICITY

Do not, under any circumstances, cut or remove the third (ground) prong from the power cord. For personal safety, this appliance must be properly grounded.

The power cord of this appliance is equipped with a 3-prong (grounding) plug which mates with a standard 3-prong (grounding) wall outlet to minimize the possibility of electric shock hazard from this appliance.

Have the wall outlet and circuit checked by a qualified electrician to make sure the outlet is properly grounded.

If the outlet is a standard 2-prong outlet, it is your personal responsibility and obligation to have it replaced with a properly grounded 3-prong wall outlet.

The refrigerator should always be plugged into its own individual electrical outlet which has a voltage rating that matches the rating plate.

This provides the best performance and also prevents overloading house wiring circuits which could cause a fire hazard from overheated wires.

Never unplug your refrigerator by pulling on the power cord. Always grip plug firmly and pull straight out from the outlet.

Repair or replace immediately all power cords that have become frayed or otherwise damaged. Do not use a cord that shows cracks or abrasion damage along its length or at either end.

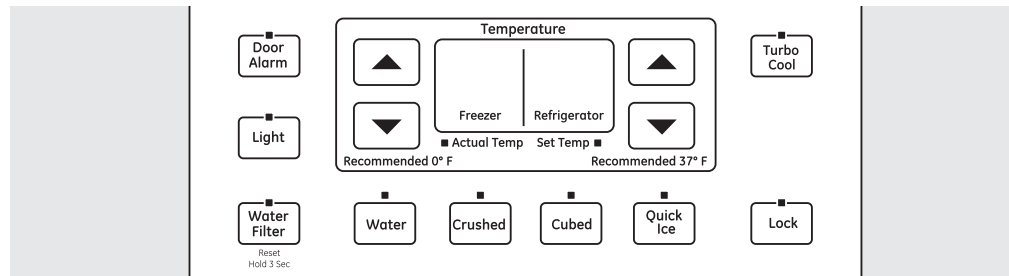
When moving the refrigerator away from the wall, be careful not to roll over or damage the power cord.

### READ AND FOLLOW THIS SAFETY INFORMATION CAREFULLY.

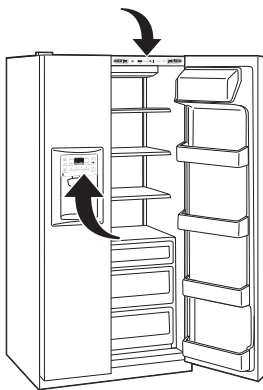
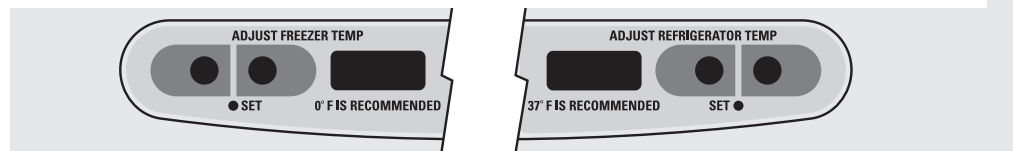
### ***SAVE THESE INSTRUCTIONS***

## About the temperature controls.

Not all features are on all models. Your controls may be similar to the following:



OR



The temperature controls are preset in the factory at  $37^{\circ}\text{F}$  for the refrigerator compartment and  $0^{\circ}\text{F}$  for the freezer compartment. Allow 24 hours for the temperature to stabilize to the preset recommended settings. The temperature controls can display both the *SET* temperature as well as the actual temperature in the refrigerator and freezer. The actual temperature may vary slightly from the *SET* temperature based on usage and operating environment.

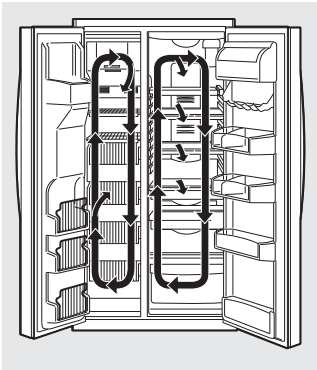
- On some models, setting both controls to the warmest setting until the display flashes (off) will stop cooling in both the freezer and refrigerator compartments.
- On other models, setting either control to the warmest setting until the display flashes (off) will stop the cooling to the freezer and refrigerator.
- **NOTE:** Turning the refrigerator off via the controls on the touch panel does not shut off electrical power to the refrigerator.

**NOTE:** The refrigerator is shipped with protective film- covering the temperature controls. If this film was not removed during installation, remove it now.

## Performance Air Flow System

The Performance Air-Flow System is designed to maximize temperature control in the refrigerator and freezer compartments. This unique special feature consists of the Air Tower along the back wall of the refrigerator and the Air Tunnel on the bottom portion of the freezer rear wall.

Placing food in front of the louvers on these components will not affect performance. Although the Air Tower and the Air Tunnel can be removed, doing so will affect temperature performance. (For removal instructions, on-line, 24 hours a day, contact us at [GEAppliances.com](http://GEAppliances.com) or call 800.GE.CARES. In Canada, contact us at [geappliances.ca](http://geappliances.ca) or call 1.800.561.3344.)



### How it Works

The *ClimateKeeper2™* is the industry's most advanced refrigeration system, delivering optimum temperature and humidity performance to keep food garden fresh longer and reduce freezer burn.

The *ClimateKeeper2™* system features two evaporators—one for the refrigerator and one for the freezer.

This provides two separate cooling systems, and separates the airflow between the fresh food and freezer compartments during normal cooling operations.\*

This ensures that the humidity levels in the fresh food compartment are significantly higher than in a conventional system,\*\* allowing fresh produce and other unsealed foods to retain their moisture content and freshness longer. Moisture sensitive foods such as fresh fruit, salads, rice, etc., can now be stored on open shelves without excessive moisture loss.

Due to the higher humidity in the refrigerator, you may on occasion experience fog or small amounts of moisture in the refrigerator compartment. This is normal and may come and go as different food loads and environmental conditions change. Wipe dry with a paper towel if desired.

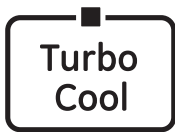
The separate airflow system minimizes the mixing of air between the two compartments, which reduces fresh food odor transfer to improve the taste of ice.

The *ClimateKeeper2™* system also reduces the number of defrosting cycles in the freezer evaporator, thereby reducing freezer burn.

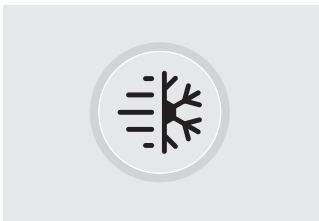
*\*Freezer air is used in the CustomCool™ feature.*

*\*\*Testing shows a higher level of humidity in the Fresh Food section in ClimateKeeper2™ refrigerators versus conventional units.*

# About TurboCool™ (on some models)



OR



### How it Works

*TurboCool™* rapidly cools the refrigerator compartment in order to more quickly cool foods. Use *TurboCool™* when adding a large amount of food to the refrigerator compartment, putting away foods after they have been sitting out at room temperature or when putting away warm leftovers. It can also be used if the refrigerator has been without power for an extended period.

Once activated, the compressor will turn on immediately and the fans will cycle on and off at high speed as needed for eight hours. The compressor will continue to run until the refrigerator compartment cools to approximately 34°F (1°C), then it will cycle on and off to maintain this setting. After 8 hours, or if *TurboCool™* is pressed again, the refrigerator compartment will return to the original setting.

### How to Use

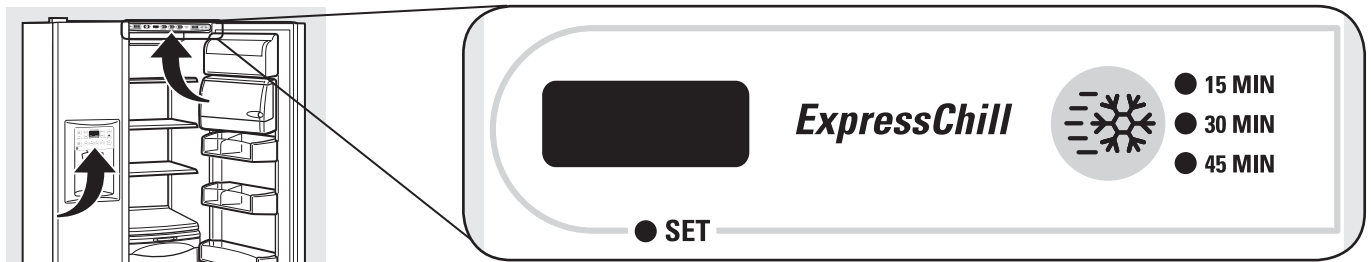
Press *TurboCool™*. The *TurboCool™* temperature display will show *Tc* and the LED will be activated. After *TurboCool™* is complete, the *TurboCool™* indicator light will go out.

**NOTES:** The refrigerator temperature cannot be changed during *TurboCool™*.

The freezer temperature is not affected during *TurboCool™*.

When opening the refrigerator door during *TurboCool™*, the fans will continue to run if they have cycled on.

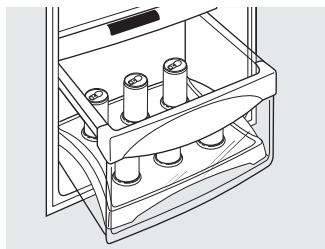
# About ExpressChill™ (on some models)



## How it Works

The *ExpressChill™* feature is a system of dampers, a fan and a temperature thermistor. The pan is tightly sealed to prevent the pan's temperature from causing temperature fluctuations in the rest of the refrigerator.

The controls for this pan are located in the top of the refrigerator or on the dispenser with the temperature controls.



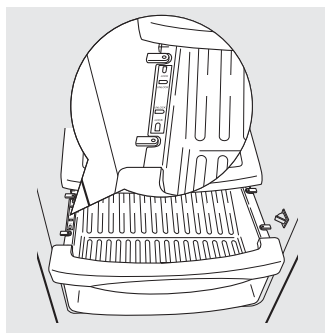
ExpressChill™

## How to Use

- 1 Empty the pan. Place the Chill tray in the pan. Place the items on the tray and close the pan completely.
- 2 Select the *ExpressChill™* pad. On some models, you can then select the chill time (use chart to determine best setting). Other models will only have one option (45 minutes). On models with multiple settings, tap the pad until the light appears next to

the desired setting.

- To stop a feature before it is finished, tap that feature's pad until no options are selected and the display is off.
- During *ExpressChill™*, the display on the controls will count down the time in the cycle.



## How to Remove and Replace the Drawer

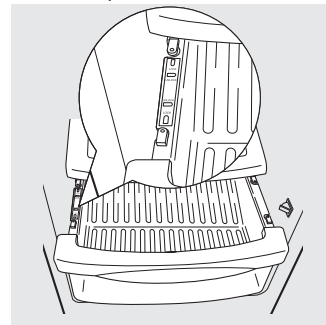
### To remove:

- 1 Pull the drawer out to the stop position.
- 2 Rotate all four swing locks to the unlock position.
- 3 Lift the front of the drawer up and out.

### To replace:

- 1 Make sure all four swing locks are in the unlock position.
- 2 Place the sides of the drawer into the drawer supports, making sure the swing locks fit on the drawer slots.

- 3 Lock all four swing locks by rotating them to the lock position.



## ExpressChill™ Chart (on some models)

**NOTE:** Results may vary depending on packaging, starting temperature and other food traits.

15 Minutes	30 Minutes	45 Minutes
<ul style="list-style-type: none"> <li>■ 1 Beverage Can (12 oz)</li> <li>■ 2 Small Juice Boxes (6-8 oz each)</li> </ul>	<ul style="list-style-type: none"> <li>■ 2 to 6 Beverage Cans (12 oz each)</li> <li>■ 2 Plastic 20 oz Bottles of Beverage</li> <li>■ 4 to 6 Small Juice Boxes (6-8 oz each)</li> <li>■ 3 Foil Juice Packets</li> <li>■ Wine (750 ml bottle)</li> </ul>	<ul style="list-style-type: none"> <li>■ 2 Liters of Beverage</li> <li>■ 1/2 Gallon of Juice</li> <li>■ Gelatin—1 package</li> </ul>

## Water Filter Cartridge

The water filter cartridge is located in the back upper right corner of the refrigerator compartment.

### When to Replace the Filter on Models With a Replacement Indicator Light

There is a replacement indicator light for the water filter cartridge on the dispenser. This light will turn orange to tell you that you need to replace the filter soon.

The filter cartridge should be replaced when the replacement indicator light turns red or if the flow of water to the dispenser or icemaker decreases.

### When to Replace the Filter on Models Without a Replacement Indicator Light

The filter cartridge should be replaced every *six months* or earlier if the flow of water to the water dispenser or icemaker decreases.

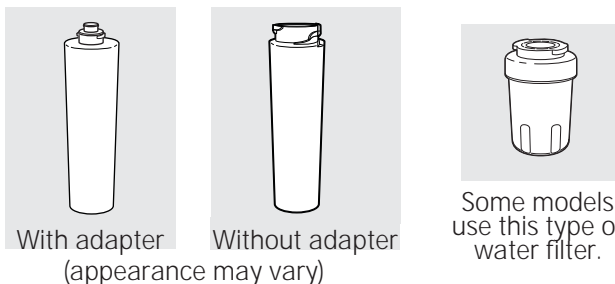
### Removing the Filter Cartridge

If you are replacing the cartridge, first remove the old one by slowly turning it to the left. *Do not* pull down on the cartridge. A small amount of water may drip down.

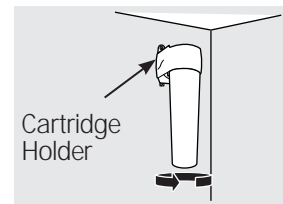
### Installing the Filter Cartridge

- 1 If you are replacing a SmartWater cartridge with an adapter, it must be removed before installing the cartridge. To remove the adapter, turn it to the left about 1/4 turn.

If you are replacing a Water by Culligan cartridge, leave the adapter in place. This adapter will stay in the refrigerator when you replace future cartridges.



- 2 On models without a replacement indicator light, apply the month and year sticker to the new cartridge to remind you to replace the filter in *six months*.
- 3 Fill the replacement cartridge with water from the tap to allow for better flow from the dispenser immediately after installation.
- 4 Line up the arrow on the cartridge and the cartridge holder. Place the top of the new cartridge up inside the holder. *Do not* push it up into the holder.
- 5 Slowly turn it to the right until the filter cartridge stops. **DO NOT OVERTIGHTEN.** As you turn the cartridge, it will automatically raise itself into position. The cartridge will move about 1/2 turn.



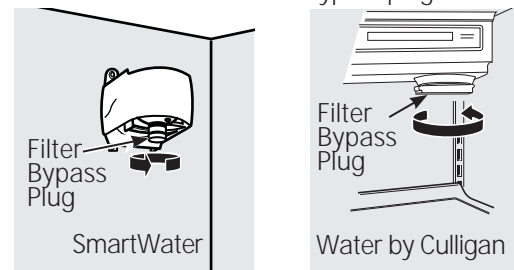
- 6 Run water from the dispenser 1-1/2 gallons (about three minutes) to clear the system and prevent sputtering.
- 7 Press and hold the **WATER FILTER** pad (on some models) on the dispenser for 3 seconds.



**NOTE:** A newly-installed water filter cartridge may *cause water to spurt* from the dispenser upon first use.

### Filter Bypass Plug

You must use the filter bypass plug when a replacement filter cartridge is not available. The dispenser and the icemaker will not operate without the filter or filter bypass plug.



To use the filter bypass plug on Water by Culligan models, you must first remove the filter adapter from the cartridge holder by turning it to the left.

For the maximum benefit of your filtration system, GE recommends the use of GE branded SmartWater filters only. Using GE branded filters in GE and Hotpoint refrigerators provides optimal performance and reliability. GE branded SmartWater filters are always the right choice because they are patented and designed specifically for GE products. GE SmartWater filters meet rigorous industry NSF standards for safety and quality that are important for products that are filtering your water. GE has not qualified non-GE branded filters for use in GE and Hotpoint refrigerators and there is no assurance that non-GE branded filters meet GE's standards for quality, performance and reliability.

If you have questions—visit our Website at [GEAppliances.com](http://GEAppliances.com), or call 1.800.GE.CARES (1.800.432.2737).

### Replacement filters:

To order additional filter cartridges in the United States, visit our Website at [GEAppliances.com](http://GEAppliances.com), or call GE Parts and Accessories, 800.626.2002.

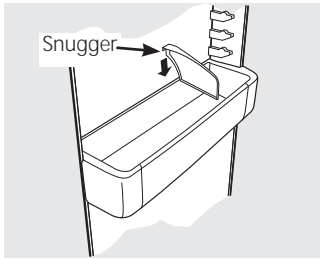
See filter label for type of filter to order (MWF or MSWF).

Customers in Canada should consult the yellow pages for the nearest Mabe Service Center.

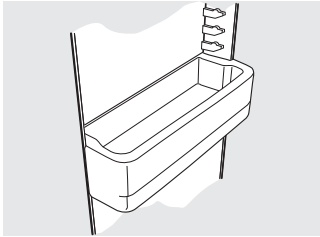


# About the shelves and bins.

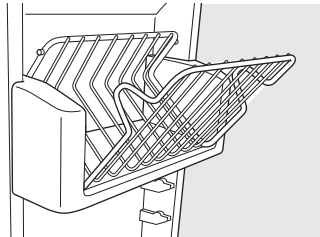
Not all features are on all models.



Refrigerator bin



Freezer bin



Freezer tilt-out bin

## Refrigerator Door Bins and Freezer Door Tilt-Out Bins

### Large Bins

The larger refrigerator door bins and freezer tilt-out door bins are adjustable.

**To remove:** Lift the front of the bin straight up, then lift up and out.

**To replace or relocate:** Engage the back side of the bin in the molded supports of the door. Then push down on the front of the bin. Bin will lock in place.

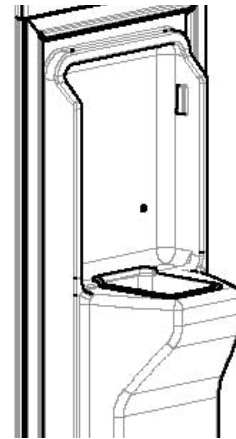
### Small Bins

**To remove:** Lift the front of the bin straight up then out.

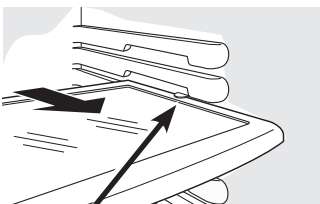
**To replace:** Position the bin above the rectangular molded supports on the door. Then slide the bin down onto the support to lock it in place.

The *snagger* helps prevent tipping, spilling or sliding of small items stored on the door shelf. Place a finger on either side of the snagger near the rear and move it back and forth to fit your needs.

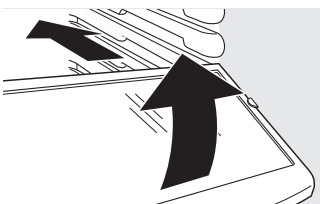
Top freezer bin



**CAUTION:**  
Be careful when placing items in the top bin. Make sure that items do not block or fall into the ice chute.



Press tab and pull shelf forward to remove



## Slide-Out Spillproof Shelf

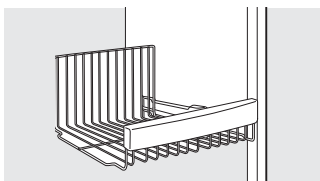
The slide-out spillproof shelf allows you to reach items stored behind others. The special edges are designed to help prevent spills from dripping to lower shelves.

**To replace or relocate:**  
Line the shelf up with the supports and slide it into place. The shelf can be repositioned when the door is at 90° or more. To reposition the shelf, slide the shelf past the stops and angle downward. Slide shelf down to the desired

**To remove:**  
Slide the shelf out until it reaches the stop, then press down on the tab and slide the shelf straight out.

position, line up with the supports and slide into place.

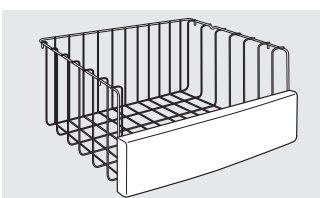
Make sure you push the shelves all the way back in before you close the door.



## Freezer Baskets (on some models)

**To remove,** slide out to the *stop* position, lift the front past the stop position, and slide out.

Make sure you push the baskets all the way back in before you close the door.



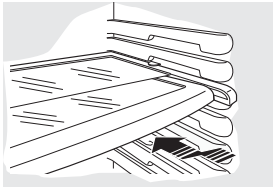
## Freezer Baskets (on some models)

**To remove,** push the basket all the way to the back of the freezer. Lift up until the back pins are disengaged. Lift the entire basket up and pull out.

Make sure you push the baskets all the way back in before you close the door.



Not all features are on all models.

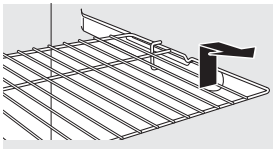


### QuickSpace™ Shelf (on some models)

This shelf splits in half and slides under itself for storage of tall items on the shelf below.

This shelf can be removed and replaced or relocated just like Slide-Out Spillproof Shelves.

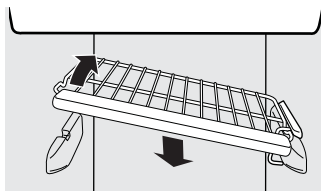
On some models, this shelf can not be used in the lowest position.



### Slide-Out Freezer Shelves

To remove, slide out to the stop position, lift the front past the stop position, and slide out from rib.

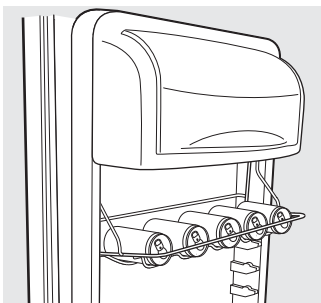
Make sure you push the shelves all the way back in before you close the door.



### Fixed Freezer Shelves

To remove, lift the shelf up at the left side and then bring the shelf out.

**NOTE FOR DISPENSER MODELS:** In order to take full advantage of the tilt-out ice bin (on some models), only store items on the shelf below the ice bin that are no taller than the lowest point on the bin.



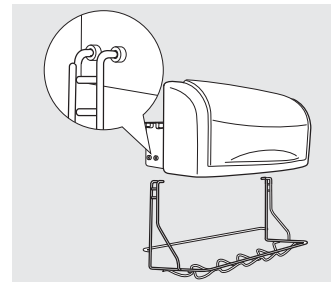
### Door Wine/Beverage Rack (on some models)

This rack holds up to 5 cans, one bottle of wine or one 2-liter bottle of soda.

The rack hangs from the sides of the dairy bin.

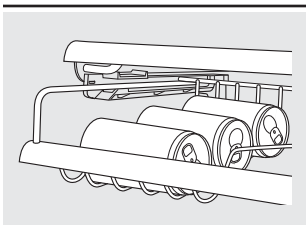
To remove:

- 1 Empty the wine/beverage rack.
- 2 Holding the bottom of the dairy bin, lift the front straight up, then lift up and out.
- 3 To detach the rack from the dairy bin, pull the rack's side wires out of the holes on each side of the dairy bin.



To replace:

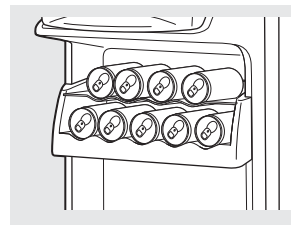
- 1 Reattach the rack to the sides of the bin.
- 2 Engage the back side of the bin in the molded supports on the door. Then push down on the front of the bin. The bin will lock into place.



### ShelfSaver™ Rack (on some models)

Use this rack to store beverage cans for easy access.

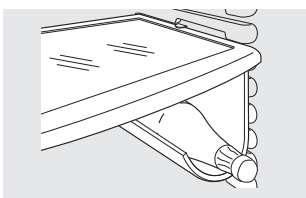
It can also hold a 9" x 13" baking dish.



### Door Can Rack (on some models)

This door rack holds up to 9 cans.

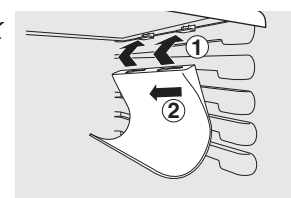
**NOTE:** This rack can only be mounted in the top position under the dairy bin.



### Removable Beverage Rack (on some models)

(on some models)

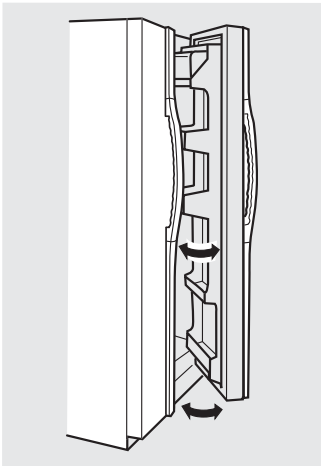
The beverage rack is designed to hold a bottle on its side. It can be attached to any slide-out shelf.



To install:

- 1 Line up the large part of the slots on the top of the rack with the tabs under the shelf.
- 2 Then slide the rack back to lock it in place.

## About the refrigerator doors.



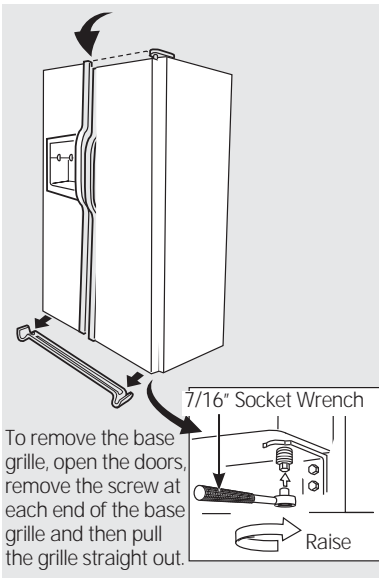
When the door is only partially open, it will automatically close. Beyond this *stop* the door will stay open.

### Refrigerator Doors (on some models)

The refrigerator doors may feel different than the ones you are used to. The special door opening/closing feature makes sure the doors close all the way and are securely sealed.

When opening and closing the door you will notice a *stop* position. If the door is opened past this *stop* point, the door will remain open to allow you to load and unload food more easily. When the door is only partially open, it will automatically close.

The resistance you feel at the *stop* position will be reduced as the door is loaded with food.



To remove the base grille, open the doors, remove the screw at each end of the base grille and then pull the grille straight out.

### Door Alignment

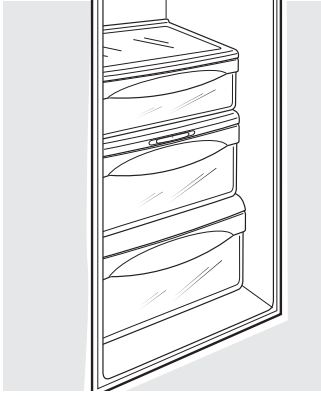
If doors are uneven, adjust the refrigerator door.

① Using a 7/16" socket wrench, turn the door adjusting screw to the right to raise the door; to the left, to lower it. (A nylon plug, imbedded in the threads of the pin, prevents the pin from turning unless a wrench is used.)

② After one or two turns of the wrench, open and close the refrigerator door and check the alignment at the top of the doors.

## About the crispers and pans.

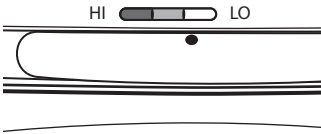
Not all features are on all models.



### Fruit and Vegetable Crispers

Excess water that may accumulate in the bottom of the drawers should be wiped dry.

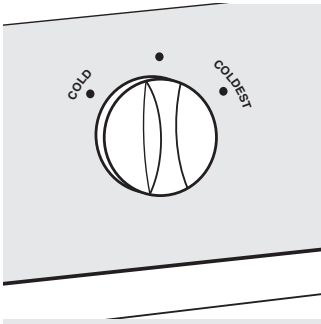
*On some models*, the bottom drawer has full extension slides that allow full access to the drawer.



### Adjustable Humidity Crispers

Slide the control all the way to the *HI* setting to provide high humidity recommended for most vegetables.

Slide the control all the way to the *LO* setting to provide lower humidity levels recommended for most fruits.



### Convertible Deli Pan (on some models)

The convertible deli pan has its own cold air duct to allow a stream of cold air from the freezer compartment or refrigerator compartment to flow to the pan.

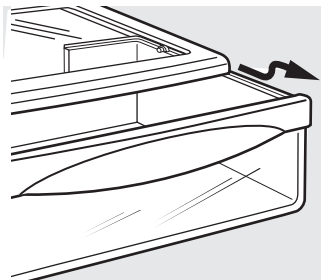
*The variable temperature control* regulates the air flow from the Climate Keeper.

Set the control to the *coldest* setting to store fresh meats.

Set the control to *cold* to convert the pan to normal refrigerator temperature and provide extra vegetable storage space. The cold air duct is turned off. Variable settings between these extremes can be selected.

## About crisper removal.

Not all features are on all models.



### Crisper Removal

Crispers can easily be removed by pulling the drawer straight out and lifting the drawer up and over the *stop* location.

If the door prevents you from taking out the drawers, first try to remove the door bins. If this does not offer enough clearance, the refrigerator will need to be rolled forward until the door opens enough to slide the drawers out. In some cases, when you roll the refrigerator out, you will need to move the refrigerator to the left or right as you roll it out.

## About the automatic icemaker.

A newly installed refrigerator may take 12 to 24 hours to begin making ice.

### Automatic Icemaker

The icemaker will produce seven cubes per cycle—approximately 100–130 cubes in a 24-hour period, depending on freezer compartment temperature, room temperature, number of door openings and other use conditions.

If the refrigerator is operated before the water connection is made to the icemaker, set the power switch in the **OFF** position.

When the refrigerator has been connected to the water supply, set the power switch to the **ON** position.

The icemaker will fill with water when it cools to 15°F (–10°C). A newly installed refrigerator may take 12 to 24 hours to begin making ice cubes.

You will hear a buzzing sound each time the icemaker fills with water.

Throw away the first few batches of ice to allow the water line to clear.

Be sure nothing interferes with the sweep of the feeler arm.

When the bin fills to the level of the feeler arm, the icemaker will stop producing ice. It is normal for several cubes to be joined together.

If ice is not used frequently, old ice cubes will become cloudy, taste stale and shrink.

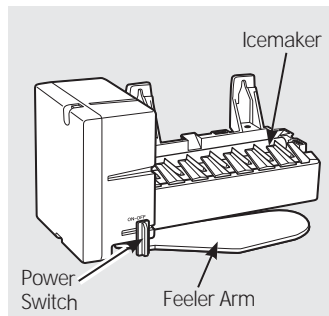
### Special note about dispenser models:

- Some models have a tilt-out ice bin. The bin can be tilted out as shown in the illustrations, and it will hold itself up while you take ice out or turn the icemaker power switch on and off. Be sure to put the bin back in place before closing the door.

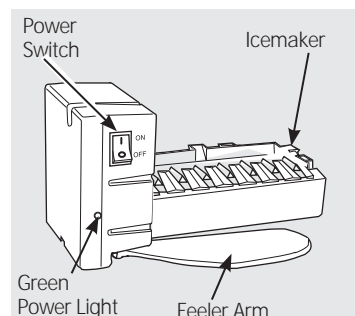
- **To restore your ice level from an empty bucket stage, the following steps are recommended:**

- 1 12 hours after the first batch of ice has fallen into the bin, dispense 3 to 4 cubes.
- 2 After an additional 6 hours, dispense 3 to 4 cubes again.

These steps will restore your ice level in the shortest amount of time.



(on some models)



(on some models)

### NOTE:

In homes with lower than average water pressure, you may hear the icemaker cycle multiple times when making one batch of ice.

## Accessing Ice and Reaching the Power Switch on Dispenser Models

There are two types of ice storage bins on dispenser models. One has a shelf above the bin, the other does not.

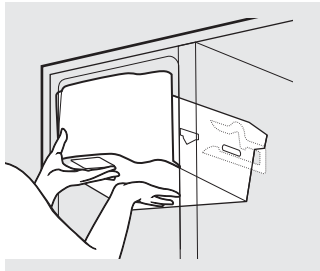
### Special note for models with tilt-out ice bin:

- These models have a tilt-out ice bin. The bin can be tilted out as shown in the illustrations, and it will hold itself up while you take ice out or turn the icemaker power switch on and off. Be sure to put the bin back in place before closing the door.

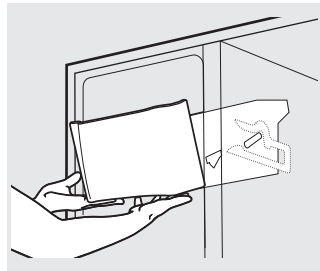
**NOTE:** In order to take full advantage of the tilt-out ice bin, only store items on the shelf below the ice bin that are no taller than the lowest point on the bin.

### Models with tilt out ice bin

To access ice and reach the icemaker power switch:

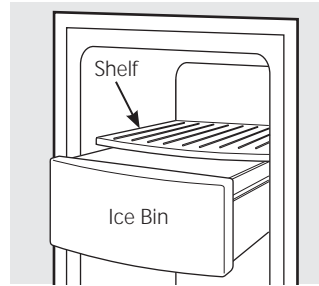


1 Lift the bin, then pull it forward until the bin stops.

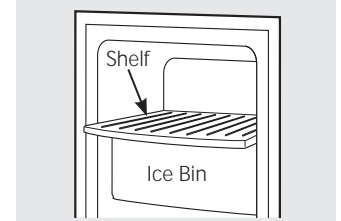


2 Lower the bin to access ice or reach the power switch.

### Models with a shelf above the ice bin

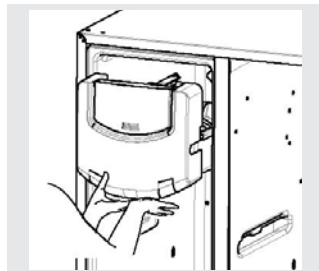


To access ice, pull the bin forward.

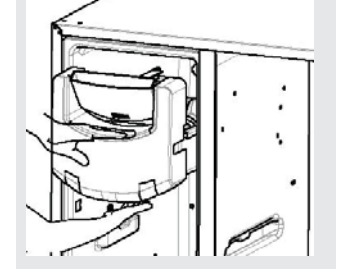


To reach the power switch, pull the shelf straight out. Always be sure to replace the shelf.

### On some models, to access ice or reach the power switch:



1 Pull the bin forward until the bin stops.



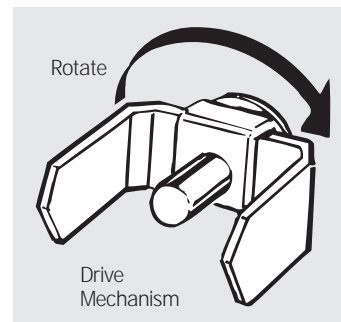
2 Lower the bin to access ice or reach the power switch.

## Removing Ice Bin (dispenser models)

**CAUTION:** The ice bin is heavy when full.

Set the power switch to the **OFF** position before removing the bin.

**When replacing the bin,** be sure to press it firmly into place. If it does not go all the way back, remove it and rotate the drive mechanism 1/4 turn. Then push the bin back again.



Dispenser Models only

## About the ice and water dispenser. (on some models)



### To Use the Dispenser

Select **CUBED ICE**  **CRUSHED ICE**   
or **WATER** .

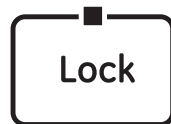
Press the glass gently against the top of the dispenser cradle.

The spill shelf is not self-draining. To reduce water spotting, the shelf and its grille should be cleaned regularly.

If no water is dispensed when the refrigerator is first installed, there may be air in the water line system. Press the dispenser arm for at least two minutes to remove trapped air from the water line and to fill the water system. To flush out impurities in the water line, throw away the first six glassfuls of water.

**CAUTION:** Never put fingers or any other objects into the ice crusher discharge opening.

### Locking the Dispenser



Press the **LOCK** pad for 3 seconds to lock the dispenser and control panel. To unlock, press and hold the pad again for 3 seconds.



### Dispenser Light

This pad turns the *night light* in the dispenser on and off. The light also comes on when the dispenser cradle is pressed. For models with a bulb, if the light burns out, it should be replaced with a 6 watt 12V maximum bulb. For LED models, contact Factory Service.



### Quick Ice (on some models)

When you need ice in a hurry, press this pad to speed up ice production. This will increase ice production for the following 48 hours or until you press the pad again.



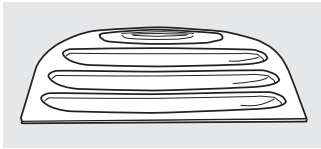
### Door Alarm (on some models)

To set the alarm, press this pad until the indicator light comes on. This alarm will sound if either door is open for more than 3 minutes. The light goes out and the beeping stops when you close the door.

### Important Facts About Your Dispenser

- Do not add ice from trays or bags to the storage drawer. It may not crush or dispense well.
- Avoid overfilling glass with ice and use of narrow glasses. Backed-up ice can jam the chute or cause the door in the chute to freeze shut. If ice is blocking the chute, poke it through with a wooden spoon.
- Beverages and foods should not be quick-chilled in the ice storage drawer. Cans, bottles or food packages in the storage drawer may cause the icemaker or auger to jam.
- To keep dispensed ice from missing the glass, put the glass close to, but not touching, the dispenser opening.
- Some crushed ice may be dispensed even though you selected **CUBED ICE**. This happens occasionally when a few cubes accidentally get directed to the crusher.
- After crushed ice is dispensed, some water may drip from the chute.
- Sometimes a small mound of snow will form on the door in the ice chute. This condition is normal and usually occurs when you have dispensed crushed ice repeatedly. The snow will eventually evaporate.





Dispenser drip area.

## Cleaning the Outside

**The dispenser drip area**, beneath the grille, should be wiped dry. Water left in this area may leave deposits. Remove the deposits by adding undiluted vinegar to the well. Soak until the deposits disappear or become loose enough to rinse away.

**The dispenser cradle**. Before cleaning, lock the dispenser by pressing and holding the **LOCK** pad for 3 seconds. Clean with warm water and baking soda solution—about a tablespoon (15 ml) of baking soda to a quart (1 liter) of water. Rinse thoroughly and wipe dry.

**The door handles and trim**. Clean with a cloth dampened with soapy water. Dry with a soft cloth.

**The stainless steel panels and door handles** (on some models) can be cleaned with a commercially available stainless steel cleaner. A spray-on stainless steel cleaner works best.

Do not use appliance wax or polish on the stainless steel.

**Keep the outside clean**. Wipe with a clean cloth lightly dampened with kitchen appliance wax or mild liquid dish detergent. Dry and polish with a clean, soft cloth.

*Do not wipe the refrigerator with a soiled dish cloth or wet towel. These may leave a residue that can erode the paint. Do not use scouring pads, powdered cleaners, bleach or cleaners containing bleach because these products can scratch and weaken the paint finish.*

## Cleaning the Inside

**To help prevent odors**, leave an open box of baking soda in the fresh food and freezer compartments.

**Unplug the refrigerator before cleaning**. If this is not practical, wring excess moisture out of sponge or cloth when cleaning around switches, lights or controls.

Use warm water and baking soda solution—about a tablespoon (15 ml) of baking soda to a quart (1 liter) of water. This both cleans and neutralizes odors. Rinse and wipe dry.

**Use of any cleaning solution other than that which is recommended, especially those that contain petroleum distillates, can crack or damage the interior of the refrigerator.**

*Avoid cleaning cold glass shelves with hot water because the extreme temperature difference may cause them to break. Handle glass shelves carefully. Bumping tempered glass can cause it to shatter.*

*Do not wash any plastic refrigerator parts in the dishwasher.*

*The chill/thaw tray is dishwasher safe.*

## Care and cleaning of the refrigerator. (cont.)

### Behind the Refrigerator

Be careful when moving the refrigerator away from the wall. All types of floor coverings can be damaged, particularly cushioned coverings and those with embossed surfaces.

Pull the refrigerator straight out and return it to position by pushing it straight in. Moving the refrigerator in a side direction may result in damage to the floor covering or refrigerator.

When pushing the refrigerator back, make sure you don't roll over the power cord or icemaker supply line (on some models).

### Preparing for Vacation

For long vacations or absences, remove food and unplug the refrigerator. Clean the interior with a baking soda solution of one tablespoon (15 ml) of baking soda to one quart (1 liter) of water. Leave the doors open.

Set the icemaker power switch to the *OFF* position and shut off the water supply to the refrigerator.

If the temperature can drop below freezing, have a qualified servicer drain the water supply system (on some models) to prevent serious property damage due to flooding.

### Preparing to Move

Secure all loose items such as shelves and drawers by taping them securely in place to prevent damage.

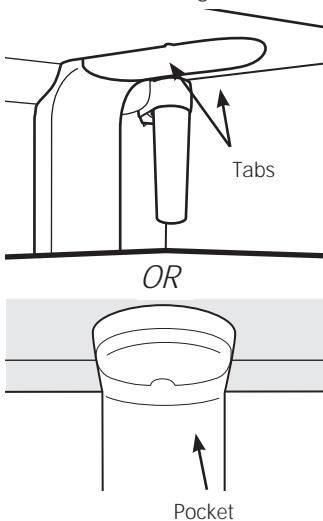
When using a hand truck to move the refrigerator, do not rest the front or back of the refrigerator against the hand truck. This could damage the refrigerator. Handle only from the sides of the refrigerator.

Be sure the refrigerator stays in an upright position during moving.

## Replacing the light bulbs. (on some models)

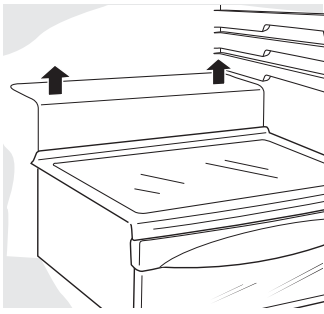
**Note:** Turning the refrigerator off via the controls on the touch panel does not shut off electrical power to the refrigerator.

Your light shield will look like one of the following:



### Refrigerator Compartment—Upper Light

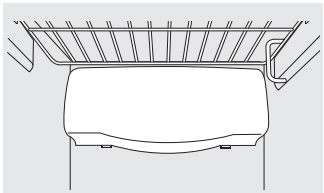
- 1 Unplug the refrigerator.
- 2 The bulbs are located at the top of the compartment, inside the light shield. On some models, a screw at the front of the light shield will have to be removed. On other models, the screw is located in the pocket located at the back of the shield.
- 3 To remove the light shield, on some models, press in on the tabs on the sides of the shield and slide forward and out. On other models, just slide the shield forward and out.
- 4 After replacing the bulb with an appliance bulb of the same or lower wattage, replace the light shield and screw. When replacing the light shield, make sure that the tabs at the back of the shield fit into the slots at the back of the light shield housing.
- 5 Plug the refrigerator back in.



## Refrigerator Compartment—Lower Light

This light is located above the top drawer.

- 1 Unplug the refrigerator.
- 2 Lift the light shield up and pull it out.
- 3 After replacing the bulb with an appliance bulb of the same or lower wattage, replace the shield.
- 4 Plug the refrigerator back in.



## Freezer Compartment

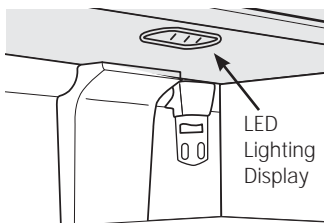
- 1 Unplug the refrigerator.
- 2 Remove the shelf just above the light shield. (The shelf will be easier to remove if it is emptied first.) Remove the screw at the top of the light shield.
- 3 To remove the light shield, press in on the sides, and lift up and out.
- 4 Replace the bulb with an appliance bulb of the same or lower wattage, and reinstall the light shield. When reinstalling the light shield, make sure the top tabs snap securely into place. Replace the screw.
- 5 Reinstall the shelf and plug the refrigerator back in.

## Dispenser (on some models)

- 1 Unplug the refrigerator.
- 2 The bulb is located on the dispenser under the control panel. Remove the light bulb by turning it counterclockwise.
- 3 Replace the bulb with a bulb of the same size and wattage.
- 4 Plug the refrigerator back in.

# Replacing the lights on models with LED lighting

Setting the controls to OFF does not remove power to the light circuit. Not all features are on all models.



## Refrigerator Compartment (on some models)

There is an LED lighting display in the top and sides of the fresh food compartment and in the rear and side of the freezer compartment on some models.

If this assembly needs to be replaced, call GE Service at 1.800.432.2737 in the United States or 1.800.561.3344 in Canada.

# Installation Instructions

# Refrigerator

Models 22, 23, 25, 26, 27 & 29

Questions? Call 800.GE.CARES (800.432.2737) or Visit our Website at: [GEAppliances.com](http://GEAppliances.com)  
In Canada, call 1.800.561.3344 or Visit our Website at: [www.geappliances.ca](http://www.geappliances.ca)

## BEFORE YOU BEGIN

Read these instructions completely and carefully.

- **IMPORTANT** – Save these instructions for local inspector's use.
- **IMPORTANT** – Observe all governing codes and ordinances.
- Note to Installer – Be sure to leave these instructions with the Consumer.
- Note to Consumer – Keep these instructions for future reference.
- Skill level – Installation of this appliance requires basic mechanical skills.
- Completion time – Refrigerator Installation  
30 minutes  
Water Line Installation  
30 minutes
- Proper installation is the responsibility of the installer.
- Product failure due to improper installation is not covered under the Warranty.

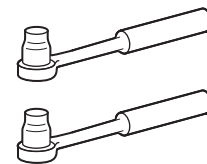
If the refrigerator has already been installed, remove the base grille (see Step 2 in *Moving the Refrigerator*), then skip to Step 5 in *Installing the Refrigerator*.

## PREPARATION

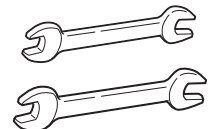
### WATER SUPPLY TO THE ICEMAKER

If the refrigerator has an icemaker, it will have to be connected to a cold water line. A GE water supply kit (containing tubing, shutoff valve, fittings and instructions) is available at extra cost from your dealer, by visiting our Website at [GEAppliances.com](http://GEAppliances.com) (in Canada at [www.geappliances.ca](http://www.geappliances.ca)) or from Parts and Accessories, 800.626.2002 (in Canada 1.800.661.1616).

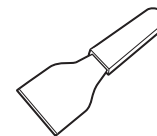
## TOOLS YOU WILL NEED



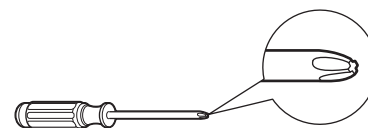
3/8" and 5/16" Socket



1/2" and 7/16" Wrench



Plastic Putty Knife



Phillips Head Screwdriver

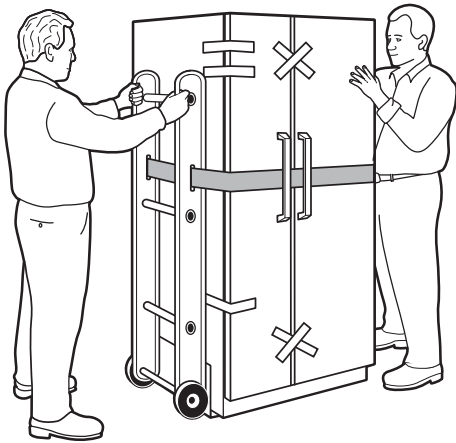
# Installation Instructions

## MOVING THE REFRIGERATOR

### 1 LOADING THE REFRIGERATOR ONTO A HAND TRUCK

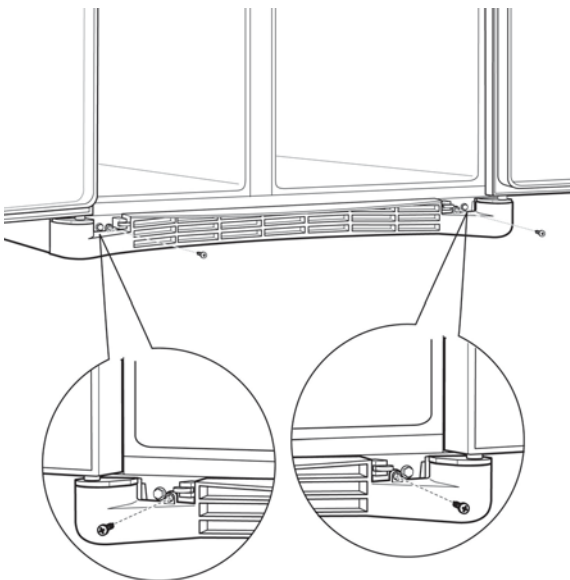
Leave all tape and door pads on doors until the refrigerator is in its final location.

To move the refrigerator, use a padded hand truck. Center the refrigerator on the hand truck and secure the strap around the refrigerator. **DO NOT OVERTIGHTEN THE STRAP.**



### 2 REMOVE THE BASE GRILLE

Remove the grille by removing the two Phillips head screws.



If the refrigerator must go through any entrance that is less than 38" wide, the doors must be removed. Proceed to Step 3.

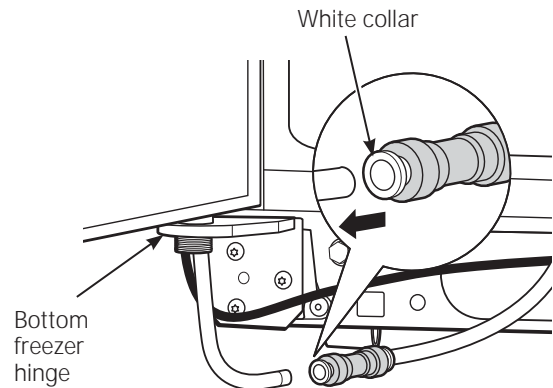
**DO NOT** remove the handles.

If all entrances are more than 38" wide, skip to *Installing the Refrigerator*.

### 3 DISCONNECT THE WATER COUPLING (on some models)

If the refrigerator has a water dispenser, there is a water line from the cabinet into the bottom hinge on the freezer door that must be disconnected.

To disconnect, push in on the white collar of the coupling and pull out the tubing.



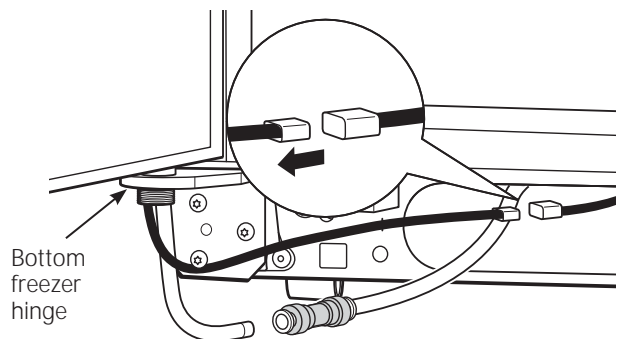
# Installation Instructions

## MOVING THE REFRIGERATOR (CONT.)

### 4 DISCONNECT THE POWER COUPLING (on some models)

If the refrigerator has a water dispenser, there is a power line (harness) from the cabinet into the bottom hinge on the freezer door that must be disconnected.

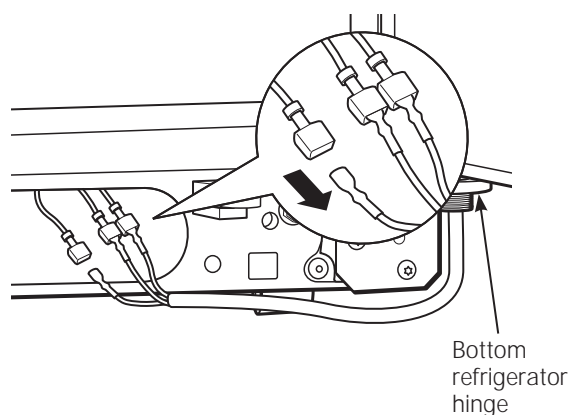
To disconnect, pull apart at the coupling.



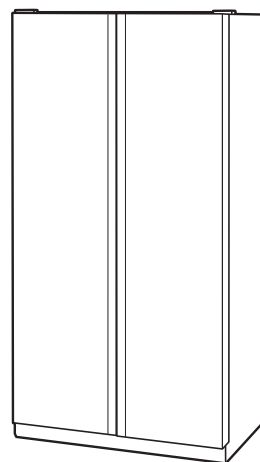
### 5 DISCONNECT THE ELECTRICAL CONNECTORS (on some models)

If the refrigerator has a refreshment center, there are electrical connectors (harnesses) from the cabinet into the bottom hinge on the refrigerator door that must be disconnected.

To disconnect, pull apart each connector.

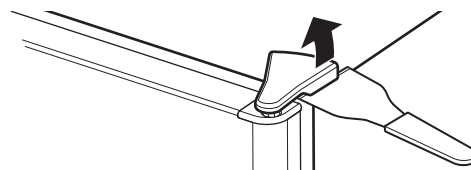


### 6 CLOSE THE FREEZER AND REFRIGERATOR DOORS

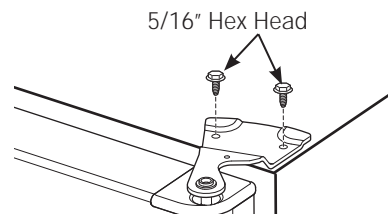


### 7 REMOVE THE FREEZER DOOR

- A Remove the freezer door top hinge cover (if equipped) by either squeezing it and pulling it up or by prying it off with a plastic putty knife.



- B Remove the two 5/16" hex head screws, then lift the hinge straight up to free the hinge pin.



- C Open the freezer door to 90°

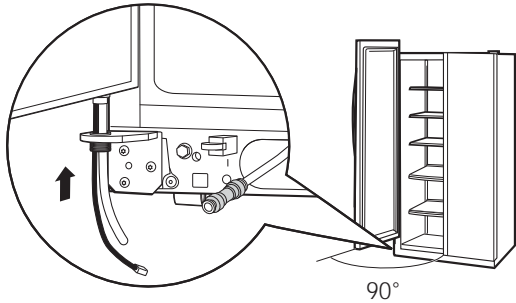




# Installation Instructions

## 7 REMOVE THE FREEZER DOOR (cont.)

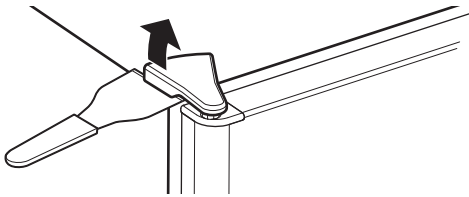
- D As one person slowly lifts the freezer door up and off the bottom hinge, the second person should carefully guide the water line and power line (harness) through the bottom hinge.



- E Set the door on a non-scratching surface with the inside up.

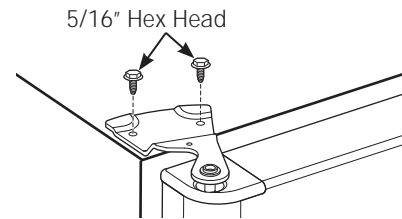
## 8 REMOVE THE REFRIGERATOR DOOR

- A Remove the refrigerator door top hinge cover (if equipped) by either squeezing it and pulling it up or by prying it off with a plastic putty knife.

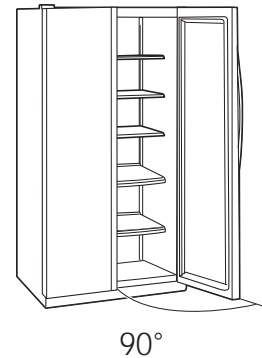


## 8 REMOVE THE REFRIGERATOR DOOR (cont.)

- B Remove the two 5/16" hex head screws, then lift the hinge straight up to free the hinge pin.



- C Open the refrigerator door to 90°



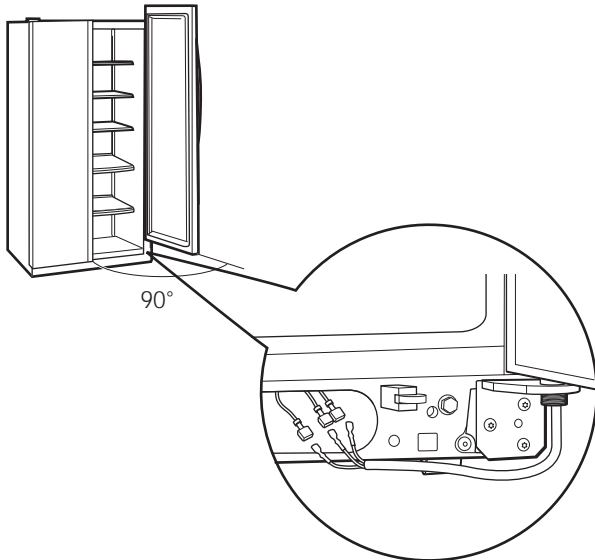
# Installation Instructions

## MOVING THE REFRIGERATOR (CONT.)

### 8 REMOVE THE REFRIGERATOR DOOR (cont.)

- D Lift the refrigerator door up and off the bottom hinge.

If the refrigerator has a refreshment center, one person should slowly lift the door up and off the bottom hinge and the second person should carefully guide the electrical lines (harnesses) through the bottom hinge.



Refreshment Center Models only

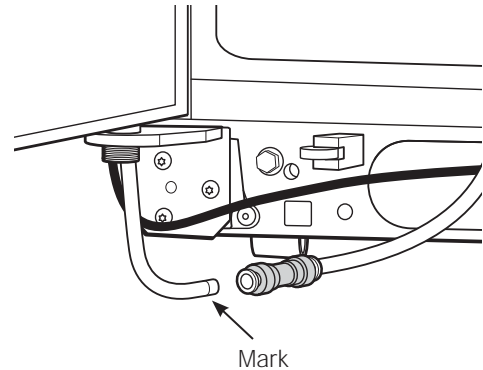
- E Set the door on a non-scratching surface with the inside up.

### 9 REPLACING THE DOORS

To replace the doors, simply reverse steps 3 through 8.

*However, please note the following:*

- When lowering the doors onto the bottom hinges, make sure the second person carefully guides the tube and harnesses through the holes in the hinges.
- When connecting the water line, make sure you insert the tubing all the way to the mark.



- Do not pinch the tubing and harnesses when placing the doors on the bottom hinges.
- When connecting the power line and the electrical lines (refreshment center models only), be sure that the connectors are seated together fully.

# Installation Instructions

## INSTALLING THE REFRIGERATOR

### REFRIGERATOR LOCATION

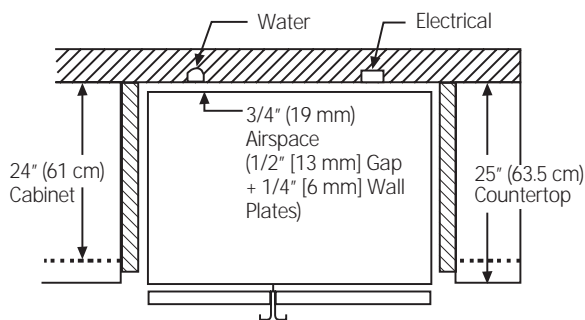
- Do not install the refrigerator where the temperature will go below 60°F (16°C) because it will not run often enough to maintain proper temperatures.
- Do not install the refrigerator where the temperature will go above 100°F (37°C) because it will not perform properly.
- Install it on a floor strong enough to support it fully loaded.

### CLEARANCES

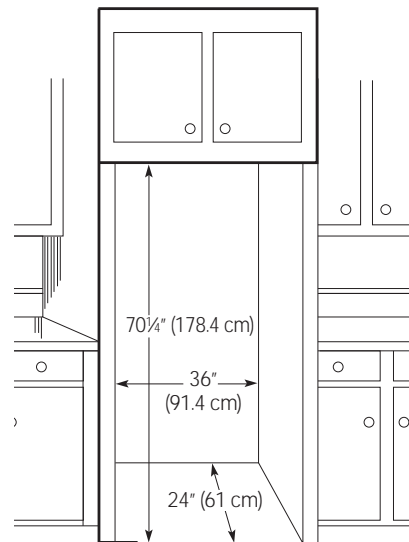
Allow the following clearances for ease of installation, proper air circulation and plumbing and electrical connections:

	23'/25' CustomStyle™	23' (33" wide), 25', 26', 27', 29'
Sides	1/8" (4 mm)	1/8" (4 mm)
Top	1" (25 mm)	1" (25 mm)
Back	1/2" (13 mm)	-1" (25 mm)

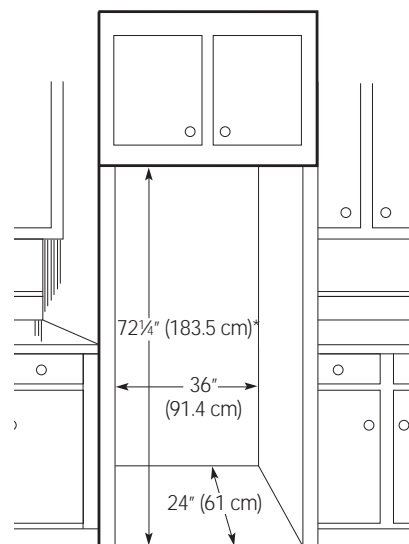
### DIMENSIONS AND SPECIFICATIONS



### DIMENSIONS AND SPECIFICATIONS (for 23' CustomStyle™ models)



### DIMENSIONS AND SPECIFICATIONS (for 25' CustomStyle™ models)



\*72 1/4" (183.5 cm) required for full adjustment of mobility wheels. If cabinets installed above refrigerator have doors that are flush to the top of the opening for the refrigerator, then an additional 1/8" may be required to provide clearance for cabinet doors to open freely.

# Installation Instructions

## INSTALLING THE REFRIGERATOR (CONT.)

### 1 CONNECTING THE REFRIGERATOR TO THE HOUSE WATER LINE

(icemaker and dispenser models)

A cold water supply is required for automatic icemaker and dispenser operation. If there is not a cold water supply, you will need to provide one. See "Installing the Water Line" section.

#### NOTES:

- Before making the connection to the refrigerator, be sure the refrigerator power cord is not plugged into the wall outlet.
- If your refrigerator does not have a water filter, we recommend installing one if your water supply has sand or particles that could clog the screen of the refrigerator's water valve. Install it in the water line near the refrigerator.

If using GE SmartConnect™ Refrigerator Tubing Kit, you will need an additional tube (WX08X10002) to connect the filter. Do not cut plastic tube to install filter.

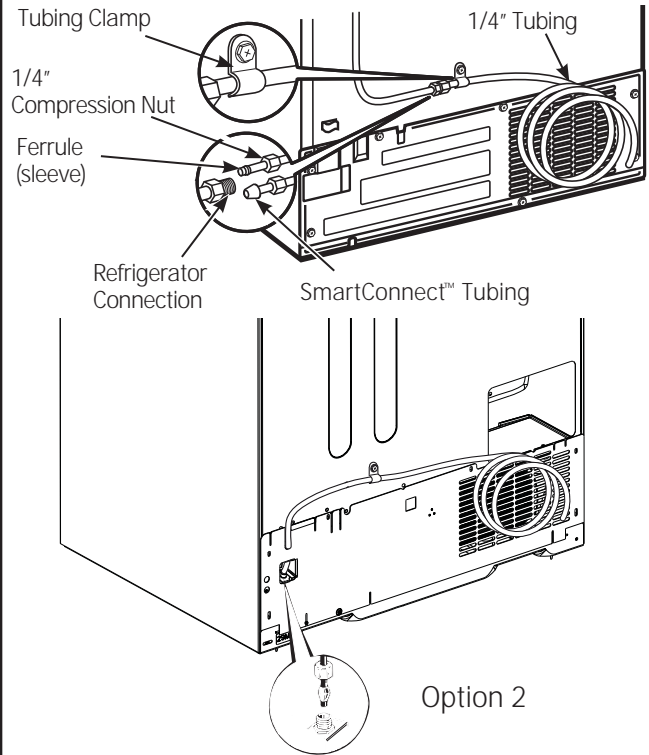
- A** If you are using copper tubing, place a compression nut and ferrule (sleeve) onto the end of the tubing coming from the house cold water supply.

If you are using the GE SmartConnect™ tubing, the nuts are already assembled to the tubing.

- B** If you are using copper tubing, insert the end of the tubing into the refrigerator connection, at the back of the refrigerator, as far as possible. While holding the tubing, tighten the fitting.

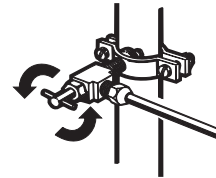
If you are using GE SmartConnect™ tubing, insert the molded end of the tubing into the refrigerator connection, at the back of the refrigerator, and tighten the compression nut until it is hand tight. Then tighten one additional turn with a wrench. Overtightening may cause leaks.

- C** Fasten the tubing into the clamp provided to hold it in position. You may need to pry open the clamp.



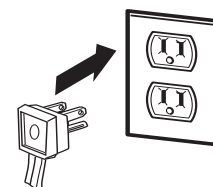
### 2 TURN ON THE WATER SUPPLY

Turn the water on at the shutoff valve (house water supply) and check for any leaks.



### 3 PLUG IN THE REFRIGERATOR

Before plugging in the refrigerator, make sure the icemaker power switch is set to the OFF position.



See the grounding information attached to the power cord.

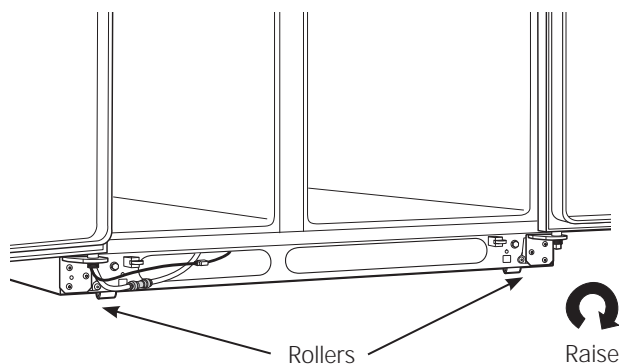
# Installation Instructions

## 4 PUT THE REFRIGERATOR IN PLACE

Move the refrigerator to its final location.

## 5 LEVEL THE REFRIGERATOR

The refrigerator can be leveled by adjusting the rollers located near the bottom hinges.

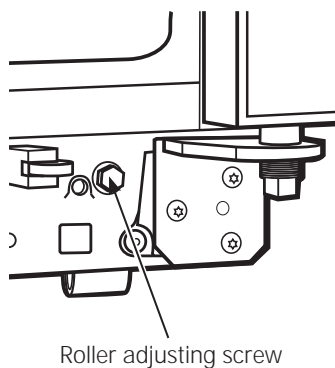


### Rollers have three purposes:

- Rollers adjust so the door closes easily when opened about halfway. (Raise the front about 5/8" [16 mm] from the floor.)
- Rollers adjust so the refrigerator is firmly positioned on the floor and does not wobble.
- Rollers allow you to move the refrigerator away from the wall for cleaning.

To adjust the rollers on 23' (33" wide), 25', 26', 27' and 29' models:

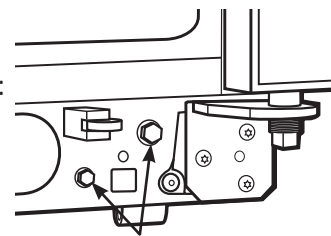
- Turn the roller adjusting screws **clockwise to raise** the refrigerator, **counterclockwise to lower** it. Use a 3/8" hex socket or wrench, or an adjustable wrench.



## 5 LEVEL THE REFRIGERATOR (cont.)

To adjust the rollers on 23'/25' CustomStyle™ models:

Turn the front roller adjusting screws **clockwise to raise** the refrigerator, **counterclockwise to lower** it. Use a 3/8" hex wrench with extension, or an adjustable wrench.



Roller adjusting screws

These models also have rear adjustable rollers so you can align the refrigerator with your kitchen cabinets. Use a 3/8" hex wrench with extension to turn the screws for the rear rollers—**clockwise to raise** the refrigerator, **counterclockwise to lower** it.

## 6 LEVEL THE DOORS

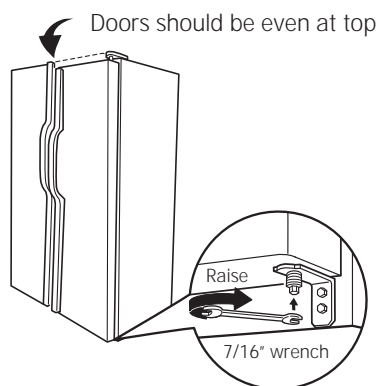
**A** Adjust the refrigerator door to make the doors even at the top.

**B** To align:  
Using a 7/16" wrench, turn the door adjusting screw to the right to raise the door, to the left to lower it.

### NOTE:

A nylon plug, imbedded in the threads of the pin, prevents the pin from turning unless a wrench is used.

After one or two turns of the wrench, open and close the refrigerator door and check the alignment at the top of the doors.

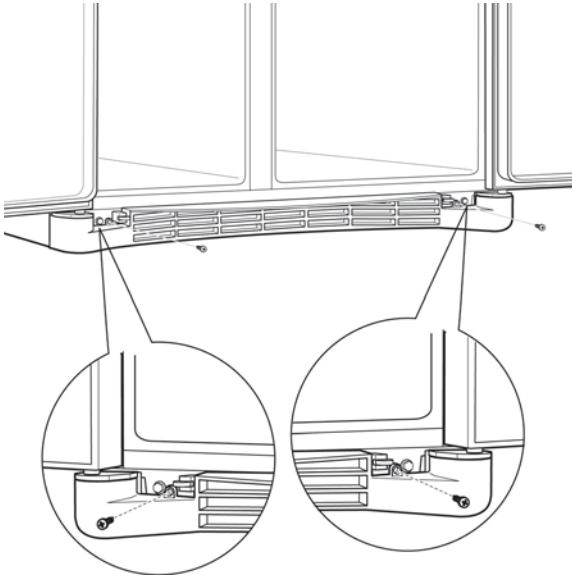


# Installation Instructions

## INSTALLING THE REFRIGERATOR (CONT.)

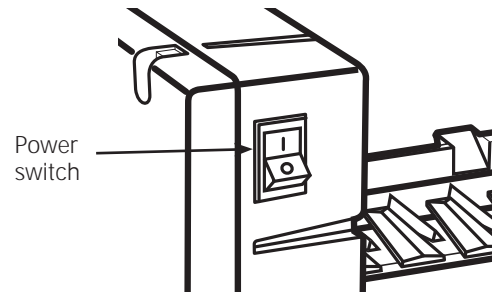
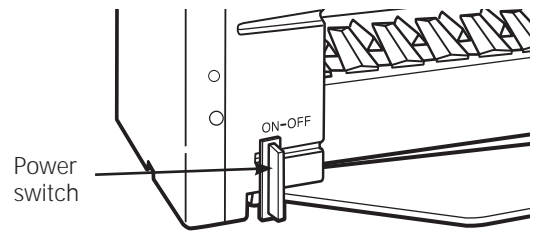
### 7 REPLACE THE BASE GRILLE

Replace the grille by installing the two Phillips head screws.



### 9 START THE ICEMAKER

Set the icemaker power switch to the **I (on)** position. The icemaker will not begin to operate until it reaches its operating temperature of 15°F (-9°C) or below. It will then begin operation automatically. It will take 2–3 days to fill the ice bin.

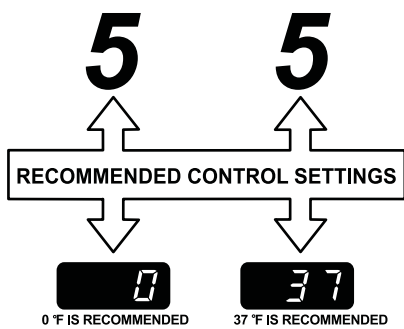


#### NOTE:

In lower water pressure conditions, the water valve may turn on up to 3 times to deliver enough water to the icemaker.

### 8 SET THE CONTROLS

Set the controls to the recommended setting.





# Installation Instructions

## INSTALLING THE WATER LINE (ICEMAKER & DISPENSER MODELS)

### BEFORE YOU BEGIN

Recommended copper water supply kits are WX8X2, WX8X3 or WX8X4, depending on the amount of tubing you need. Approved plastic water supply lines are GE SmartConnect™ Refrigerator Tubing (WX08X10006, WX08X10015 and WX08X10025).

When connecting your refrigerator to a GE Reverse Osmosis Water System, the only approved installation is with a GE RVKit. For other reverse osmosis water systems, follow the manufacturer's recommendations.

If the water supply to the refrigerator is from a Reverse Osmosis Water Filtration System AND the refrigerator also has a water filter, use the refrigerator's filter bypass plug. Using the refrigerator's water filtration cartridge in conjunction with the RO filter can result in hollow ice cubes and slower water flow from the water dispenser.

This water line installation is not warranted by the refrigerator or icemaker manufacturer. Follow these instructions carefully to minimize the risk of expensive water damage.

Water hammer (water banging in the pipes) in house plumbing can cause damage to refrigerator parts and lead to water leakage or flooding. Call a qualified plumber to correct water hammer before installing the water supply line to the refrigerator. To prevent burns and product damage, do not hook up the water line to the hot water line.

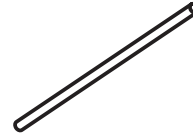
If you use your refrigerator before connecting the water line, make sure the icemaker power switch is in the OFF position.

Do not install the icemaker tubing in areas where temperatures fall below freezing.

When using any electrical device (such as a power drill) during installation, be sure the device is double insulated or grounded in a manner to prevent the hazard of electric shock, or is battery powered.

All installations must be in accordance with local plumbing code requirements.

### WHAT YOU WILL NEED



- Copper or GE SmartConnect™ Refrigerator Tubing kit, 1/4" outer diameter to connect the refrigerator to the water supply. If using copper, be sure both ends of the tubing are cut square.

To determine how much tubing you need: measure the distance from the water valve on the back of the refrigerator to the water supply pipe. Be sure there is sufficient extra tubing to allow the refrigerator to move out from the wall after installation.

GE SmartConnect™ Refrigerator Tubing Kits are available in the following lengths:

- 6' (1.8 m) – WX08X10006
- 15' (4.6 m) – WX08X10015
- 25' (7.6 m) – WX08X10025

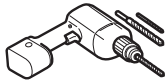
# Installation Instructions

## INSTALLING THE WATER LINE (CONT.)

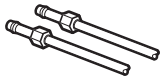
### WHAT YOU WILL NEED (CONT.)

**NOTE:** The only GE approved plastic tubing is that supplied in GE SmartConnect™ Refrigerator Tubing kits. Do not use any other plastic water supply line because the line is under pressure at all times. Certain types of plastic will crack or rupture with age and cause water damage to your home.

- **A GE water supply kit** (containing tubing, shutoff valve and fittings listed below) is available at extra cost from your dealer or from Parts and Accessories, 800.626.2002 (in Canada 1.800.661.1616).
- **A cold water supply.** The water pressure must be between 20 and 120 p.s.i. (1.4–8.1 bar).



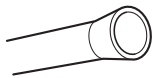
- Power drill.
- 1/2" or adjustable wrench.
- Straight and Phillips blade screwdriver.



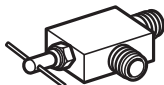
- Two 1/4" outer diameter compression nuts and 2 ferrules (sleeves)—to connect the copper tubing to the shutoff valve and the refrigerator water valve.

**OR**

- If you are using a GE SmartConnect™ Refrigerator Tubing kit, the necessary fittings are preassembled to the tubing.



- If your existing copper water line has a flared fitting at the end, you will need an **adapter** (available at plumbing supply stores) to connect the water line to the refrigerator **OR** you can cut off the flared fitting with a **tube cutter** and then use a compression fitting. Do not cut formed end from GE SmartConnect™ Refrigerator tubing.



- **Shutoff valve** to connect to the cold water line. The shutoff valve should have a water inlet with a minimum inside diameter of 5/32" at the point of connection to the **COLD WATER LINE**. Saddle-type shutoff valves are included in many water supply kits. Before purchasing, make sure a saddle-type valve complies with your local plumbing codes.

Install the shutoff valve on the nearest frequently used drinking water line.

### 1 SHUT OFF THE MAIN WATER SUPPLY

Turn on the nearest faucet long enough to clear the line of water.

### 2 CHOOSE THE VALVE LOCATION

Choose a location for the valve that is easily accessible. It is best to connect into the side of a vertical water pipe. When it is necessary to connect into a horizontal water pipe, make the connection to the top or side, rather than at the bottom, to avoid drawing off any sediment from the water pipe.

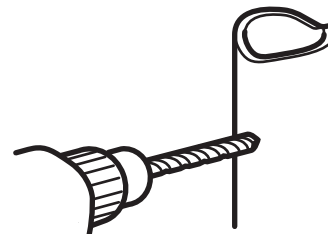


### 3 DRILL THE HOLE FOR THE VALVE

Drill a 1/4" hole in the water pipe (even if using a self-piercing valve), using a sharp bit. Remove any burrs resulting from drilling the hole in the pipe.

Take care not to allow water to drain into the drill.

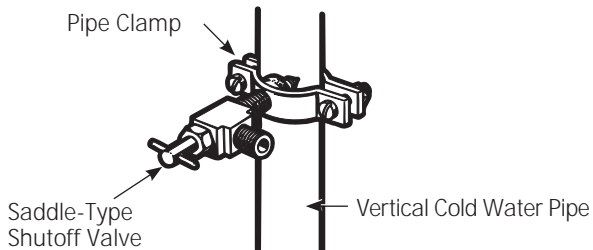
Failure to drill a 1/4" hole may result in reduced ice production or smaller cubes.



# Installation Instructions

## 4 FASTEN THE SHUTOFF VALVE

Fasten the shutoff valve to the cold water pipe with the pipe clamp.

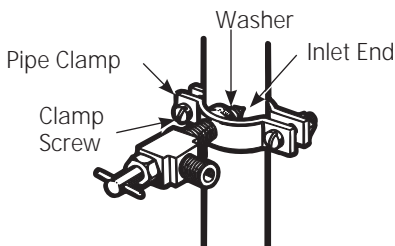


**NOTE:** Commonwealth of Massachusetts Plumbing Codes 248CMR shall be adhered to. Saddle valves are illegal and use is not permitted in Massachusetts. Consult with your licensed plumber.

## 5 TIGHTEN THE PIPE CLAMP

Tighten the clamp screws until the sealing washer begins to swell.

**NOTE:** Do not overtighten or you may crush the tubing.



## 6 ROUTE THE TUBING

Route the tubing between the cold water line and the refrigerator.

Route the tubing through a hole drilled in the wall or floor (behind the refrigerator or adjacent base cabinet) as close to the wall as possible.

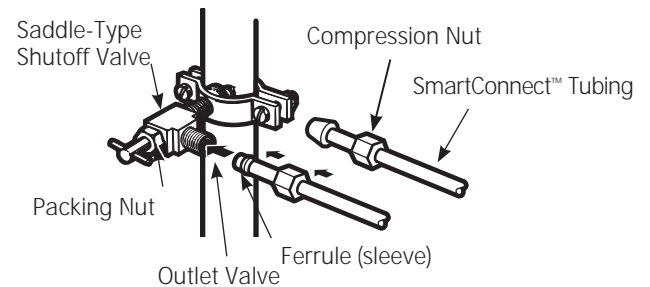
**NOTE:** Be sure there is sufficient extra tubing to allow the refrigerator to move out from the wall after installation.

## 7 CONNECT THE TUBING TO THE VALVE

Place the compression nut and ferrule (sleeve) for copper tubing onto the end of the tubing and connect it to the shutoff valve.

Make sure the tubing is fully inserted into the valve. Tighten the compression nut securely.

For plastic tubing from a GE SmartConnect™ Refrigerator Tubing kit, insert the molded end of the tubing into the shutoff valve and tighten compression nut until it is hand tight, then tighten one additional turn with a wrench. Overtightening may cause leaks.



**NOTE:** Commonwealth of Massachusetts Plumbing Codes 248CMR shall be adhered to. Saddle valves are illegal and use is not permitted in Massachusetts. Consult with your licensed plumber.

## 8 FLUSH OUT THE TUBING

Turn the main water supply on and flush out the tubing until the water is clear.

Shut the water off at the water valve after about one quart (1 liter) of water has been flushed through the tubing.



To complete the installation of the refrigerator, go back to Step 1 in *Installing the Refrigerator*.

## Normal operating sounds.



Newer refrigerators sound different from older refrigerators. Modern refrigerators have more features and use newer technology.

*Do you hear what I hear? These sounds are normal.*

### HUMMM... WHOOSH...

- The new high efficiency compressor may run faster and longer than your old refrigerator and you may hear a high-pitched hum or pulsating sound while it is operating.
- Sometimes the refrigerator runs for an extended period, especially when the doors are opened frequently. This means that the *Frost Guard™* feature is working to prevent freezer burn and improve food preservation.
- You may hear a whooshing sound when the doors close. This is due to pressure equalizing within the refrigerator.



- You may hear the fans spinning at high speeds. This happens when the refrigerator is first plugged in, when the doors are opened frequently or when a large amount of food is added to the refrigerator or freezer compartments. The fans are helping to maintain the correct temperatures.
- If either door is open for over 3 minutes, you may hear the fans come on in order to cool the light bulbs.
- The fans change speeds in order to provide optimal cooling and energy savings.

### CLICKS, POPS, CRACKS and CHIRPS

- You may hear cracking or popping sounds when the refrigerator is first plugged in. This happens as the refrigerator cools to the correct temperature.
- Electronic dampers click open and closed to provide optimal cooling and energy savings.
- The compressor may cause a clicking or chirping sound when attempting to restart (this could take up to 5 minutes).
- The electronic control board may cause a clicking sound when relays activate to control refrigerator components.
- Expansion and contraction of cooling coils during and after defrost can cause a cracking or popping sound.
- On models with an icemaker, after an icemaking cycle, you may hear the ice cubes dropping into the ice bucket.

### WATER SOUNDS



- The flow of refrigerant through the freezer cooling coils may make a gurgling noise like boiling water.
- Water dropping on the defrost heater can cause a sizzling, popping or buzzing sound during the defrost cycle.
- A water dripping noise may occur during the defrost cycle as ice melts from the evaporator and flows into the drain pan.
- Closing the door may cause a gurgling sound due to pressure equalization.



For additional information on normal icemaker and dispenser operating sounds, see the *About the automatic icemaker* and *About the ice and water dispenser* sections.

## Before you call for service...

GEAppliances.com



**Troubleshooting Tips**  
Save time and money! Review the charts on the following pages first and you may not need to call for service.

<i>Problem</i>	<i>Possible Causes</i>	<i>What To Do</i>
<i>Refrigerator does not operate</i>	Refrigerator in defrost cycle.	• Wait about 30 minutes for defrost cycle to end.
	Either or both controls set to <i>OFF</i> .	• Set the controls to a lower temperature setting.
	Refrigerator is unplugged.	• Push the plug completely into the outlet.
	The fuse is blown/circuit breaker is tripped.	• Replace fuse or reset the breaker.
	Refrigerator is in showroom mode.	• Unplug the refrigerator and plug it back in.
<i>Vibration or rattling (slight vibration is normal)</i>	Rollers need adjusting.	• See Rollers.
<i>Motor operates for long periods or cycles on and off frequently. (Modern refrigerators with more storage space and a larger freezer require more operating time. They start and stop often to maintain even temperatures.)</i>	Normal when refrigerator is first plugged in.	• Wait 24 hours for the refrigerator to completely cool down.
	Often occurs when large amounts of food are placed in refrigerator.	• This is normal.
	Door left open.	• Check to see if package is holding door open.
	Hot weather or frequent door openings.	• This is normal.
	Temperature controls set at the coldest setting.	• See About the controls.
<i>Refrigerator or freezer compartment too warm</i>	Temperature control not set cold enough.	• See About the controls.
	Warm weather or frequent door openings.	• Set the temperature control one step colder. See About the controls.
	Door left open.	• Check to see if package is holding door open.
<i>Frost or ice crystals on frozen food (frost within package is normal)</i>	Door left open.	• Check to see if package is holding door open.
	Too frequent or too long door openings.	
<i>Divider between refrigerator and freezer compartments feels warm</i>	Automatic energy saver system circulates warm liquid around front edge of freezer compartment.	• This helps prevent condensation on the outside.
<i>Automatic icemaker does not work</i>	Icemaker power switch is in the <i>OFF</i> position.	• Set the power switch to the <i>ON</i> position.
	Water supply turned off or not connected.	• See Installing the water line.
	Freezer compartment too warm.	• Wait 24 hours for the refrigerator to completely cool down.
	Piled up cubes in the storage bin cause the icemaker to shut off.	• Level cubes by hand.
	Ice cubes stuck in icemaker.	• Turn off the icemaker, remove cubes, and turn the icemaker back on.

## Before you call for service...

<i>Problem</i>	<i>Possible Causes</i>	<i>What To Do</i>
<i>Ice cubes have odor/taste</i>	Ice storage bin needs cleaning.	• Empty and wash bin. Discard old cubes.
	Food transmitting odor/taste to ice cubes.	• Wrap foods well.
	Interior of refrigerator needs cleaning.	• See Care and cleaning.
<i>Small or hollow cubes</i>	Water filter clogged.	• Replace filter cartridge with new cartridge or with plug.
<i>Slow ice cube freezing</i>	Door left open.	• Check to see if package is holding door open.
	Temperature control not set cold enough.	• See About the controls.
<i>Frequent 'buzzing sound' warm (on some models)</i>	Icemaker power switch is in the 1 (on) position, but the water supply to the refrigerator has not been connected.	• Set the power switch to the 0 (off) position. Keeping it in the 1 (on) position will damage the water valve.
<i>Orange glow in the freezer</i>	Defrost heater is on.	• This is normal.
<i>Cube dispenser does not work (on some models)</i>	Icemaker turned off or water supply turned off.	• Turn on icemaker or water supply.
	Ice cubes are frozen to icemaker feeler arm.	• Remove cubes.
	An item is blocking or has fallen into the ice chute inside the top door bin of the freezer.	• Remove any item that might be blocking, or has fallen into, the chute.
	Irregular ice clumps in storage container.	• Break up with fingertip pressure and discard remaining clumps. • Freezer may be too warm. Adjust the freezer control to a colder setting, one position at a time, until clumps do not form.
	Dispenser is <i>LOCKED</i> .	• Press and hold the <i>LOCK</i> pad for 3 seconds.
<i>Water has poor taste/odor (on some models)</i>	Water dispenser has not been used for a long time.	• Dispense water until all water in system is replenished.
<i>Water in first glass is warm (on some models)</i>	Normal when refrigerator is first installed.	• Wait 24 hours for the refrigerator to completely cool down.
	Water dispenser has not been used for a long time.	• Dispense water until all water in system is replenished.
	Water system has been drained.	• Allow several hours for replenished supply to chill.
<i>Water dispenser does not work (on some models)</i>	Water supply line turned off or not connected.	• See Installing the water line.
	Water filter clogged.	• Replace filter cartridge or remove filter and install plug.
	Air may be trapped in the water system.	• Press the dispenser arm for at least two minutes.
	Dispenser is <i>LOCKED</i> .	• Press and hold the <i>LOCK</i> pad for 3 seconds.
<i>Water spurting from dispenser (on some models)</i>	Newly-installed filter cartridge.	• Run water from the dispenser for 3 minutes (about one and a half gallons).
<i>Water is not dispensed (on some models) but icemaker is working</i>	Water in reservoir is frozen.	• Call for service.
	Refrigerator control setting is too cold.	• Set to a warmer setting.



<i>Problem</i>	<i>Possible Causes</i>	<i>What To Do</i>
<i>No water or ice cube production</i>	Supply line or shutoff valve is clogged.	• Call a plumber.
	Water filter clogged.	• Replace filter cartridge or remove filter and install plug.
	Dispenser is <i>LOCKED</i> .	• Press and hold the <i>LOCK</i> pad for 3 seconds.
<i>CUBED ICE was selected but CRUSHED ICE was dispensed (on some models)</i>	Last setting was <i>CRUSHED ICE</i> .	• A few cubes were left in the crusher from the previous setting. This is normal.
<i>Refrigerator has odor</i>	Foods transmitting odor to refrigerator.	• Foods with strong odors should be tightly wrapped. • Keep an open box of baking soda in the refrigerator; replace every three months.
	Interior needs cleaning.	• See Care and cleaning.
<i>Moisture forms on outside of refrigerator</i>	Not unusual during periods of high humidity.	• Wipe surface dry.
<i>Moisture collects inside (in humid weather, air carries moisture into refrigerator when doors are opened)</i>	Too frequent or too long door openings.	• This is normal for the beverage center.
	Due to the higher humidity in the refrigerator, you may on occasion experience fog or small amounts of moisture in the refrigerator compartment.	• This is normal for the beverage center. loads and environmental conditions change. with a per towel if desired.
<i>Interior light does not work</i>	No power at outlet.	• Replace fuse or reset the breaker.
	Light bulb burned out.	• See Replacing the light bulbs.
	For LED lights	• Call Service.
<i>Water on kitchen floor or on bottom of freezer</i>	Cubes jammed in chute.	• Poke ice through with a wooden spoon.
<i>Hot air from bottom of refrigerator</i>	Normal air flow cooling motor. In the refrigeration process, it is normal that heat be expelled in the area under the refrigerator. Some floor coverings are sensitive and will discolor at these normal and safe temperatures.	
<i>Refrigerator never shuts off but the temperatures are OK</i>	Adaptive defrost keeps compressor running during door openings.	• This is normal. The refrigerator will cycle off after the door remains closed for 2 hours.
<i>Refrigerator is beeping</i>	Door is open.	• Close door.
<i>Door not closing properly</i>	Door gasket on hinge side sticking or folding over.	• Apply paraffin wax to the face of the gasket.
<i>Actual temperature not equal to Set temperature</i>	Unit just plugged in.	• Allow 24 hours for system to stabilize.
	Door open for too long.	• Allow 24 hours for system to stabilize.
	Warm food added to refrigerator.	• Allow 24 hours for system to stabilize.
	Defrost cycle is in process.	• Allow 24 hours for system to stabilize.

# Performance Data Sheet (on some models)

## SmartWater Filtration System-GE® MSWF Cartridge

This system has been tested and certified in filter model GE MSWF according to NSF/ANSI Standards 42 and 53 for reduction of the substances listed below. The concentration of the indicated substances in water entering the system was reduced to a concentration less than or equal to the permissible limit for water leaving the system, as specified in NSF/ANSI Standards 42 and 53.\* (Safety factors built in for unmetered usage.)

### Standard No. 42: Aesthetic effects

Parameter	USEPA MCL	Influent Challenge Concentration	Effluent		% Reduction		Min. Required Reduction
			Average	Maximum	Average	Maximum	
Chlorine Taste & Odor	—	2.0 mg/L ± 10%	0.06 mg/L	0.10 mg/L	97%	9.1%	≥ 50%
Particulate**	—	at least 10,000 particles/mL	408,333	670,000	95.5%	89.4%	≥ 85%

### Standard No. 53: Health effects

Parameter	USEPA MCL	Influent Challenge Concentration	Effluent		% Reduction		Max. Permissible Product Water
			Average	Maximum	Average	Maximum	
Turbidity	1 NTU****	11 ± 1 NTU****	0.38 NTU	0.5 NTU	96.5%	95.4%	0.5 NTU
Cysts***	99.95% Reduction	Minimum 50,000 L	< 1 #/L	4 #/L	> 99.99%	> 99.99%	99.95%
Lead at pH 6.5	0.010 mg/L	0.15 mg/L ± 10%	< 1 ppb	< 1 ppb	99.3%	99.3%	0.010 mg/L
Lead at pH 8.5	0.010 mg/L	0.15 mg/L ± 10%	3.1 ppb	9.0 ppb	98.0%	95.5%	0.010 mg/L
Mercury at pH 6.5	0.002 mg/L	0.006 mg/L ± 10%	0.34 ppb	0.7 ppb	94.0%	89.6%	0.002 mg/L
Mercury at pH 8.5	0.002 mg/L	0.006 mg/L ± 10%	0.66 ppb	1.5 ppb	88.4%	73.7%	0.002 mg/L
Lindane	0.0002 mg/L	0.002 mg/L ± 10%	< 0.02 ppb	< 0.02 ppb	> 99.0%	> 99.0%	0.0002 mg/L
Atrazine	0.003 mg/L	0.009 mg/L ± 10%	< 0.5 ppb	< 0.05 ppb	> 93.9%	> 94.3%	0.003 mg/L
2, 4-D	0.070 mg/L	0.210 mg/L ± 10%	7.7 ppb	35 ppb	96.0%	82.0%	0.070 mg/L
Toxaphene	0.003 mg/L	0.015 mg/L ± 10%	< 1 ppb	< 1 ppb	> 92.9%	> 92.9%	0.003 mg/L
Benzene	0.005 mg/L	0.015 mg/L ± 10%	< 0.5 ppb	< 0.5 ppb	> 96.8%	> 97.0%	0.005 mg/L
Carbofuran	0.040 mg/L	0.080 mg/L ± 10%	< 1 ppb	1 ppb	> 98.7%	> 98.7%	0.040 mg/L
P-Dichlorobenzene	0.075 mg/L	0.225 mg/L ± 10%	< 0.5 ppb	< 0.5 ppb	> 99.7%	> 99.8%	0.075 mg/L
Asbestos	99% Reduction	10 <sup>7</sup> to 10 <sup>8</sup> fibers/L; fibers > 10µm in length	< 0.17 MF/L	< 0.17 MF/L	> 99%	> 99%	99% Reduction

\*Tested using pressure of 60 psig; pH of 7.5 ± 0.5; temp of 68° ± 5°F (20° ± 2.5°C).

\*\*Measurement in Particles/mL. Particles used were 0.5-1 microns.

\*\*\*Based on the use of Cryptosporidium parvum oocysts.

\*\*\*\*NTU=Nephelometric Turbidity Units

Capacity 300 gallons (1,135 liters). Contaminant reduction determined by NSF testing.

### Application Guidelines/Water Supply Parameters

Service Flow	0.9 gpm (3.14 lpm)
Water Supply	Potable Water

Water Pressure	40–120 psi (2.8–8.2 bar)
Water Temperature	33°F–100°F (0.6°C–38°C)

It is essential that the manufacturer's recommended installation, maintenance and filter replacement requirements be carried out for the product to perform as advertised. See insert for Warranty information.

### Operating Specifications

- Pressure requirement: 40–120 psi (2.8–8.2 bar), non-shock
- Temperature: 33–100°F (0.6–38°C)
- Flow rate: 0.9 gpm (3.14 lpm)

### General Installation/Operation/Maintenance Requirements

- Flush new cartridge at full flow for 4-1/2 gallons (about five minutes) to purge trapped air.
- Replace cartridge when flow becomes too slow.
- Protect from freezing by removing filter cartridge when temperatures are expected to drop below 40°F (4.4°C). Do not install systems in areas where ambient temperatures may go above 100°F or below 40°F. Do not install on a hot water supply.

### Special Notices

- Installation instructions are included with the product when shipped.
- This drinking water system must be maintained according to manufacturer's instructions, including replacement of filter cartridges.
- Do not use with water that is microbiologically unsafe or of unknown quality without adequate disinfection before or after the system. Systems certified for cyst reduction may be used on disinfected water that may contain filterable cysts.

- The contaminants or other substances removed or reduced by this water treatment system are not necessarily in your water.
- Check for compliance with the applicable state and local laws and regulations.
- Note that while the testing was performed under standard laboratory conditions, actual performance may vary. Systems must be installed and operated in accordance with manufacturer's recommended procedures and guidelines.
- Installation and use MUST comply with all state and local plumbing codes. Do not install if water pressure exceeds 120 psi. If your water pressure exceeds 80 psi (552 kPa), you should install a pressure-limiting valve. Contact a plumbing professional if you are uncertain how to check your water pressure.
- Do not install where water hammer conditions may occur. If water hammer conditions exist you must install a water hammer arrester. Contact a plumbing professional if you are uncertain how to check for this condition.
- Where a backflow prevention device is installed on a water system, a device for controlling pressure due to thermal expansion must be installed.

For conditions of use, health claims certified by the California Department of Public Health, and replacements, see performance data sheet. California Department of Public Health Certification #06-1834. The contaminants or other substances removed or reduced by this water filter are not necessarily in all users' water.

Tested and Certified by NSF International against ANSI/NSF Standards 42 and 53 in model GE MSWF for the reduction of:

#### Standard No. 42: Aesthetic Effects

- Chemical
  - Chlorine Taste and Odor
- Mechanical Filtration
  - Particulate Reduction, Class I

#### Standard No. 53: Health Effects

- Chemical Reduction
  - Atrazine Reduction
  - Endrin Reduction
  - Benzene and Carbofuran Reduction
  - 1,4 Dichlorobenzene and 2,4-D Reduction
- Mechanical Filtration
  - Lead and Lindane Reduction
  - Mercury and Toxaphene Reduction
  - Cyst and Asbestos Reduction



GE  
Appliances  
Appliance Park  
Louisville, KY 40225  
geapplianceparts.com



REPLACEMENT ELEMENT

EPA #10350-MN-005

© 2010 General Electric Company PC61577C

# Performance Data Sheet (on some models) SmartWater™ Filtration System—GE MWF Cartridge

The concentration of the indicated substances in water entering the system was reduced to a concentration less than or equal to the permissible limit for water leaving the system as specified in NSF/ANSI Standard 42 and Standard 53. System tested and certified by NSF International against NSF/ANSI Standard 42 and Standard 53 for the reduction of substances listed below.

## Capacity 300 Gallons (1,135 Liters). Contaminant Reduction Determined by NSF testing.

Substance Tested for Reduction	Average Influent	NSF specified Challenge Concentration	Avg % Reduction	Average Product Water Concentration	Max Permissible Product Water Concentration	NSF Reduction Requirements	NSF Test Report
Chlorine Taste and Odor	2.0 mg/L	2.0 mg/L ± 10%	97.5%	0.05 mg/L	N/A	≥ 50%	J-00077703
Nominal Particulate Class I, ≥0.5 to < 1.0 µm	7,833,333 pts/mL	At least 10,000 particles/mL	99.7%	18,617 pts/mL	N/A	≥85%	J-00077704
Cyst*	101,000 cysts/L	Minimum 50,000 cysts/L	99.99%	1 cyst/L	N/A	≥99.95%	J-00100036
Asbestos	47 MF/L	107 to 108 fibers/L; fibers greater than 10 µm in length	>99%	<1 MF/L	N/A	≥99%	J-00077707
Atrazine	0.009 mg/L	0.009 mg/L ± 10%	94.5%	0.0005 mg/L	0.003 mg/L	N/A	J-00077708
Benzene	0.016 mg/L	0.015 mg/L ± 10%±	96.7%	0.0005 mg/L	0.005 mg/L	N/A	J-00077717
Carbofuran	0.08 mg/L	0.08 mg/L ± 10%	98.7%	0.001 mg/L	0.04 mg/L	N/A	J-00077718
Endrin	0.007 mg/L	0.006 mg/L ± 10%	97.1%	0.0002 mg/L	0.002 mg/L	N/A	J-00100039
Lead @ pH 6.5	0.152 mg/L	0.15 mg/L ± 10%	99.3%	0.001 mg/L	0.010 mg/L	N/A	J-00077722
Lead @ pH 8.5	0.148 mg/L	0.15 mg/L ± 10%	99.3%	0.001 mg/L	0.010 mg/L	N/A	J-00077723
Lindane	0.002 mg/L	0.002 mg/L ± 10%	99.0%	0.00002 mg/L	0.0002 mg/L	N/A	J-00077726
Mercury @ pH 6.5	0.0058 mg/L	0.006 mg/L ± 10%	93.2%	0.0004 mg/L	0.002 mg/L	N/A	J-00100037
Mercury @ pH 8.5	0.0061 mg/L	0.006 mg/L ± 10%	93.2%	0.0004 mg/L	0.002 mg/L	N/A	J-00092355
P-Dichlorobenzene	0.222 mg/L	0.225 mg/L ± 10%	99.8%	0.005 mg/L	0.075 mg/L	N/A	J-00077729
Tetrachloroethylene	0.015 mg/L	0.015 mg/L ± 10%	96.7%	0.0005 mg/L	0.005 mg/L	N/A	J-00082184
Toxaphene	0.015 mg/L	0.015 mg/L ± 10%	93.2%	0.001 mg/L	0.003 mg/L	N/A	J-00077730
2,4-D	0.218 mg/L	0.210 mg/L ± 10%	99.5%	0.0009 mg/L	0.07 mg/L	N/A	J-00085470

\*Based on the use of Cryptosporidium parvum oocysts.

The following pharmaceutical reduction claims have not been certified by NSF International or the state of California. Claims tested and verified by independent laboratory:

Contaminant Reduction	Average Influent	NSF specified Challenge Concentration	Avg % Reduction	Average Product Water Concentration	Max Permissible Product Water Concentration	NSF Reduction Requirements	NSF Test Report
Atenolol	978 ng/L	N/A	99.5%	5.0 ng/L	N/A	N/A	J-00121587
Fluoxetine	907 ng/l	N/A	99.4%	5.4 ng/L	N/A	N/A	J-00121587
Ibuprofen	885 ng/L	N/A	94.1%	52.3 ng/L	N/A	N/A	J-00121588
Progesterone	1097 ng/L	N/A	99.5%	5.0 ng/L	N/A	N/A	J-00121589
Trimethoprim	415 ng/L	N/A	99.5%	2.0 ng/L	N/A	N/A	J-00121587

## Application Guidelines/Water Supply Parameters

Service Flow	0.5 gpm (21.9 lpm)	Water Pressure	40-120 psi (2.8-8.2 bar)
Water Supply	Potable Water	Water Temperature	33°F-100°F (0.6°C-38°C)

It is essential that the manufacturer's recommended installation, maintenance and filter replacement requirements be carried out for the product to perform as advertised. See Installation Manual for Warranty information.

**Note:** While the testing was performed under standard laboratory conditions, actual performance may vary.

Replacement Cartridge: MWF. For estimated costs of replacement elements please call 1-800-626-2002 or visit our website at [www.geapplianceparts.com](http://www.geapplianceparts.com).

### ⚠ WARNING

To reduce the risk associated with ingestion of contaminants:

- Do not use with water that is microbiologically unsafe or of unknown quality without adequate disinfection before and after the system. Systems certified for cyst reduction may be used on disinfected water that may contain filterable cysts. EPA Establishment Number 10350-MN-005.

For conditions of use, health claims certified by the California Department of Public Health, and replacements, see performance data sheet. California Department of Public Health Certification #05-1698. The contaminants or other substances removed or reduced by this water filter are not necessarily in all users' water.

### NOTICE

To reduce the risk associated with property damage due to water leakage:

- Read and follow use instructions before installation and use of this system.
- Installation and use **MUST** comply with all state and local plumbing codes.
- Do not install if water pressure exceeds 120 psi (8.2 bar). If your water pressure exceeds 80 psi, you **must** install a pressure-limiting valve. Contact a plumbing professional if you are uncertain how to check your water pressure.
- Do not install where water hammer conditions may occur. If water hammer conditions exist you **must** install a water hammer arrester. Contact a plumbing professional if you are uncertain how to check for this condition.
- Do not install on hot water supply lines. The maximum operating water temperature of this filter system is 100° F (38° C).
- Protect filter from freezing. Drain filter when temperatures drop below 33°F (0.6°C).
- The disposable filter cartridge **must** be replaced every 6 months at the rated capacity, or sooner if a noticeable reduction in flow rate occurs.



Tested and certified by NSF International against NSF/ANSI Standard 42 and Standard 53 in model GE MWF for the reduction of the claims specified on the performance data sheet.

State of California  
Department of Health Services  
Water Treatment Device  
Certificate Number

06 - 1834

(on some models)

Date Issued: December 6, 2006

<u>Trademark/Model Designation</u>	<u>Replacement Elements</u>
GE MSWF	MSWF

Manufacturer: General Electric Company

The water treatment device(s) listed on this certificate have met the testing requirements pursuant to Section 116830 of the Health and Safety Code for the following health related contaminants:

<u>Microbiological Contaminants and Turbidity</u>	<u>Inorganic/Radiological Contaminants</u>
Cysts	Asbestos
Turbidity	Lead
	Mercury
<u>Organic Contaminants</u>	
Atrazine	
Benzene	
Carbofluran	
Lindane	
p-Dichlorobenzene	
Toxaphene	
2, 4-D	

Rated Service Capacity: 300 gals      Rated Service Flow: 0.90 gpm

Conditions of Certification:  
Do not use where water is microbiologically unsafe or with water of unknown quality, except that systems certified for cyst reduction may be used on disinfected waters that may contain filterable cysts.

State of California Department of Public Health  
Water Treatment Device  
Certificate Number

05-1698

Date Issued: February 2, 2010  
Modified June 25, 2013

<u>Trademark/Model Designation</u>	<u>Replacement</u>	(on some models)
GE MWF	MWF PLWF	

Manufacturer: General Electric Company

The water treatment device(s) listed on this certificate have met the testing requirements pursuant to Section 116830 of the Health and Safety Code for the following health related contaminants:

<u>Microbiological Contaminants and Turbidity</u>	<u>Inorganic/Radiological Contaminants</u>
Cysts	Asbestos
	Lead
	Mercury
<u>Organic Contaminants</u>	
Carbofuran	
Endrin	
p-Dichlorobenzene	
Benzene	
Atrazine	
Lindane	
Tetrachloroethylene	
Toxaphene	
2,4- D	

Rated Service Capacity 300 gallons      Rated Service Flow: 0.5 gallons per minute

Conditions of Certification  
Do not use where water is microbiologically unsafe or with water of unknown quality, except that systems for cyst reduction may be used on disinfected waters that contain filterable cysts.

**For Purchases Made In Iowa:** This form must be signed and dated by the buyer and seller prior to the consummation of this sale. This form should be retained on file by the seller for a minimum of two years.

BUYER:

SELLER:

Name

Name

Address

Address

City

State

Zip

City

State

Zip

Signature

Date

Signature

Date

# Refrigerator Warranty. (For customers in the United States)



All warranty service provided by our Factory Service Centers, or an authorized Customer Care® technician. To schedule service, on-line, visit us at [GEAppliances.com](http://GEAppliances.com), or call 800.GE.CARES (800.432.2737). Please have serial number and model number available when calling for service.

Staple your receipt here. Proof of the original purchase date is needed to obtain service under the warranty.

**For The Period Of: GE Will Replace:**

**GE, GE PROFILE and GE Café MODELS:**

<b>One Year</b> From the date of the original purchase	<i>Any part</i> of the refrigerator which fails due to a defect in materials or workmanship. During this <i>limited one-year warranty</i> , GE will also provide, <i>free of charge</i> , all labor and related service to replace the defective part.
---	--

<b>Thirty Days</b> (Water filter, if included) From the original purchase date of the refrigerator	<i>Any part</i> of the water filter cartridge which fails due to a defect in materials or workmanship. During this <i>limited thirty-day warranty</i> , GE will also provide, <i>free of charge</i> , a replacement water filter cartridge.
--	---

**GE PROFILE and GE Café MODELS ONLY:**

<b>Five Years</b> (GE Profile models only) From the date of the original purchase	<i>Any part of the sealed refrigerating system</i> (the compressor, condenser, evaporator and all connecting tubing) which fails due to a defect in materials or workmanship. During this <i>limited five-year sealed refrigerating system warranty</i> , GE will also provide, <i>free of charge</i> , all labor and related service to replace the defective part in the sealed refrigerating system.
---	---

**What GE Will Not Cover:**

- |   |   |
|---|---|
| <ul style="list-style-type: none"> <li>■ Service trips to your home to teach you how to use the product.</li> <li>■ Improper installation, delivery or maintenance.</li> <li>■ Failure of the product if it is abused, misused, or used for other than the intended purpose or used commercially.</li> <li>■ Loss of food due to spoilage.</li> <li>■ Replacement of house fuses or resetting of circuit breakers.</li> <li>■ Damage caused after delivery.</li> <li>■ Damage caused by a non-GE brand water filter.</li> </ul> | <ul style="list-style-type: none"> <li>■ Replacement of the water filter cartridge, if included, due to water pressure that is outside the specified operating range or due to excessive sediment in the water supply.</li> <li>■ Replacement of the light bulbs, if included, or water filter cartridge, if included, other than as noted above.</li> <li>■ Damage to the product caused by accident, fire, floods or acts of God.</li> <li>■ Incidental or consequential damage caused by possible defects with this appliance.</li> <li>■ Product not accessible to provide required service.</li> </ul> |
|---|---|

**EXCLUSION OF IMPLIED WARRANTIES—Your sole and exclusive remedy is product repair as provided in this Limited Warranty. Any implied warranties, including the implied warranties of merchantability or fitness for a particular purpose, are limited to one year or the shortest period allowed by law.**

This warranty is extended to the original purchaser and any succeeding owner for products purchased for home use within the USA. If the product is located in an area where service by a GE Authorized Servicer is not available, you may be responsible for a trip charge or you may be required to bring the product to an Authorized GE Service location for service. In Alaska, the warranty excludes the cost of shipping or service calls to your home.

Some states do not allow the exclusion or limitation of incidental or consequential damages. This warranty gives you specific legal rights, and you may also have other rights which vary from state to state. To know what your legal rights are, consult your local or state consumer affairs office or your state's Attorney General.

Warrantor: General Electric Company. Louisville, KY 40225



# CUSTOMER WARRANTY

(for customers in Canada)

Your refrigerator is warranted to be free of defects in material and workmanship.

What is covered	How Long Warranted (From Date of Sale)	Parts Repair or Replace at Mabe's Option	Labour
Compressor	GE Profile: Ten (10) Years GE and All Other Brands: One (1) Year	GE Profile: Ten (10) Years GE and All Other Brands: One (1) Year	GE Profile: Five (5) Years GE and All Other Brands: One (1) Year
Sealed System (including evaporator, condenser tubing and refrigerant)	GE Profile: Five (5) Years GE and All Other Brands: One (1) Year	GE Profile: Five (5) Years GE and All Other Brands: One (1) Year	GE Profile: Five (5) Years GE and All Other Brands: One (1) Year
All Other Parts	One (1) Year	One (1) Year	One (1) Year

## TERMS AND CONDITIONS:

This warranty applies only for single family domestic use in Canada when the Refrigerator has been properly installed according to the instructions supplied by Mabe and is connected to an adequate and proper utility service.

Damage due to abuse, accident, commercial use, and alteration or defacing of the serial plate cancels all obligations of this warranty.

Service during this warranty period must be performed by an Authorized Mabe Service Agent.

Neither Mabe nor the Dealer is liable for any claims or damages resulting from failure of the Refrigerator or from service delays beyond their reasonable control.

To obtain warranty service, purchaser must present the original Bill of Sale. Components repaired or replaced are warranted through the remainder of the original warranty period only.

This warranty is extended to the original purchaser and any succeeding owner for products purchased for home use within Canada. In home warranty service will be provided in areas where it is available and deemed reasonable by Mabe to provide.

This warranty is in addition to any statutory warranty.

## WHAT IS NOT COVERED:

- Owner is responsible to pay for service calls related to product installation and/or teaching how to use the product.
- Damage to finish must be reported within 48 hours following the delivery of the appliance.
- Damage to finish after delivery.
- Improper installation—proper installation includes adequate air circulation to the refrigeration system, adequate electrical, plumbing and other connecting facilities.
- Replacement of house fuses or resetting of circuit breakers.
- Replacement of light bulbs.
- Damage to product caused by accident, fire, floods or acts of God.
- Loss of food due to spoilage.
- Proper use and care of product as listed in the owner's manual, proper setting of controls.
- Product not accessible to provide required service.
- **WARRANTOR IS NOT RESPONSIBLE FOR CONSEQUENTIAL DAMAGES.**
- Damage caused by a non-GE brand water filter.

*EXCLUSION OF IMPLIED WARRANTIES—Your sole and exclusive remedy is product repair as provided in this Limited Warranty. Any implied warranties, including the implied warranties of merchantability or fitness for a particular purpose, are limited to one year or the shortest period allowed by law.*

## IMPORTANT

Keep this warranty and your bill of sale as proof of original purchase and purchase date. Please have serial number and model number available when calling for service.

Mabe Service is available coast to coast. If further help is needed concerning this warranty, contact:

Manager, Consumer Relations  
Mabe Canada Inc., Consumer Service  
1 Factory Lane, Suite 310  
Moncton, New Brunswick E1C 9M3  
1.800.561.3344

Staple your receipt here.  
Proof of the original purchase  
date is needed to obtain service  
under the warranty.





*Notes...*

---

**Mesures de sécurité** ..... 42, 43

**Fonctionnement**

Clayettes et bacs ..... 48, 49  
Entretien et nettoyage  
du réfrigérateur ..... 55, 56  
ExpressChill™ ..... 46  
Le distributeur d'eau et de glaçons ..... 54  
Le filtre à eau ..... 47  
Les commandes ..... 44  
Les portes du réfrigérateur ..... 50  
Les tiroirs et contenants à légume ..... 50  
Machine à glaçons automatique ..... 52, 53  
Remplacement des ampoules ..... 56  
TurboCool™ ..... 45

**Installation**

Déménagement du réfrigérateur .... 58–63  
Installation de la conduite d'eau .... 67–69  
Installation du réfrigérateur ..... 64–66  
Préparation ..... 58

**Conseils de dépannage** ..... 71–74  
Bruits de fonctionnement normaux ..... 70

**Soutien au consommateur**

Feuillet de données relatives à la  
performance de la cartouche MWF ..... 76  
Garantie pour la clientèle au Canada .... 75  
Soutien au consommateur ..... 80  
Notas ..... 76-79

Transcrivez les numéros de modèle et de série  
ici :

# de modèle \_\_\_\_\_

# de série \_\_\_\_\_

Ils figurent sur l'étiquette qui se trouve à l'intérieur du  
compartiment réfrigérateur en haute à droite.

# MESURES DE SÉCURITÉ IMPORTANTES. LISEZ D'ABORD TOUTES LES DIRECTIVES.

---

## ⚠ **AVERTISSEMENT!**

N'utilisez cet électroménager que pour l'usage auquel il est destiné, comme expliqué dans le présent manuel.

## MESURES DE SÉCURITÉ

---

Lorsque vous utilisez un appareil électrique, observez toujours les mesures de sécurité de base, y compris les suivantes.

- Installez le réfrigérateur conformément aux directives d'installation avant de l'utiliser.
- Ne laissez pas les enfants grimper, s'asseoir, se tenir debout ni se pendre aux clayettes du réfrigérateur. Ils pourraient endommager le réfrigérateur et se blesser gravement.
- Ne touchez pas les surfaces froides du congélateur si vous avez les mains humides ou mouillées : la peau risque d'adhérer à ces surfaces très froides.
- N'entreposez et n'utilisez pas d'essence ou autres vapeurs et liquides inflammables à proximité de cet appareil ou de tout autre appareil électroménager.
- Si votre réfrigérateur est doté d'une machine à glaçons automatique évitez le contact avec les pièces mobiles du mécanisme éjecteur, ou avec l'élément chauffant situé à la partie inférieure de la machine à glaçons. Ne posez pas les doigts ou les mains sur le mécanisme de la machine à glaçons pendant que le réfrigérateur est branché.
- Éloignez les doigts des parties du réfrigérateur où l'on peut facilement se pincer : les espaces entre les portes et entre les portes et les placards sont toujours étroits. Soyez prudent lorsque vous fermez les portes de l'appareil en présence des enfants.
- Débranchez votre réfrigérateur avant de le nettoyer ou de le réparer.

**REMARQUE:** Nous vous recommandons vivement de confier toute réparation à un technicien qualifié.

- Ne recongelez pas les aliments surgelés qui ont complètement dégelé.

**REMARQUE:** La mise en arrêt du réfrigérateur à l'aide des commandes de l'écran tactile n'entraîne pas sa mise hors tension.

## **⚠ DANGER! RISQUES POUR LES ENFANTS**

### COMMENT VOUS DÉBARRASSER CONVENABLEMENT DE VOTRE ANCIEN RÉFRIGÉRATEUR

Les enfants pris au piège ou morts d'asphyxie sont toujours d'actualité. Les réfrigérateurs abandonnés sont toujours aussi dangereux, même si on n'attend que «quelques jours» pour s'en débarrasser. Si vous ne gardez pas votre ancien réfrigérateur, veuillez suivre les directives ci-dessous afin de prévenir les accidents.

#### ***Avant de vous débarrasser de votre ancien réfrigérateur ou congélateur:***

- Démontez les portes.
- Laissez les clayettes en place afin d'empêcher les enfants de grimper à l'intérieur.

#### ***Réfrigérants***

Tous les appareils de réfrigération contiennent des réfrigérants qui, conformément aux lois fédérales, doivent être enlevés avant toute élimination de l'appareil. Si vous vous débarrassez de vieux appareils de réfrigération, vérifiez, auprès de la société qui s'occupe de leur élimination, ce que vous devez faire.

## CORDONS PROLONGATEURS

Nous vous recommandons fortement de ne pas utiliser de cordons prolongateurs à cause des risques potentiels qu'ils présentent dans certaines conditions.

Toutefois si vous décidez d'utiliser tout de même un cordon prolongateur, il est absolument nécessaire qu'il s'agisse d'un cordon à 3 fils avec mise à la terre pour appareils électroménagers homologué UL (aux États-Unis) ou certifié CSA (au Canada), pourvu d'une fiche et d'une prise mises à la terre de 15 ampères (minimum) et de 120 volts.

## **⚠ AVERTISSEMENT!**

### RACCORDEMENT ÉLECTRIQUE

Ne coupez ni retirez en aucun cas la troisième broche (mise à la terre) de la fiche du cordon d'alimentation. Pour votre sécurité, cet appareil doit être correctement mis à la terre.

Le cordon d'alimentation de cet appareil est muni d'une fiche à 3 broches (mise à la terre) qui se branche dans une prise murale ordinaire à 3 alvéoles (mise à la terre) pour réduire au minimum les risques de chocs électriques.

Faites examiner la prise de courant et le circuit par un électricien qualifié pour vous assurer que la prise est correctement mise à la terre.

Si la prise murale est du type standard à 2 alvéoles, il vous incombe de la faire remplacer par une prise à 3 alvéoles correctement mise à la terre.

Le réfrigérateur doit toujours être branché dans sa propre prise de courant, dont la tension nominale est identique à celle indiquée sur la plaque signalétique.

Cette précaution est recommandée pour garantir un rendement optimum et éviter une surcharge des circuits électriques de la résidence, ce qui pourrait créer un risque d'incendie par surchauffe des fils.

Ne débranchez jamais le réfrigérateur en tirant sur le cordon d'alimentation. Saisissez fermement la fiche du cordon et tirez droit pour la retirer de la prise.

Réparez ou remplacez immédiatement tout cordon effiloché ou endommagé. N'utilisez pas un cordon fendillé ou présentant des signes d'usure.

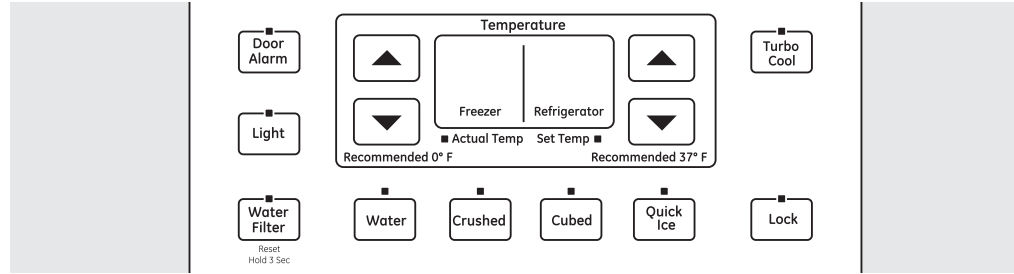
Lorsque vous déplacez votre réfrigérateur du mur, faites attention de ne pas le faire rouler sur le cordon d'alimentation afin de ne pas l'endommager.

## VEUILLEZ LIRE ET SUIVRE ATTENTIVEMENT CES MESURES DE SÉCURITÉ.

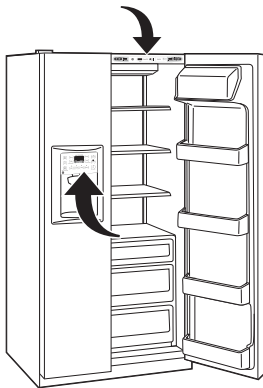
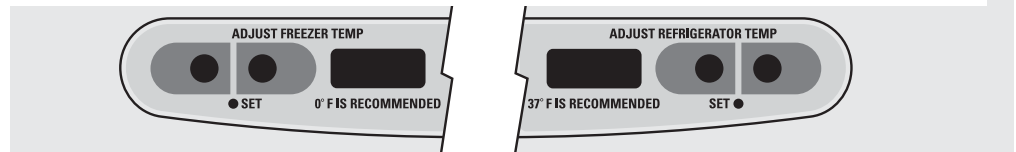
### ***CONSERVEZ CES DIRECTIVES***

## À propos des commandes de température.

Toutes les options ne sont pas disponibles sur tous les modèles. Les commandes de votre appareil peuvent se présenter ainsi:



OU



Les commandes de températures sont pré-réglées en usine à 3°C (37°F) pour le compartiment réfrigérateur et à -18°C (0°F) pour le compartiment congélateur. Veuillez attendre 24 heures pour que la température se stabilise au pré-réglage recommandé.

Les commandes de températures peuvent afficher les températures SET (fixées) ainsi que les températures réelles à l'intérieur du réfrigérateur et du congélateur. La température actuelle peut légèrement varier de la température SET (fixée) suivant les conditions d'utilisation et de fonctionnement.

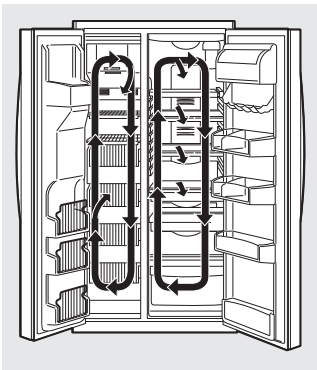
- Sur certains modèles, en mettant les deux commandes sur la température la plus élevée, le refroidissement est arrêté dans les compartiments de congélation et de réfrigération.
- Sur d'autres modèles, en mettant une des commandes sur la température la plus élevée jusqu'à ce que l'affichage clignote (off), le refroidissement est arrêté dans les compartiments de congélation et de réfrigération.
- **REMARQUE:** En éteignant le réfrigérateur à l'aide des commandes sur le panneau à touches tactiles, l'alimentation électrique de l'appareil n'est pas coupée.

**REMARQUE:** Le réfrigérateur est livré avec un film protecteur sur les commandes de températures. Si le film n'a pas été retiré pendant l'installation, retirez-le maintenant.

## Technologie Performance Air Flow

Le système Performance Air Flow est conçu pour maximiser le contrôle de la température dans les compartiments de congélation et de réfrigération. Ce concept unique comprend une Air Tower (Tour d'aération) le long de la paroi arrière du réfrigérateur et un Air Tunnel (Tunnel d'aération) sur la partie inférieure de la paroi arrière du congélateur.

Le fonctionnement de l'appareil ne sera pas affecté si des aliments sont placés devant les grilles de ces composants. Il est possible de retirer la Air Tower (tour d'aération) et le Air Tunnel (tunnel d'aération). Toutefois, ceci affectera les performances de l'appareil. (Pour le démontage de ces composants, en ligne, 24 heures sur 24, consultez notre site [GEAppliances.com](http://GEAppliances.com) ou appelez le 800.GE.CARES. Au Canada, veuillez consulter notre site internet [geappliances.ca](http://geappliances.ca) ou nous contacter au 1.800.561.3344.)



## Fonctionnement

Le système *ClimateKeeper2™* est le système de réfrigération le plus avancé qui soit permettant l'obtention de conditions de température et d'humidité optimales dans le réfrigérateur.

Le système *ClimateKeeper2™* est équipé de deux évaporateurs — un pour le réfrigérateur et un pour le congélateur.

L'appareil est ainsi équipé de deux systèmes de refroidissement séparé. Le flux d'air est ainsi séparé entre les aliments frais et le compartiment congélateur pendant le cycle de refroidissement normal.

Ceci permet d'avoir un taux d'humidité beaucoup plus élevé dans le compartiment de réfrigération que dans un système classique, \*\* permettant aux aliments de conserver plus longtemps leur taux d'humidité et leur fraîcheur. Les aliments sensibles à l'humidité ambiante tels que les fruits frais, les salades, le riz, etc. peuvent maintenant être stockés sur des clayettes ouvertes sans perte d'humidité excessive. A cause du taux d'humidité plus important dans le réfrigérateur, la présence

de légers brouillards ou de condensation dans le compartiment de réfrigération est possible. C'est un phénomène normal dont l'apparition dépend des différentes quantités d'aliments et des conditions environnementales.

Si nécessaire, essuyez avec un chiffon sec.

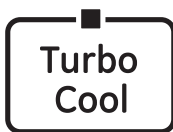
Les flux d'air séparés minimisent le mélange d'air entre les deux compartiments, réduisent le transfert d'odeurs des aliments frais et permettent d'améliorer le goût des glaçons.

Le système *ClimateKeeper2™* permet également de réduire le nombre de cycle de dégivrage de l'évaporateur du congélateur réduisant ainsi les brûlures de congélation.

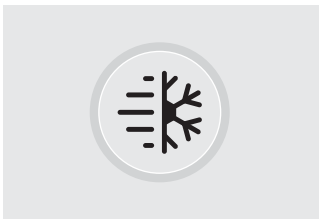
*\* l'air du congélateur est utilisé dans le cycle CustomCool.*

*\*\* Les essais démontrent un niveau d'humidité plus élevé dans la partie Aliment Frais dans les réfrigérateurs équipés du ClimateKeeper2.*

## Au sujet de TurboCool™ (sur certains modèles)



OU



## Fonctionnement

Le système *TurboCool™* accélère le refroidissement du compartiment réfrigérateur afin de refroidir plus rapidement les aliments. Utilisez *TurboCool™* lorsque vous ajoutez une grande quantité d'aliments dans le compartiment réfrigérateur, lorsque vous rangez des aliments après les avoir laissés à température ambiante ou lorsque vous rangez des restes d'aliments tièdes. Vous pouvez également utiliser cette fonction lorsque votre réfrigérateur est resté débranché pendant une période prolongée.

Une fois activé, le compresseur se met immédiatement en marche et si nécessaire, les ventilateurs se mettent en marche et s'arrêtent rapidement à intervalles réguliers pendant huit heures. Le compresseur continue à fonctionner jusqu'à ce que le compartiment réfrigérateur se refroidisse à une température d'environ 1°C (34°F), puis il se met en marche et s'arrête à intervalles

réguliers pour maintenir cette température. Au bout de huit heures, ou si vous appuyez sur la touche *TurboCool™*, le compartiment réfrigérateur revient à son réglage d'origine.

### How to Use

Press *TurboCool™*. The *TurboCool™* temperature display will show *Tc* and the LED will be activated.

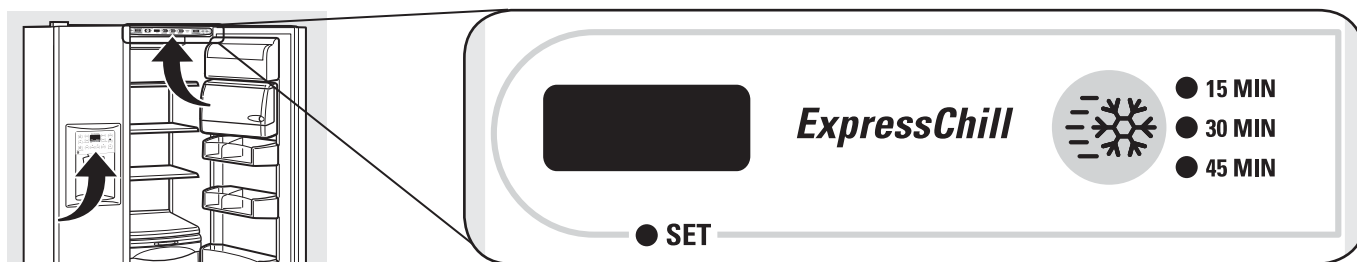
After *TurboCool™* is complete, the *TurboCool™* indicator light will go out.

**NOTES:** The refrigerator temperature cannot be changed during *TurboCool™*.

The freezer temperature is not affected during *TurboCool™*.

When opening the refrigerator door during *TurboCool™*, the fans will continue to run if they have cycled on.

## About ExpressChill™ (sur certains modèles)

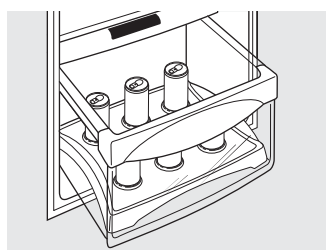


### Fonctionnement

Le fonction *ExpressChill™* comporte un système de registres, un ventilateur et une thermistance.

Le bac est scellé hermétiquement afin d'empêcher les variations de température dans le reste du réfrigérateur.

Les commandes pour ce bac sont situées sur le haut du réfrigérateur ou au niveau du distributeur avec les commandes de température.



ExpressChill™

### Mode d'emploi

- 1 Videz le bac. Placez le plateau Chill (refroidissement) dans le bac. Placez les aliments sur le plateau et fermez complètement le bac.
- 2 Appuyez sur la touche *ExpressChill™*. Sur certains modèles, vous pouvez sélectionner la durée de refroidissement (utilisez le tableau pour déterminer le meilleur réglage). Sur d'autres modèles, vous n'avez qu'une seule option (45 minutes). Sur les modèles à

possibilités de réglages multiples, appuyez sur la touche jusqu'à ce que le voyant lumineux apparaisse à côté du réglage souhaité.

■ Pour désactiver une fonction avant que le cycle ne soit terminé, appuyez sur la touche correspondant à cette fonction jusqu'à ce qu'aucune option ne soit sélectionnée et que l'écran s'éteigne.

■ Pendant le cycle de *ExpressChill™* le compte à rebours est affiché.

### Retrait et remise en place du bac

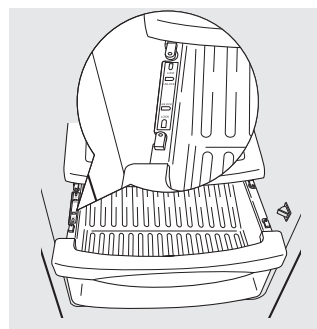
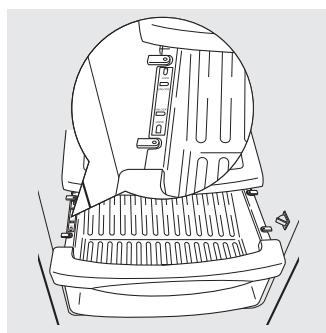
*Pour le retirer :*

- 1 Tirez le bac jusqu'à la butée.
- 2 Faites tourner les quatre verrous jusqu'à leur position déverrouillée.
- 3 Soulevez l'avant du bac puis faites le sortir en tirant.

*Pour le remettre en place :*

- 1 Assurez-vous que les quatre verrous soient en position de déverrouillage.
- 2 Placez les côtés du bac dans les supports du bac en vous assurant que les verrous soient positionnés sur les encoches du tiroir.

- 3 Fermez les verrous en les faisant tourner en position de verrouillage.



### Tableau ExpressChill™ (sur certains modèles)

**REMARQUE :** Les résultats varient selon l'emballage, la température original de l'aliment ou certaines de ses caractéristiques particulières

#### 15 Minutes

- 1 canette (12 oz)
- 2 petites cartons de jus de fruits (6-8 oz onces)

#### 30 Minutes

- 2 à 6 canettes (12 oz onces)
- 2 bouteilles en plastique de 20 onces
- 4 à 6 cartons de jus de fruits (6 à 8 oz onces)
- 3 packs de jus de fruits en aluminium
- Vin (bouteille de 750 ml)

#### 45 Minutes

- 2 litre de boisson
- 1/2 gallon (1,9 litre) de jus de fruits
- 1 paquet de gélatine





## Cartouche du filtre à eau

La cartouche du filtre à eau se trouve dans le coin droit arrière supérieur du compartiment réfrigérateur, juste au-dessous des commandes de température.

### À quel moment remplacer le filtre sur les modèles avec indicateur lumineux de remplacement

Une lumière indique la nécessité de remplacer la cartouche du filtre à eau sur le distributeur. Cette lumière devient orange pour vous avertir de remplacer bientôt le filtre.

Vous devez remplacer la cartouche de filtre quand la lumière de l'indicateur devient rouge ou quand le débit de l'eau qui va au distributeur d'eau ou au distributeur de glace diminue.

### À quel moment remplacer le filtre sur les modèles sans indicateur lumineux de remplacement

La cartouche du filtre doit être remplacée tous les six mois ou moins si le débit d'eau du distributeur d'eau ou du distributeur de glace diminue.

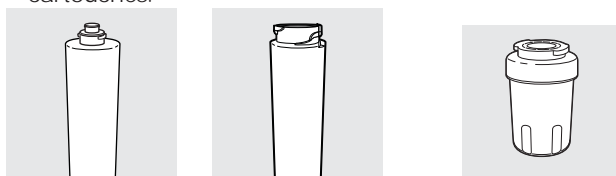
### Retrait de la cartouche du filtre

S'il s'agit d'une cartouche de remplacement, enlevez d'abord l'ancienne en la tournant lentement vers la gauche. Ne tirez pas sur la cartouche. Un peu d'eau peut s'écouler.

### Installation de la cartouche du filtre à eau

1 Si vous remplacez une cartouche SmartWater avec un adaptateur, il doit être retiré avant l'installation de la cartouche. Pour retirer l'adaptateur, faites-le pivoter vers la gauche d'environ un quart de tour.

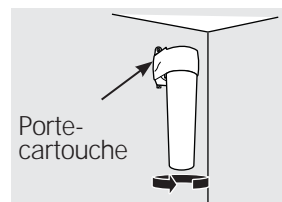
Si vous remplacez une cartouche Water by Culligan, laissez l'adaptateur en place. Cet adaptateur demeurera dans le réfrigérateur lorsque que vous remplacerez les futures cartouches.



Avec adaptateur Sans adaptateur (l'apparence peut varier)

Certains modèles utilisent ce type de filtre à eau.

- 2 Sur les modèles sans indicateur lumineux de remplacement, appliquer l'autocollant du mois et de l'année à la nouvelle cartouche pour vous rappeler de remplacer le filtre dans six mois.
- 3 Remplissez la cartouche de remplacement d'eau du robinet immédiatement après l'installation afin de permettre un meilleur débit du distributeur.
- 4 Alignez la flèche de la cartouche avec celle de support de cartouche. Placez le haut de la nouvelle cartouche à l'intérieur du support. Ne l'enfoncez pas dans le porte-cartouche.
- 5 Tournez la cartouche lentement vers la droite jusqu'au point où la cartouche s'arrête. NE SERREZ PAS TROP FORT. Lorsque vous la tournez, elle se lèvera en position automatiquement. La cartouche fera approximativement une 1/2 rotation.



- 6 Faites couler l'eau du distributeur pendant 3 minutes (environ 6 litres) afin de dégager le système et empêcher le bredouillement.
- 7 Pressez et maintenez appuyée la touche WATER FILTER (filtre à eau) sur le distributeur pendant 3 secondes (sur certains modèles).

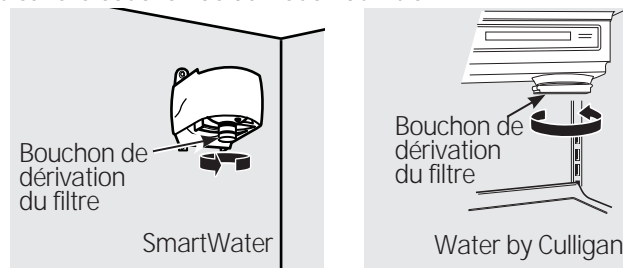


Reset Hold 3 Sec

**REMARQUE:** Une cartouche de remplacement qui vient d'être installée peut faire jaillir l'eau du distributeur.

### Bouchon de dérivation du filtre

Il faut utiliser le bouchon de dérivation du filtre lorsqu'une cartouche de remplacement n'est pas disponible. Le distributeur et la machine à glaçons ne peuvent pas fonctionner sans le filtre ou sans le bouchon de dérivation du filtre.



Pour utiliser la prise de dérivation du filtre sur les modèles Water by Culligan, vous devez d'abord retirer l'adaptateur du filtre du support de la cartouche en le faisant pivoter vers la gauche.

Pour obtenir des résultats optimaux de votre système de filtration, GE vous recommande d'utiliser uniquement des filtres GE SmartWater. L'utilisation de filtres GE dans les réfrigérateurs GE et Hotpoint vous garantit une performance optimale et une bonne fiabilité. Les filtres SmartWater de GE restent le bon choix parce qu'ils sont spécifiquement conçus et brevetés pour les produits GE. Les filtres GE SmartWater respectent les normes rigoureuses de sécurité et de qualité NSF qui sont primordiales lors de la filtration d'eau. GE n'a pas agréé des filtres de marques différentes pour une utilisation dans les réfrigérateurs GE et Hotpoint. Aucune assurance n'est donnée que les filtres d'autres marques puissent respecter la qualité, performance et fiabilité exigées par GE.

Si vous avez des questions—visitez notre site Web à l'adresse [www.electromenagersge.ca](http://www.electromenagersge.ca) ou appelez le 1.888.261.2133.

### Filtres de remplacement:

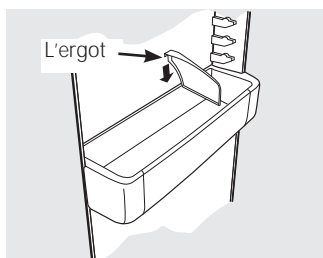
Pour commander des cartouches supplémentaires aux États-Unis, visitez notre site Web à l'adresse [ge.com](http://ge.com), ou appelez le Service des pièces et accessoires GE au 800.626.2002.

Voir l'étiquette du filtre pour le type de filtre à l'ordre (MWF ou MSWF)

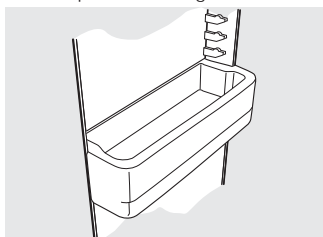
Les clients au Canada devraient consulter les pages jaunes pour connaître la succursale Mabe la plus près.

# Clayettes et bacs.

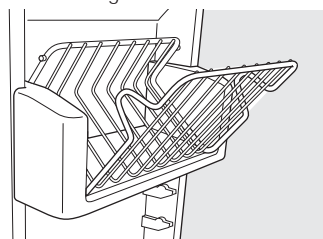
Toutes les caractéristiques ne sont pas disponibles sur tous les modèles.



Bac de porte de réfrigérateur



Bac de congélateur



Bac basculant de porte de congélateur

## Bacs de porte de réfrigérateur et bacs basculants de porte de congélateur.

### Grands bacs

Vous pouvez régler les plus grands bacs de porte de réfrigérateur et les bacs basculants de porte de congélateur.

**Enlèvement:** Soulevez l'avant du bac droit vers le haut, puis soulevez et enlevez.

**Remise en place ou relocalisation:** Engagez l'arrière du bac dans les soutiens moulés de la porte. Puis poussez vers le bas l'avant du bac. Le bac se fixe en place.

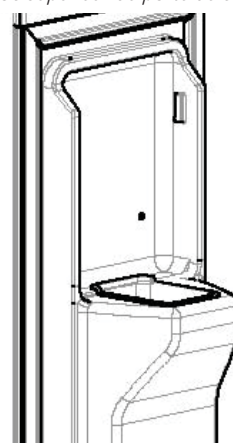
### Petits bacs

**Enlèvement:** Soulevez l'avant du bac droit vers le haut, puis enlevez.

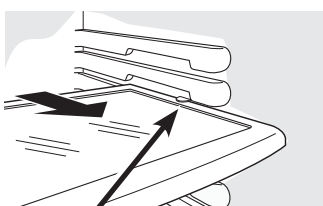
**Remise en place:** Placez le bac au dessus des soutiens moulés rectangulaires de la porte. Puis faites glisser le bac vers le bas dans les supports pour le fixer en place.

L'ergot aide à empêcher que de petits articles placés sur la clayette de la porte se renversent, coulent ou glissent. Mettez un doigt de chaque côté de l'ergot près de l'arrière et faites bouger la clayette vers l'avant ou vers l'arrière selon vos besoins.

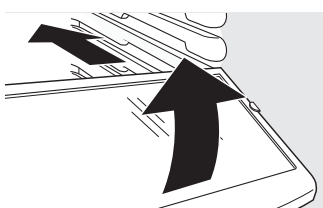
Bac supérieur de porte de congélateur



**MISE EN GARDE:**  
Soyez prudents lorsque vous placez des articles dans le bac supérieur. Assurez-vous qu'aucun objet ne bloque ou tombe dans la chute à glaçons.



Appuyez sur le taquet et tirez la clayette vers l'avant pour l'enlever



## Clayette coulissante anti-déversement

Grâce à la clayette glissante anti-déversement, vous pouvez atteindre des articles placés derrière d'autres. Ses bords spéciaux sont conçus pour empêcher tout déversement aux clayettes inférieures.

### Remise en place ou relocalisation:

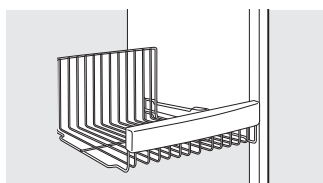
Alignez la clayette avec les supports et faites glisser en place. L'étagère peut être repositionnée lorsque la porte est ouverte à 90° ou plus. Pour ce faire, faites glisser l'étagère au delà des butées et inclinez-la

### Enlèvement:

Faites glisser la clayette vers l'extérieur jusqu'à ce qu'elle atteigne son point d'arrêt, puis appuyez le taquet vers le bas et faites glisser la clayette directement vers l'extérieur.

vers le bas. Faites-la glisser vers le bas dans la position désirée, alignez-la avec les supports et glissez-la en place.

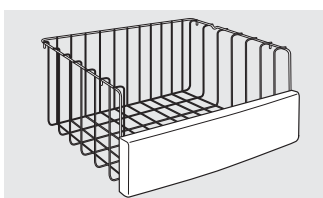
Prenez soin de pousser la clayette jusqu'au fond pour refermer la porte.



## Paniers du congélateur (sur certains modèles)

**Pour retirer,** faites-la glisser jusqu'à la position d'arrêt, soulevez l'avant au delà de la position d'arrêt et faites sortir en glissant.

Prenez soin de pousser les paniers jusqu'au fond pour refermer la porte.

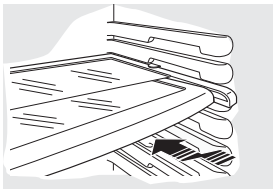


## Paniers du congélateur (sur certains modèles)

**Pour enlever,** repoussez le panier complètement vers l'arrière du congélateur. Soulevez-le jusqu'à ce que les broches arrière soient dégagées. Soulevez le panier au complet et retirez-le.

Prenez soin de pousser les paniers jusqu'au fond pour refermer la porte.

Toutes les caractéristiques ne sont pas disponibles sur tous les modèles.



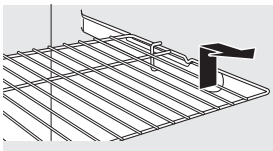
### Clayette QuickSpace™ (sur certains modèles)

Vous pouvez diviser en deux cette clayette et faire coulisser sa partie avant sous sa partie arrière pour ranger des articles de haute taille sur la clayette du dessous.

Vous pouvez enlever cette clayette et la

remettre en place ou la placer comme une clayette coulissante anti-déversement.

Dans certains modèles, vous ne pouvez pas utiliser cette clayette dans la position la plus basse.

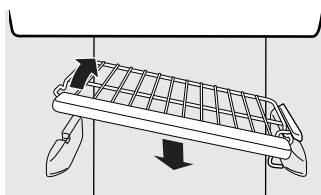


### Clayettes de congélateur à retrait par coulissement

Pour retirer, faites-la glisser jusqu'à la position d'arrêt, soulevez l'avant au delà de la position d'arrêt et faites-la glisser

en dehors du support.

Prenez soin de pousser les clayettes jusqu'au fond pour refermer la porte.

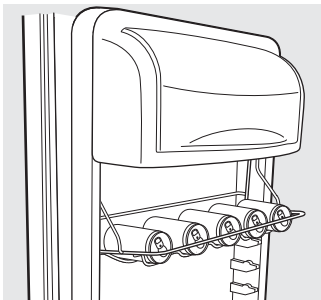


### Clayettes de congélateur fixes

Pour retirer, levez-la par le côté gauche et ensuite retirez-la du réfrigérateur.

**REMARQUE CONCERNANT LES MODÈLES AVEC DISTRIBUTEUR:** Afin de tirer pleinement

avantage du tiroir basculant, la taille des articles déposés sur la clayette en dessous du tiroir à glaçons ne doit pas excéder le point le plus bas de ce tiroir.



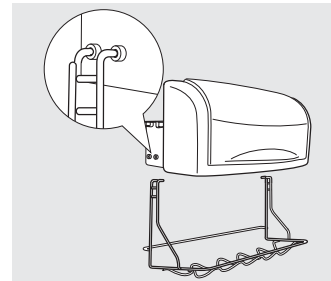
### Support à bouteilles de vin/boissons (sur certains modèles)

Ce support peut contenir jusqu'à 5 canettes, une bouteille de vin ou une bouteille de soda de 2 litres.

Le support est accroché aux côtés du bac à produits laitiers.

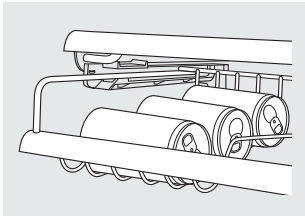
**Pour enlever:**

- 1 Videz le support.
- 2 En tenant la partie inférieure du bac à produits laitiers, soulevez sa partie avant en ligne droite, puis tirez vers le haut et l'extérieur.
- 3 Pour dégager le support du bac à produits laitiers, tirez sur les tiges latérales du support pour les retirer des trous situés sur les côtés du bac.



**Pour replacer:**

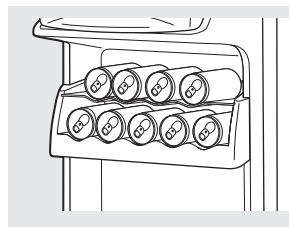
- 1 Accrochez le support aux côtés du bac.
- 2 Engagez la partie arrière du bac dans les supports moulés de la porte. Poussez ensuite la partie avant du bac vers le bas. Le bac se verrouillera en place.



### Casier ShelfSaver™ (sur certains modèles)

Utilisez ce casier pour y ranger des canettes afin de faciliter l'accès.

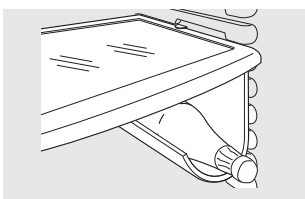
Le casier peut aussi servir pour ranger un plat de cuisson au four mesurant 9" x 13".



### Râtelier de porte à boîtes (sur certains modèles)

Ce râtelier de porte contient jusqu'à 9 boîtes.

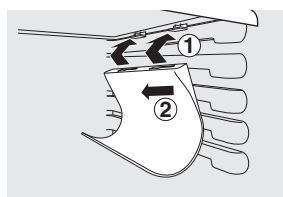
**REMARQUE:** Vous ne pouvez monter ce râtelier qu'en position du haut, sous le bac à produits laitiers.



### Panier mobile à breuvage (sur certains modèles)

Le panier à breuvage est conçu pour contenir une bouteille de côté.

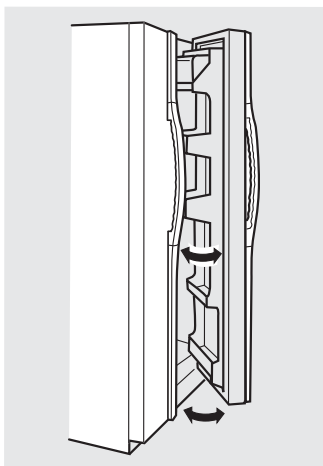
Vous pouvez le fixer à n'importe quelle clayette coulissante.



**Installation:**

- 1 Alignez la partie large des fentes au sommet du panier aux taquets qui se trouvent sous la clayette.
- 2 Faites coulisser ensuite le panier pour le fixer en position.

## Les portes du réfrigérateur.



Lorsque la porte est partiellement ouverte, elle se ferme automatiquement.

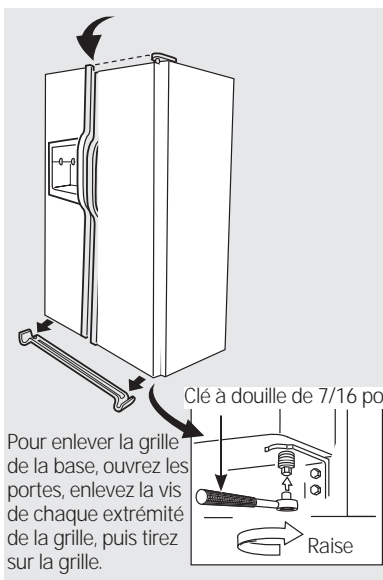
Au delà de cette position d'arrêt la porte restera ouverte.

### Portes du réfrigérateur (sur certains modèles)

Les portes de votre réfrigérateur ne sont pas tout à fait comme celles dont vous avez l'habitude. Un système spécial d'ouverture/fermeture assure que les portes ferment complètement et hermétiquement.

Lorsque vous ouvrez et fermez les portes, vous remarquerez qu'elles sont munies d'une position d'arrêt. Si vous ouvrez la porte au delà de cette position d'arrêt, elle restera ouverte afin de vous permettre de ranger et de prendre vos aliments plus facilement. Lorsque la porte est partiellement ouverte, elle se ferme automatiquement.

L'impression de résistance que vous ressentez à la position d'arrêt diminue lorsque des aliments sont rangés dans la porte.



Pour enlever la grille de la base, ouvrez les portes, enlevez la vis de chaque extrémité de la grille, puis tirez sur la grille.

### Alignement des portes

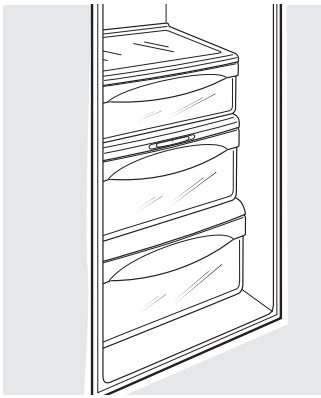
Si les portes ne soient pas alignées, réglez la porte du compartiment réfrigérateur.

- 1 À l'aide d'une clé à douille de 7/16 po, tournez la vis de réglage de la porte vers la droite pour relever la porte, ou vers la gauche pour l'abaisser. (Une douille de nylon, encastrée dans les filets de l'axe, empêchera celui-ci de tourner si l'on ne se sert pas d'une clé.)

- 2 Après avoir tourné la clé une ou deux fois, ouvrez et fermez la porte du compartiment réfrigérateur et vérifiez l'alignement des portes à la partie supérieure.

# Les tiroirs de rangement.

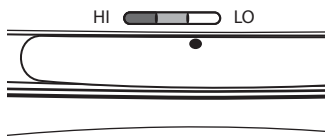
Toutes les options ne sont pas disponibles sur tous les modèles.



## Bacs à fruits et légumes

Essuyez l'eau qui peut s'accumuler dans le fond des bacs.

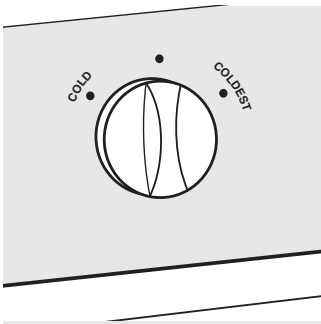
Sur certains modèles, le bac inférieur est un tiroir à extension complète pour permettre un accès aux aliments sur toute la profondeur du



## Bacs à légumes à humidité réglable

Faites coulisser la commande jusqu'à la position HI (Élevée) pour obtenir une humidité élevée recommandée pour la majorité des légumes.

Faites coulisser la commande jusqu'à la position LO (Faible) pour obtenir un taux d'humidité faible recommandé pour la majorité des fruits.



## Bac à charcuterie convertible (sur certains modèles)

Le bac à charcuterie convertible est équipé de son propre conduit d'air froid pour permettre un flux d'air froid du compartiment de réfrigération ou de congélation vers le bac à charcuterie.

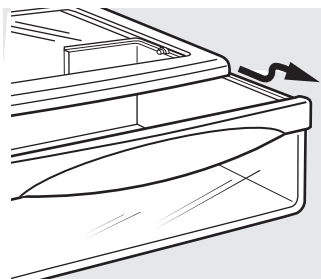
Le réglage de température variable permet de réguler le flux d'air du Climate Keeper.

Réglez la température sur la température la plus basse pour le stockage des viandes fraîches.

Réglez la commande sur froid pour ramener le bac à la température de réfrigération normale et permettre un espace de stockage supplémentaire pour les légumes. Le conduit d'air froid est désactivé. Différents réglages entre ces deux températures peuvent être sélectionnés.

# Retrait du bac à légumes.

Toutes les options ne sont pas disponibles sur tous les modèles.



## Retrait du bac à légumes

Le bac à légumes peut être facilement retiré en le tirant vers vous et en le soulevant par-dessus la butée.

Si la porte vous empêche de retirer les tiroirs, essayez d'abord de retirer les bacs de porte. Si cela ne vous donne pas un dégagement suffisant, il sera nécessaire de tirer le réfrigérateur pour que la porte puisse être suffisamment ouverte pour retirer les tiroirs. Dans certains cas, lorsque vous sortez faites rouler le réfrigérateur en le tirant vers vous, il sera nécessaire de le déplacer vers la droite ou vers la gauche.

# Machine à glaçons automatique.

Il faut prévoir entre 12 et 24 heures avant qu'un réfrigérateur nouvellement installé commence à produire des glaçons.

## Machine à glaçons automatique

The icemaker will produce seven cubes per cycle—approximately 100–130 cubes in a 24-hour period, depending on freezer compartment temperature, room temperature, number of door openings and other use conditions.

If the refrigerator is operated before the water connection is made to the icemaker, set the power switch in the **OFF** position.

When the refrigerator has been connected to the water supply, set the power switch to the **ON** position.

The icemaker will fill with water when it cools to 15°F (–10°C). A newly installed refrigerator may take 12 to 24 hours to begin making ice cubes.

You will hear a buzzing sound each time the icemaker fills with water.

Throw away the first few batches of ice to allow the water line to clear.

Be sure nothing interferes with the sweep of the feeler arm.

When the bin fills to the level of the feeler arm, the icemaker will stop producing ice. It is normal for several cubes to be joined together.

If ice is not used frequently, old ice cubes will become cloudy, taste stale and shrink.

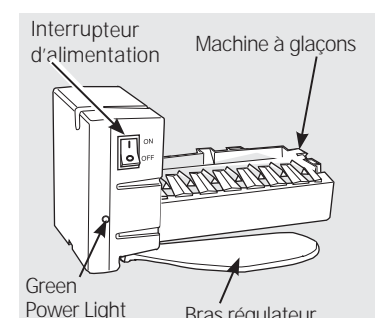
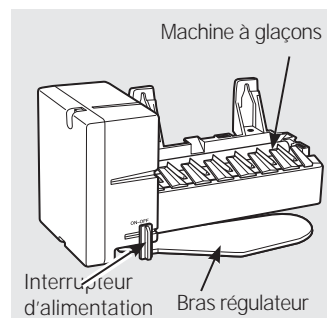
### Remarque particulière au sujet des modèles avec distributeur :

■ Les modèles avec distributeur sont munis d'un tiroir à glace basculant. Le tiroir peut basculer comme indiqué sur les illustrations, et il se maintiendra en position élevée lorsque vous prendrez de la glace ou mettez l'interrupteur de la machine à glaçons en position Marche ou Arrêt. Assurez-vous de remettre le tiroir en place avant de fermer la porte.

■ Pour restaurer votre niveau de glaçons lorsque le seau est vide, nous recommandons de suivre les étapes suivantes :

- 1 12 heures après la première chute de glaçons dans le tiroir, distribuez 3 à 4 cubes.
- 2 Après une autre période de 6 heures, distribuez 3 à 4 cubes de nouveau.

Cette procédure restaurera votre niveau de glaçons dans la plus brève période possible.



### REMARQUE:

Dans les maisons où la pression de l'eau est plus faible que la normale, vous entendrez la machine à glaçon se remettre en marche à plusieurs reprises pour fabriquer un lot de glaçons.



## Accès à la glace et à l'interrupteur sur les modèles avec distributeur

Il existe deux types de tiroirs à glace sur les modèles avec distributeur. Un type est doté d'une clayette au-dessus du tiroir, l'autre type n'en a pas.

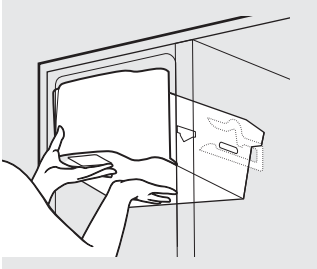
**Remarque particulière au sujet des modèles avec distributeur sans clayette au-dessus du tiroir à glace :**

■ Ces modèles sont munis d'un tiroir à glace basculant. Le tiroir peut basculer comme indiqué sur les illustrations, et il se maintiendra en position élevée lorsque vous prendrez de la glace ou mettrez l'interrupteur de la machine à glaçons en position Marche ou Arrêt. Assurez-vous de remettre le tiroir en place avant de fermer la porte.

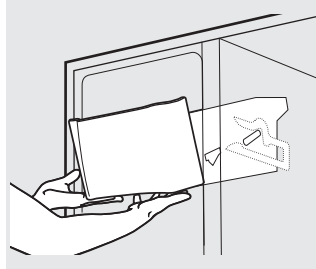
**REMARQUE:** Pour restaurer votre niveau de glaçons lorsque le seau est vide, nous recommandons de suivre les étapes suivantes.

**Modèles sans clayette au-dessus du tiroir à glace**

Pour accéder à la glace ou l'interrupteur :

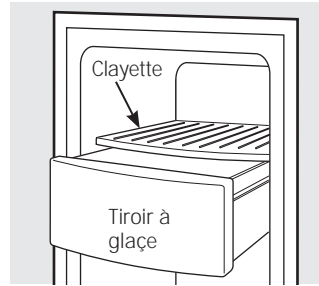


1 Soulevez le tiroir, puis tirez vers l'avant jusqu'à son arrêt.

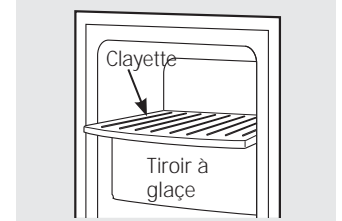


2 Abaissez le tiroir pour avoir accès aux glaçons ou pour atteindre le commutateur de marche.

## Modèles avec clayette au-dessus du tiroir à glace

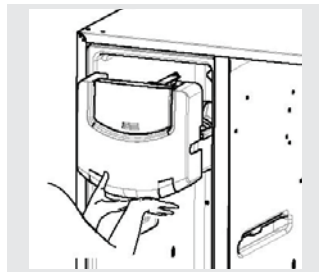


Pour avoir accès à la glace, tirez sur le tiroir en avant.

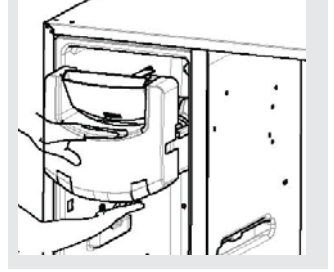


Pour atteindre l'interrupteur, tirez sur la clayette en ligne droite. Assurez-vous de toujours remettre la clayette en place.

**Dans le cas des modèles avec distributeur, pour atteindre la glace ou l'interrupteur :**



1 Soulevez le tiroir, puis tirez vers l'avant jusqu'à son arrêt.



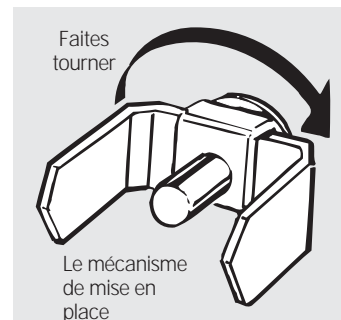
2 Abaissez le tiroir pour avoir accès aux glaçons ou pour atteindre le commutateur de marche.

## Enlèvement du tiroir à glace (modèles avec distributeur)

**MISE EN GARDE :** la glace pèse lourd quand le tiroir est plein.

Réglez le bouton de réglage en position **OFF (arrêt)** avant d'enlever le tiroir.

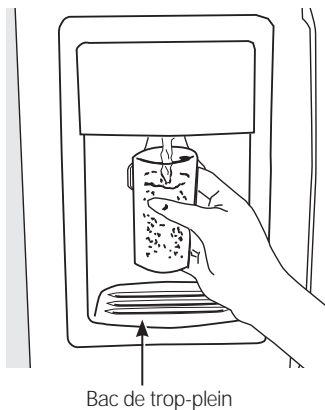
**Quand vous remettez le tiroir,** assurez-vous de le presser fermement en place. S'il ne va pas jusqu'au fond, enlevez-le et faites tourner le mécanisme de mise en place d'1/4 de tour. Repoussez alors le tiroir en place à nouveau.



Modèles avec distributeur seulement



## Le distributeur d'eau et de glaçons. (sur certains modèles)



Bac de trop-plein

### Pour utiliser le distributeur

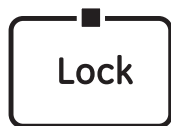
Sélectionnez **CUBED ICE** (glaçons), **CRUSHED ICE** (glace concassée) ou **WATER** (eau). Appuyez doucement le verre contre le haut du bras de distribution.

La clayette de trop-plein n'est pas munie d'un système d'écoulement. Pour réduire les taches d'eau, vous devez nettoyer régulièrement la clayette et sa grille.

S'il n'y a pas d'eau distribuée lorsque le réfrigérateur est initialement installé, il y a peut-être de l'air dans la conduite d'eau. Appuyez sur la commande de distribution pendant deux minutes au minimum pour expulser l'air de la conduite d'eau et remplir le réservoir d'eau. Afin d'éliminer les éventuelles impuretés provenant de la conduite d'eau, jetez les six premiers verres d'eau.

**ATTENTION:** Ne mettez jamais les doigts ou d'autres objets dans l'ouverture du distributeur.

### Verrouillage du distributeur

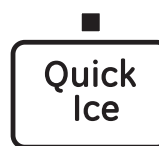


Appuyez sur la touche **LOCK** (verrouillage) pendant 3 secondes pour verrouiller le distributeur et le panneau de réglage. Pour déverrouiller, appuyez sur la touche et tenez-la enfoncée pendant encore 3 secondes.



### Lumière du distributeur

Cette touche allume et éteint la lumière du distributeur. Vous allumez également la lumière en appuyant sur le bras de distribution. Si cette ampoule brûle, vous devez la remplacer par une ampoule d'au maximum 6 watts 12V.



### Glace rapide (sur certains modèles)

Si vous avez besoin de glace rapidement, appuyez sur cette touche pour accélérer la production de glace. Cela augmente la production de glace pendant les 48 heures suivantes ou jusqu'à ce que vous appuyez à nouveau sur cette touche.

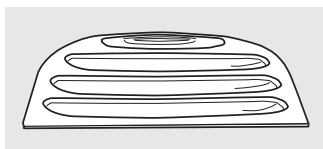


### Door Alarm (sur certains modèles)

Pour mettre en marche le signal sonore, appuyez sur cette touche pour allumer l'indicateur lumineux. Ce signal sonne si l'une des portes reste ouverte plus de 3 minutes. La lumière s'éteint et le signal sonore s'arrête quand vous fermez la porte.

### Renseignements importants concernant votre distributeur

- N'ajoutez pas dans le bac à glaçons des glaçons non fabriqués par votre machine à glaçons. Ils risquent d'être difficiles à concasser ou à distribuer.
- Évitez de trop remplir les verres de glaçons et d'utiliser des verres étroits ou très hauts. Le conduit peut se bloquer et le volet peut geler et coincer. S'il y a des glaçons qui bloquent le conduit, faites-les passer au moyen d'une cuillère en bois.
- Ne placez pas de boissons ou d'aliments dans le bac à glaçons pour les rafraîchir. Les boîtes, bouteilles et paquets alimentaires peuvent coincer la machine à glaçons ou la vis sans fin.
- Afin que la glace distribuée ne puisse manquer le verre, placez le verre à proximité mais sans toucher l'ouverture du distributeur.
- Même si vous avez sélectionné **CUBED ICE** (glaçons), il est possible que de la glace concassée tombe dans votre verre. Cela se produit de temps à autre lorsque plusieurs glaçons sont acheminés vers le broyeur.
- Après distribution de la glace concassée, de l'eau peut s'écouler du conduit.
- Parfois, un peu de givre se forme sur le volet du conduit à glace. Ce phénomène est normal et se produit en général après des distributions répétées de glace concassée. Le givre va éventuellement évaporer.



Zone de ramasse-gouttes du distributeur.

## Nettoyage de l'extérieur

**La zone de trop-plein du distributeur**, sous la grille, doit être soigneusement essuyée. L'eau laissée dans cette zone peut laisser des marques. Éliminez ces dépôts en ajoutant du vinaigre non dilué au conteneur. Laissez tremper jusqu'à ce que les dépôts disparaissent ou soient suffisamment lâches pour être éliminés par rinçage.

**Bras du distributeur** Avant le nettoyage, verrouillez le distributeur en appuyant sur la touche LOCK (verrouillage) pendant 3 secondes. Nettoyez à l'aide d'une solution d'eau tiède et de bicarbonate de soude — environ une cuillère à soupe (15 ml) de bicarbonate de soude dans un litre d'eau. Rincez bien et essuyez.

**Poignées et garniture de porte.** Nettoyez-les à l'aide d'un chiffon humecté d'eau savonneuse. Séchez avec un chiffon doux.

**Les panneaux et les poignées de porte en acier inox** (sur certains modèles) peuvent être nettoyés avec un nettoyant spécialement formulé pour l'acier inoxydable. Les meilleurs résultats sont obtenus à l'aide d'un nettoyant pour acier inoxydable à vaporiser.

N'utilisez pas de cire pour les meubles sur les surfaces en acier inox.

**Maintenez l'extérieur du réfrigérateur propre.** Essuyez-le avec un chiffon propre légèrement humecté de cire pour appareils électroménagers ou d'un détergent liquide doux pour la vaisselle. Séchez et faites briller avec un chiffon doux et propre.

*N'essuyez pas le réfrigérateur avec un chiffon à vaisselle ou un torchon humide sale. Ils pourraient laisser un résidu qui endommagerait la peinture. N'utilisez pas de tampons à récurer, de produits nettoyants en poudre, de javellisant ou de produits contenant du javellisant sous peine de rayer la peinture et de la rendre moins résistante.*

## Nettoyage de l'intérieur

**Pour éviter les mauvaises odeurs**, laissez une boîte ouverte de bicarbonate de soude dans les compartiments réfrigérateur et congélateur.

**Débranchez le réfrigérateur avant de le nettoyer.** S'il est trop difficile de le faire, essorez bien votre linge ou votre éponge pour enlever l'excès d'eau lorsque vous nettoyez autour des interrupteurs, des lampes ou des commandes.

Utilisez une solution d'eau tiède et de bicarbonate de soude— environ une cuillère à soupe (15 ml) de bicarbonate de soude dans un litre d'eau afin de nettoyer tout en neutralisant les odeurs. Rincez et séchez.

**L'utilisation de solutions nettoyantes autres que celles recommandées, plus particulièrement celles contenant des distillats de pétrole, peut fissurer ou endommager l'intérieur du réfrigérateur.**

*Évitez de nettoyer les clayettes en verre encore froides avec de l'eau chaude parce qu'elles risquent de se casser à cause des différences de températures extrêmes. Manipulez les clayettes en verre avec soin. Si vous cognez le verre trempé, il pourrait se briser.*

*Ne lavez aucune pièce en plastique du réfrigérateur dans le lave-vaisselle.*

*Le plateau chill/thaw (refroidissement/décongélation) peut aller au lave-vaisselle.*

## Entretien et nettoyage du réfrigérateur. (cont.)

### Derrière le réfrigérateur

Prenez un soin particulier lorsque vous éloignez le réfrigérateur du mur. Tous les types de revêtements de sol peuvent être endommagés, particulièrement ceux qui sont coussinés ou dont la surface est gaufrée.

Tirez le réfrigérateur en ligne droite et, lorsque vous le remettez en place, poussez-le vers le mur en ligne droite.

Les déplacements latéraux du réfrigérateur pourraient endommager le revêtement de sol ou le réfrigérateur.

Lorsque vous remettez le réfrigérateur en place en le poussant, veillez à ne pas le faire rouler sur le cordon d'alimentation ou sur la conduite d'eau de la machine à glaçons.

### Départ en vacances

Lorsque vous vous absentez pendant une période prolongée, videz et débranchez le réfrigérateur. Nettoyez l'intérieur avec une solution d'eau et de bicarbonate de soude, à raison d'une cuillère à soupe (15 ml) de bicarbonate par pinte (1 litre) d'eau. Laissez les portes ouvertes.

Mettez l'intercepteur d'alimentation de la

machine à glaçons à la position *OFF* (arrêt) et fermez l'alimentation d'eau au réfrigérateur.

Si la température risque de descendre sous le point de congélation, demandez à un réparateur de vidanger la conduite d'eau afin d'éviter les dégâts sérieux causés par les inondations.

### Déménagement

Immobilisez tous les éléments amovibles, tels que les clayettes et les bacs, à l'aide de ruban gommé pour éviter de les endommager.

Si vous utilisez un charriot pour déménager le réfrigérateur, ne laissez jamais le devant ou le derrière du réfrigérateur reposer contre le charriot. Cela pourrait endommager le

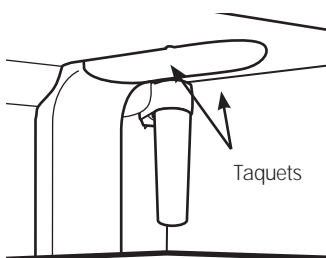
réfrigérateur. Ne transportez le réfrigérateur que par les côtés.

Assurez-vous que le réfrigérateur demeure debout pendant son déménagement.

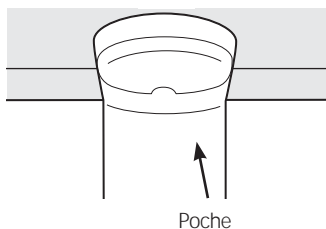
## Remplacement des ampoules. (sur certains modèles)

**REMARQUE:** La mise en arrêt du réfrigérateur à l'aide des commandes de l'écran tactile n'entraîne pas sa mise hors tension.

Votre pare-lumière rassemblera une des suivantes :



OU

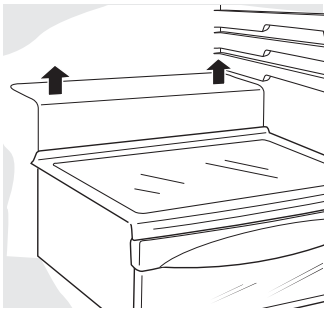


### Compartiment réfrigérateur—lampe supérieure

- 1 Débranchez le réfrigérateur.
- 2 Les ampoules se trouvent en haut du compartiment, à l'intérieur du pare-lumière. Sur certains modèles, vous devez enlever une vis qui se trouve à l'avant de l'écran. Sur autres modèles, enlever la vis dans la poche qui se trouve à l'arrière du pare-lumière.
- 3 Pour enlever le pare-lumière, sur certains modèles, appuyez sur les taquets se trouvant sur les côtés du pare-lumière et enlevez en faisant glisser vers l'avant. Sur d'autres modèles, faites simplement glisser le pare-lumière vers l'avant et faites sortir.
- 4 Après avoir remplacé l'ampoule avec une ampoule neuve pour appareil électrique de capacité égale ou inférieure, remettez en place la vis et le logement d'ampoule. Pour remettre le pare-lumière, assurez-vous que les taquets qui se trouvent à l'arrière du pare-lumière aillent dans les trous qui se trouvent à l'arrière du boîtier.
- 5 Rebranchez le réfrigérateur.

## Remplacement des ampoules.

www.electromenagersge.ca

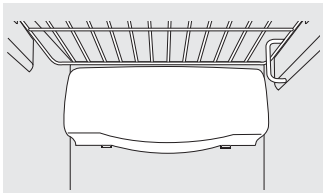


### Compartiment réfrigérateur—lampe inférieure

Cette lumière se trouve au dessus du tiroir d'en haut.

- 1 Débranchez le réfrigérateur.
- 2 Soulevez le pare-lumière et enlevez-le en tirant.

- 3 Après avoir remplacé l'ampoule par une ampoule d'appareil électro-ménager de même puissance ou de puissance inférieure, remettez le pare-lumière.
- 4 Rebranchez le réfrigérateur.



### Compartiment congélateur

- 1 Débranchez le réfrigérateur.
- 2 Enlevez la clayette qui se trouve juste au dessus du pare-lumière (vous pouvez enlever cette clayette plus facilement après l'avoir vidée). Retirez la vis se trouvant à la partie supérieure du logement d'ampoule.
- 3 Pour enlever le pare-lumière, appuyez sur les côtés et enlevez en soulevant.

- 4 Remplacez l'ampoule par une ampoule d'appareil électro-ménager de même puissance ou de puissance inférieure, puis remontez le pare-lumière. Pour remonter le pare-lumière, assurez-vous que les taquets du haut soient solidement fixés en place. Remettez la vis (sur certains modèles).
- 5 Remontez la clayette et rebranchez le réfrigérateur.

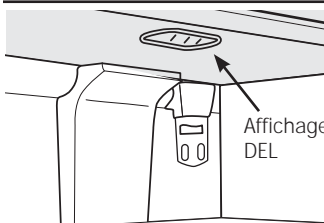
### Distributeur (sur certains modèles)

- 1 Débranchez le réfrigérateur.
- 2 L'ampoule se trouve sur le distributeur sous le panneau de réglage. Enlevez l'ampoule en la faisant tourner dans le sens opposé à celui des aiguilles d'une montre.

- 3 Remplacez l'ampoule par une ampoule de même taille et de même puissance.
- 4 Rebranchez le réfrigérateur.

## Remplacement des ampoules.

Lorsque vous réglez les commandes sur **OFF** (Arrêt), l'alimentation électrique de l'ampoule n'est pas coupée. Toutes les caractéristiques ne sont pas disponibles sur tous les modèles.



### Compartiment réfrigérateur (modèles ACL seulement)

Un affichage DEL apparaît dans le haut du compartiment réfrigérateur sur les modèles ACL. Si cet ensemble doit être remplacé, communiquez avec le Service GE au 1.800.432.2737 aux États-Unis ou 1.800.561.3344 au Canada.

# Instructions d'installation

# Réfrigérateur

Modèles 22, 23, 25, 26, 27 & 29

Des Questions ? Appelez 800.GE.CARES (800.432.2737) ou consultez notre site internet : [GEAppliances.com](http://GEAppliances.com)  
Au Canada, appelez le 1.800.561.3344 ou consultez notre site internet : [www.geappliances.ca](http://www.geappliances.ca)

## AVANT DE COMMENCER

Lisez ces instructions entièrement et attentivement.

- **IMPORTANT** – Conservez ces instructions pour l'inspecteur électrique local.
- **IMPORTANT** – Respectez tous les codes et règlements en vigueur.
- Remarque pour l'installateur – Assurez-vous de remettre ces instructions à l'utilisateur.
- Remarque pour l'utilisateur – Conservez ces instructions pour toute référence future.
- Niveau de compétence – L'installation de cet appareil nécessite des connaissances de base en mécanique.
- Délai d'exécution – Installation du réfrigérateur, 30 minutes.  
Installation de la conduite d'eau 30 minutes
- L'installateur est responsable de l'installation correcte de l'appareil.
- La panne de l'appareil due à une mauvaise installation n'est pas couverte par la garantie.

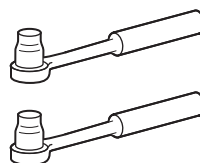
Si le réfrigérateur a déjà été installé, enlevez la grille de base (voir l'étape 2 de la section *Déménagement du réfrigérateur*), puis sautez à l'étape 5 de la section *Installation du réfrigérateur*.

## PREPARATION

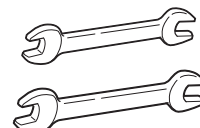
### ALIMENTATION D'EAU DE LA MACHINE À GLAÇONS

Si le réfrigérateur est équipé d'une machine à glaçons, il devra être branché à une alimentation d'eau. Vous pouvez vous procurer une trousse GE de branchement à l'alimentation d'eau (contenant tuyau, robinet, raccords et instructions) auprès de votre fournisseur, en consultant notre site internet [GEAppliances.com](http://GEAppliances.com) (au Canada par le site [geappliances.ca](http://geappliances.ca)), ou au Centre de Pièces Détachées et d'Accessoires, au 800.626.2002 (au Canada, 1.800.661.1616).

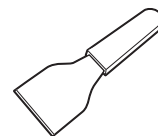
## OUTILLAGE NÉCESSAIRE



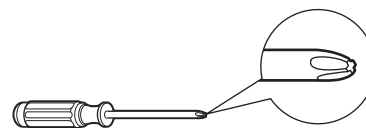
Cliquet de 3/8 po et de 5/16 po



Clés plates d'1/2 po et de 7/16 po



Couteau à mastiquer en plastique



Tournevis cruciforme (Phillips)

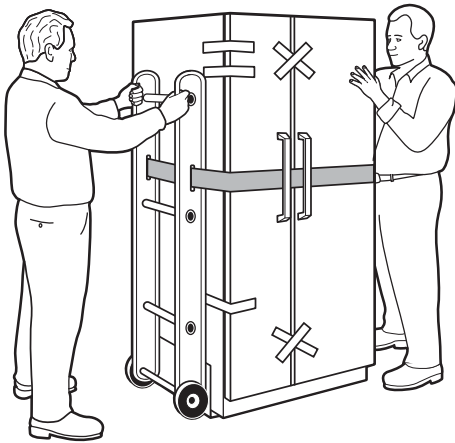
# Instructions d'installation

## DÉMÉNAGEMENT DU RÉFRIGÉRATEUR

### 1 CHARGEMENT DU RÉFRIGÉRATEUR SUR UN CHARIOT MANUEL

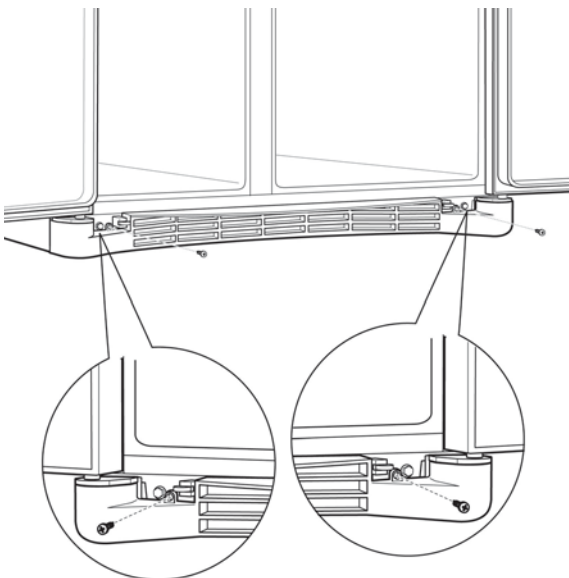
Laissez le ruban et les protecteurs sur les portes jusqu'à ce que le réfrigérateur arrive à destination.

Pour transporter le réfrigérateur, utilisez un chariot manuel rembourré. Centrez le réfrigérateur sur le chariot et entourez-le d'une courroie. **NE SERREZ PAS LA COURROIE EXCESSIVEMENT.**



### 2 ENLEVEZ LA GRILLE DE BASE

Enlevez la grille en retirant les deux vis à tête cruciforme.



Si le réfrigérateur doit passer par une ouverture de moins de 38 po de largeur, ses portes doivent être enlevées. Passez à l'étape 3.

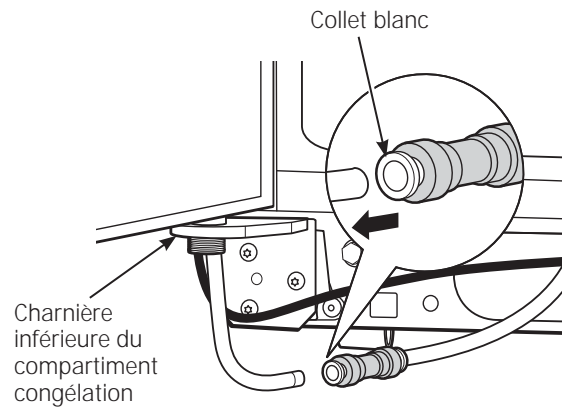
**N'ENLEVEZ PAS les poignées.**

Si toutes les ouvertures ont plus de 38 po de largeur, sautez à la section *Installation du réfrigérateur.*

### 3 DÉBRANCHEZ LE RACCORD D'ALIMENTATION D'EAU (sur certains modèles)

Si le compartiment réfrigération est doté d'un rafraîchisseur d'eau, alors il faut débrancher la conduite d'eau qui part de la carrosserie et s'insère dans la charnière inférieure de la porte du compartiment congélation.

Pour débrancher, poussez sur le collet blanc du raccord puis tirez sur le tube.



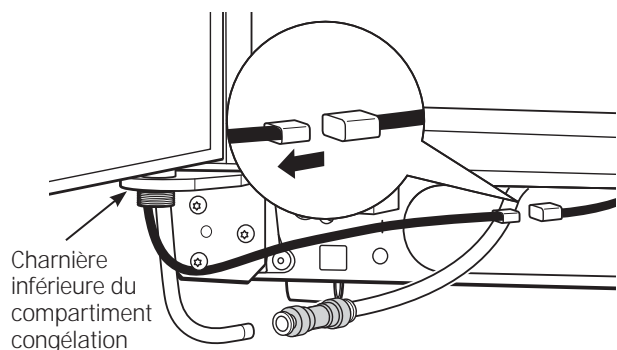


## DÉMÉNAGEMENT DU RÉFRIGÉRATEUR (SUITE)

### 4 DÉBRANCHEZ LE RACCORD D'ALIMENTATION ÉLECTRIQUE (sur certains modèles)

Si le compartiment réfrigération est doté d'un rafraîchisseur d'eau, alors il faut débrancher la conduite électrique (faisceau) qui part de la carrosserie et s'insère dans la charnière inférieure de la porte du compartiment congélation.

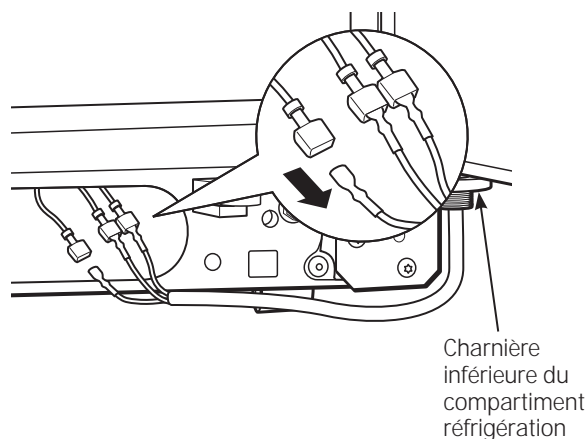
Pour débrancher, tirez de chaque côté du raccord.



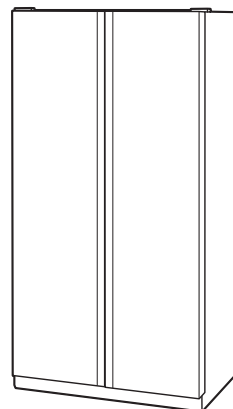
### 5 DÉBRANCHEZ LES CONNECTEURS ÉLECTRIQUES (sur certains modèles)

Si le compartiment réfrigération est doté d'un centre de rafraîchissement, alors il faut débrancher les connecteurs électriques (faisceaux) qui partent de la carrosserie et s'insèrent dans la charnière inférieure du compartiment réfrigération.

Pour débrancher, tirez de chaque côté des connecteurs.

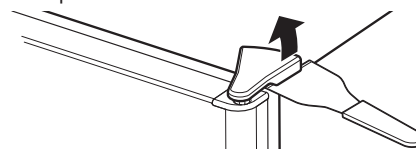


### 6 FERMEZ LES PORTES DES COMPARTIMENTS CONGÉLATION ET RÉFRIGÉRATION



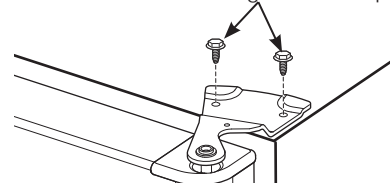
### 7 ENLEVEZ LA PORTE DU COMPARTIMENT CONGÉLATION

- A Enlevez le couvercle de la charnière supérieure de la porte du compartiment congélation, soit en le pressant et le tirant vers le haut, soit en le dégageant à l'aide d'un couteau à mastiquer en plastique.

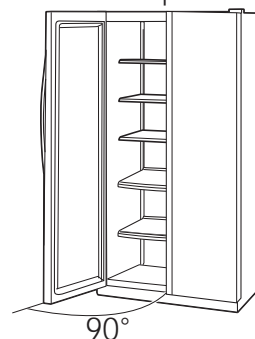


- B Enlevez les deux vis à tête hexagonale 5/16 po, puis soulevez la charnière en ligne droite pour dégager l'axe de charnière.

Tête hexagonale 5/16 po



- C Ouvrez la porte du compartiment congélation à 90°

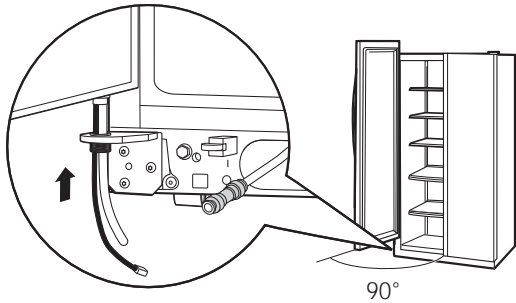




# Instructions d'installation

## 7 ENLEVEZ LA PORTE DU COMPARTIMENT CONGÉLATION (suite)

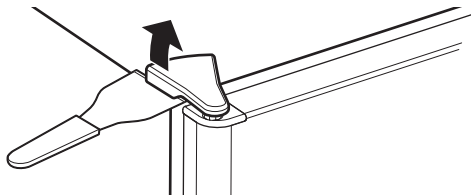
- D Pendant qu'une personne soulève lentement la porte du compartiment congélation pour la dégager de la charnière inférieure, une deuxième personne doit minutieusement guider la conduite d'eau et la conduite électrique (faisceau) à travers la charnière inférieure.



- E Placez la porte sur une surface lisse pour la protéger des égratignures, l'intérieur vers le haut.

## 8 ENLEVEZ LA PORTE DU COMPARTIMENT RÉFRIGÉRATION

- A Enlevez le couvercle de la charnière supérieure de la porte du compartiment réfrigération, soit en le pressant et le tirant vers le haut, soit en le dégageant à l'aide d'un couteau à mastiquer en plastique.

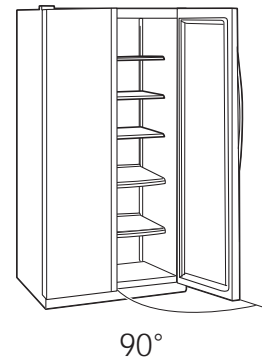


## 8 ENLEVEZ LA PORTE DU COMPARTIMENT RÉFRIGÉRATION (suite)

- B Enlevez les deux vis à tête hexagonale 5/16 po, puis soulevez la charnière en ligne droite pour dégager l'axe de charnière.



- C Ouvrez la porte du compartiment réfrigération à 90°.



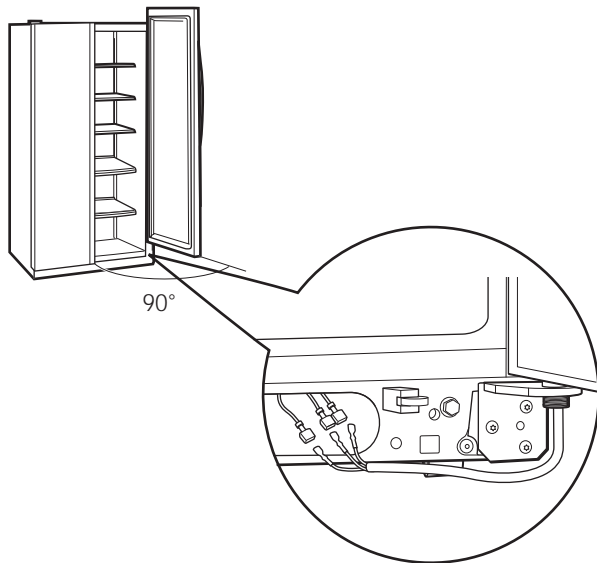
# Instructions d'installation

## DÉMÉNAGEMENT DU RÉFRIGÉRATEUR (SUITE)

### 8 ENLEVEZ LA PORTE DU COMPARTIMENT RÉFRIGÉRATION (suite)

- D** Soulevez la porte du compartiment réfrigération pour la dégager de la charnière inférieure.

Si le compartiment réfrigération est doté d'un centre de rafraîchissement, une personne doit soulever lentement la porte pour la dégager de la charnière inférieure, pendant qu'une deuxième personne guide minutieusement les conduites électriques (faisceaux) à travers la charnière inférieure.



Modèles dotés d'un centre de rafraîchissement seulement

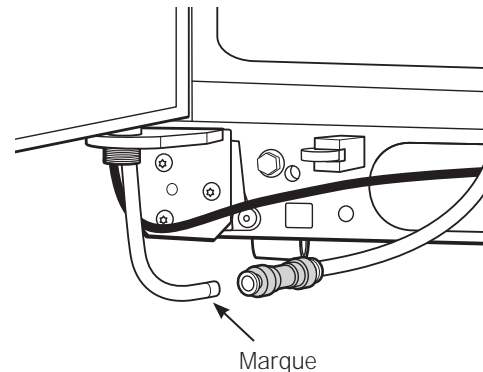
- E** Placez la porte sur une surface lisse pour la protéger des égratignures, l'intérieur vers le haut.

### 9 REMISE EN PLACE DES PORTES

Pour replacer les portes, inversez simplement les étapes 3 à 8.

*Veillez cependant noter les points suivants :*

- Au moment d'abaisser les portes sur les charnières inférieures, une deuxième personne doit guider minutieusement le tube et les faisceaux électriques à travers les ouvertures des charnières.
- Lorsque vous branchez la conduite d'eau, assurez-vous d'insérer le tube jusqu'à la marque.



- Ne pincez pas le tube et les faisceaux électriques lorsque vous placez les portes sur les charnières inférieures.
- Lorsque vous branchez la ou les conduites électriques (plusieurs conduites seulement sur les modèles dotés d'un centre de rafraîchissement), assurez-vous que les connecteurs sont complètement imbriqués.

# Instructions d'installation

## INSTALLATION DU RÉFRIGÉRATEUR

### EMPLACEMENT DU RÉFRIGÉRATEUR

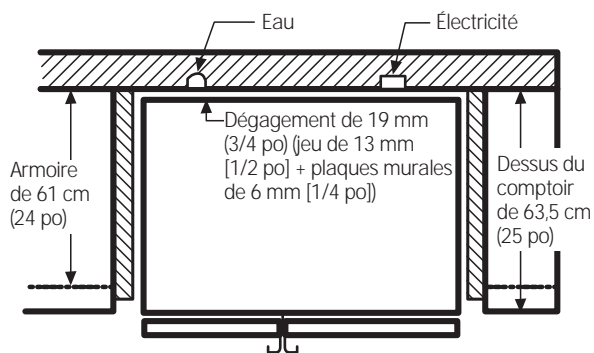
- N'installez jamais votre réfrigérateur dans un emplacement où la température ambiante sera inférieure à 16° C (60° F). Il ne se mettra pas en marche suffisamment souvent pour maintenir des températures convenables.
- N'installez jamais votre réfrigérateur dans un emplacement où la température ambiante sera supérieure à 37° C (100° F). Il ne fonctionnera pas bien.
- Installez votre réfrigérateur sur un plancher suffisamment solide pour le porter lorsqu'il est plein.

### DÉGAGEMENTS

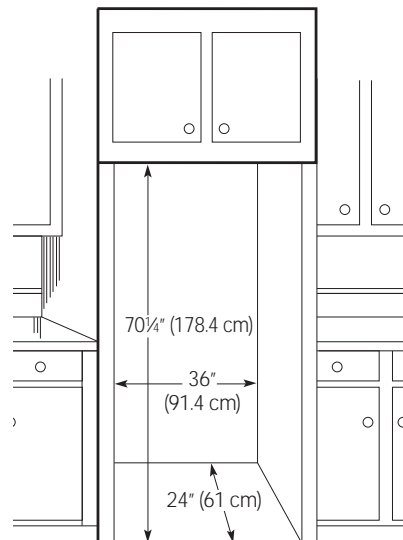
Prévoyez les dégagements suivants pour faciliter l'installation, la bonne circulation d'air et les raccordements de plomberie et d'électricité :

	CustomStyle™ de 23'/25'	23' (33 po de largeur), 25', 26', 27' et 29'
Côtés	4 mm (1/8 po)	4 mm (1/8 po)
Dessus	25 mm (1 po)	25 mm (1 po)
Arrière	13 mm (1/2 po)	25 mm (1 po)

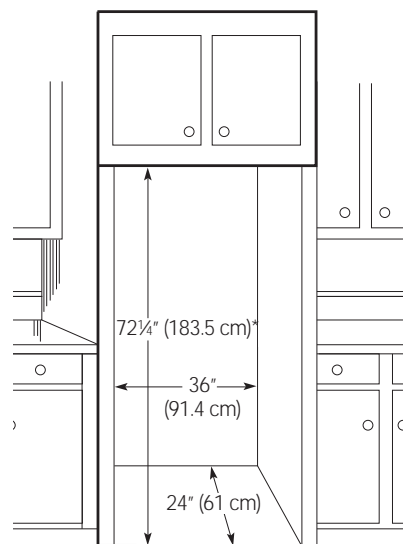
### DIMENSIONS ET SPÉCIFICATIONS



### DIMENSIONS ET SPÉCIFICATIONS (pour les modèles « CustomStyle™ » de 23')



### DIMENSIONS ET SPÉCIFICATIONS (pour les modèles « CustomStyle™ » de 25')



\*183,5 cm (72-1/4 po) sont nécessaires pour bien régler les roues de mobilité. Si les armoires placées sur le réfrigérateur ont des portes qui sont alignées au sommet de l'ouverture du réfrigérateur, vous pouvez avoir besoin de 1/8 po d'espace libre supplémentaire pour permettre une bonne ouverture des portes de l'armoire.

# Instructions d'installation

## INSTALLATION DU RÉFRIGÉRATEUR (SUITE)

### 1 BRANCHEMENT DU RÉFRIGÉRATEUR À LA CONDUITE D'EAU DE LA MAISON (modèles avec machine à glaçons et distributeur)

Une alimentation d'eau froide est requise pour faire fonctionner la machine à glaçons et le distributeur. Vous devrez en fournir une si elle n'existe pas. Voir la section *Installation de la conduite d'eau*.

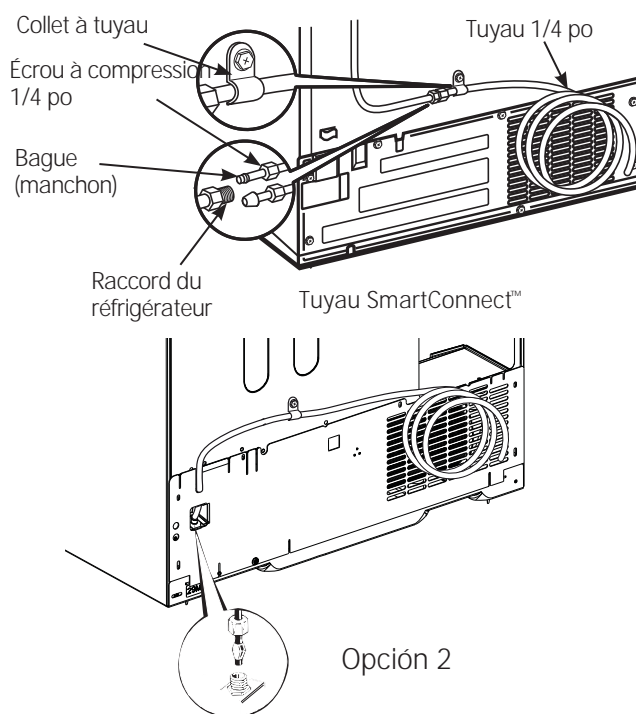
#### NOTES:

- Avant de brancher la conduite au réfrigérateur, assurez-vous que le cordon d'alimentation électrique n'est pas branché à la prise murale.
- Si votre réfrigérateur n'est pas équipé de filtre à eau, nous recommandons d'en monter un si votre alimentation d'eau contient du sable ou des particules qui peuvent boucher la grille du robinet d'eau du réfrigérateur. Installez-le sur la conduite d'eau près du réfrigérateur. Si vous utilisez une trousse GE SmartConnect™ Refrigerator Tubing, vous aurez besoin d'un tuyau additionnel (WX08X10002) pour brancher le filtre. Ne coupez pas le tuyau de plastique pour installer le filtre.

- A** Si vous utilisez un tuyau de cuivre, placez un écrou de compression et une bague (manchon) à l'extrémité du tuyau qui vient de l'alimentation d'eau froide de la maison. Si vous utilisez un tuyau GE SmartConnect™, les écrous sont déjà assemblés au tuyau. Si vous utilisez un tuyau de cuivre, insérez aussi loin que possible l'extrémité du tuyau dans le raccord à l'arrière du réfrigérateur. Tout en tenant le tuyau, serrez le raccord.

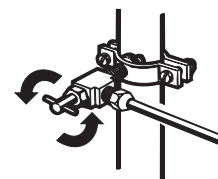
- B** Si vous utilisez un tuyau GE SmartConnect™, insérez l'extrémité moulée du tuyau dans le raccord à l'arrière du réfrigérateur, puis serrez l'écrou à compression à la main. Serrez ensuite un autre tour à l'aide d'une clé. Un serrage excessif pourrait occasionner des fuites.

- C** Fixez le tuyau dans le collet (fourni) pour le maintenir en position. Il est possible que vous deviez écarter le collet.



### 2 OUVREZ L'ALIMENTATION D'EAU

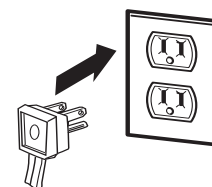
Ouvrez l'alimentation d'eau au niveau du robinet d'arrêt (l'alimentation d'eau de la maison) et vérifiez la présence de fuites.



### 3 BRANCHEZ LE CORDON DU RÉFRIGÉRATEUR DANS LA PRISE

Avant de brancher le réfrigérateur, assurez-vous que l'interrupteur de la machine à glaçons est à la position OFF (arrêt).

Lisez l'étiquette concernant la mise à la terre qui est attachée au cordon d'alimentation.



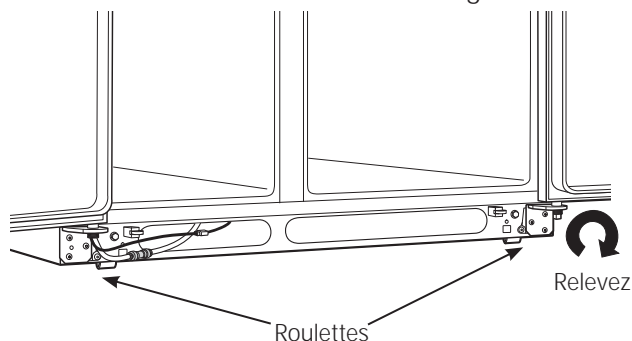
# Instructions d'installation

## 4 PLACEZ LE RÉFRIGÉRATEUR DANS SON EMBLEMMENT

Transportez le réfrigérateur jusqu'à sa destination.

## 5 METTEZ LE RÉFRIGÉRATEUR DE NIVEAU

The refrigerator can be leveled by adjusting the rollers located near the bottom hinges.



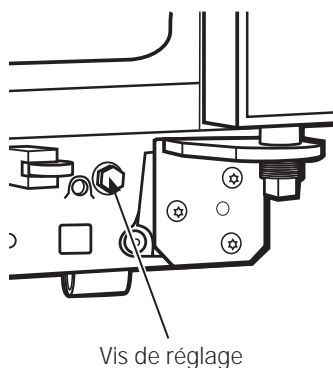
Les roulettes de nivellement jouent trois rôles :

- Elles peuvent être réglées pour que les portes se referment automatiquement lorsqu'elles sont à moitié ouvertes. (Réglez le bord inférieur avant du réfrigérateur à 16 mm [5/8 po] du sol.)
- Elles peuvent être réglées de manière à permettre à l'appareil de reposer solidement sur le sol et l'empêcher ainsi de branler.
- Elles vous permettent d'éloigner le réfrigérateur du mur pour le nettoyage.

Pour ajuster les roulettes sur les modèles de les roulettes sur les modèles 23' (33 po de largeur) 25', 26', 27' et 29' :

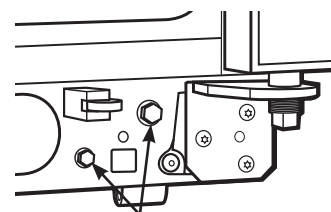
- Tournez les vis de réglage des roulettes **dans le sens des aiguilles d'une montre pour faire monter le réfrigérateur, dans le sens opposé à celui des aiguilles d'une montre pour le faire descendre.**

Utilisez une douille hexagonale ou une clé de 3/8 po, ou une clé anglaise.



## 5 METTEZ LE RÉFRIGÉRATEUR DE NIVEAU (suite)

Pour ajuster les roulettes sur les modèles CustomStyle™ de 23' / 25' :



Vis de réglage

Tournez les vis de réglage des roulettes **dans le sens des aiguilles d'une montre pour faire monter le réfrigérateur, dans le sens opposé à celui des aiguilles d'une montre pour le faire descendre.** Utilisez une clé hexagonale de 3/8 po avec extension ou une clé anglaise.

Ces modèles ont aussi des roulettes arrière réglables, pour vous permettre d'aligner le réfrigérateur aux armoires de cuisine. Utilisez une clé hexagonale de 3/8 po. avec extension pour tourner les vis pour les roulettes arrière, **dans le sens des aiguilles d'une montre pour faire monter le réfrigérateur, dans le sens opposé à celui des aiguilles d'une montre pour le faire descendre.**

## 6 ALIGNER LES PORTES

Réglez les portes du réfrigérateur pour qu'elles soient bien alignées à la partie supérieure.

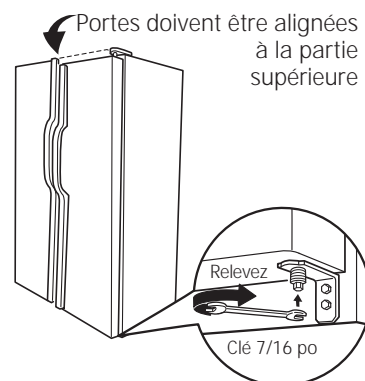
Pour aligner les portes :

- A** À l'aide d'une clé de 7/16 po, tournez la vis de réglage de la porte vers la droite pour relever la porte, ou vers la gauche pour l'abaisser.

REMARQUE :

Une douille de nylon, encastrée dans les filets de l'axe, empêchera celui-ci de tourner si l'on ne se sert pas d'une clé.

- B** Après avoir tourné la clé une ou deux fois, ouvrez et fermez la porte du réfrigérateur et vérifiez l'alignement des portes à la partie supérieure.

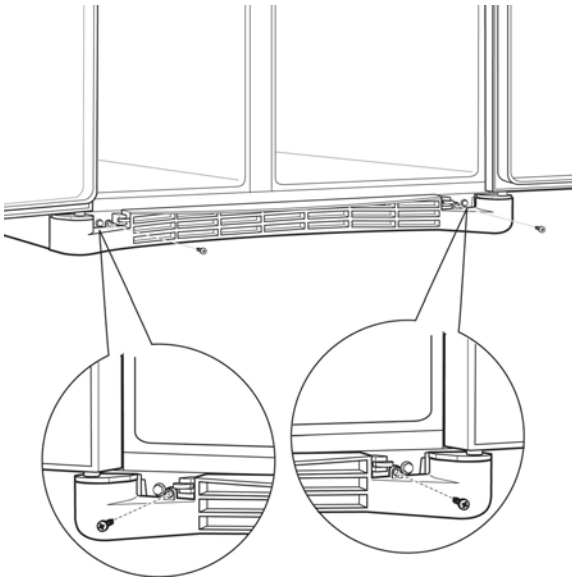


# Instructions d'installation

## INSTALLATION DU RÉFRIGÉRATEUR (SUITE)

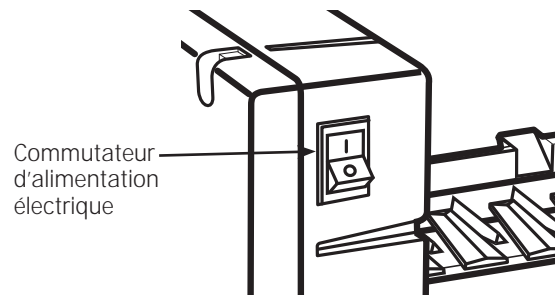
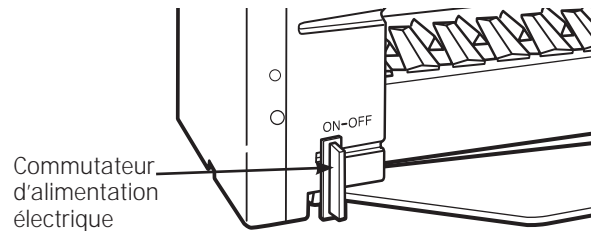
### 7 REMPLACEZ LA GRILLE DE BASE

Remplacez la grille de base en installant les deux vis à tête cruciforme (Phillips).



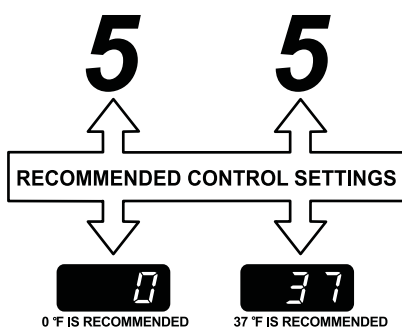
### 9 METTEZ EN MARCHÉ LA MACHINE À GLAÇONS

Mettez le commutateur de la machine à glaçons en position ON (marche). La machine à glaçons ne se met en marche que lorsqu'elle atteint une température de fonctionnement de  $-9^{\circ}\text{C}$  ( $15^{\circ}\text{F}$ ) ou moins. Elle commence immédiatement à fonctionner. Il faudra 2 à 3 jours pour remplir le bac à glaçons.



### 8 RÉGLEZ LES COMMANDES

Réglez les commandes selon les recommandations.



#### REMARQUE:

Si votre pression d'eau est trop faible, le robinet peut se remettre en marche jusqu'à trois fois pour envoyer suffisamment d'eau à la machine à glaçons.

# Instructions d'installation

## INSTALLATION DE LA CONDUITE D'EAU (SUR CERTAINS MODÈLES)

### AVANT DE COMMENCER

Nous recommandons les trousse d'alimentation d'eau en cuivre WX8X2, WX8X3, WX8X4, selon le montant de conduite dont vous avez besoin. Nous approuvons les conduites d'eau en matière plastique GE SmartConnect™ Refrigerator Tubing (WX08X10006, WX08X10015 et WX08X10025).

Si vous branchez votre réfrigérateur à un système d'eau GE Reverse Osmosis, la seule installation approuvée est celle de la trousse GE RVKit. Pour les autres systèmes d'osmose de l'eau, suivez les recommandations du fabricant.

Si le réfrigérateur est alimenté en eau à partir d'un système de filtration d'eau par osmose inversée, ET si le réfrigérateur comporte également un filtre à eau, utilisez le bouchon du circuit de dérivation du filtre du réfrigérateur. Si la cartouche de filtration d'eau du réfrigérateur est utilisée en conjonction avec le système de filtration par osmose inversée, on peut observer une réduction du débit d'eau au point de puisage, et la production de cubes de glace creux.

Cette installation de conduite d'eau n'est pas garantie par le fabricant de réfrigérateur ou de machine à glaçons. Suivez soigneusement ces instructions pour minimiser le risque de dommages onéreux d'inondation.

Les coups de bélier (eau qui donne des coups dans les tuyaux) dans la tuyauterie de la maison peuvent occasionner des dommages aux pièces de votre réfrigérateur, ainsi que des fuites ou des inondations. Appelez un plombier certifié pour corriger les coups de bélier avant d'installer la conduite d'eau de votre réfrigérateur.

Pour prévenir toute brûlure et tout dommage à votre réfrigérateur, ne branchez jamais la conduite d'eau à une canalisation d'eau chaude.

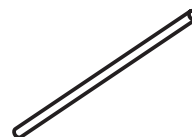
Si vous utilisez votre réfrigérateur avant de brancher la conduite d'eau, assurez-vous de laisser le commutateur de la machine à glaçons en position OFF (arrêt).

N'installez jamais les tuyaux de la machine à glaçons dans des endroits où la température risque de descendre en dessous du point de congélation.

Si vous utilisez un outil électrique (comme une perceuse électrique) pendant l'installation, assurez-vous que l'isolement ou le câblage de cet outil empêche tout danger de secousse électrique.

Vous devez procéder à toutes vos installations conformément aux exigences de votre code local de plomberie.

### CE DONT VOUS AUREZ BESOIN



- Tuyaux en cuivre ou trousse GE SmartConnect™ Refrigerator Tubing, diamètre extérieur de 1/4 po pour brancher le réfrigérateur à l'alimentation d'eau. Si vous utilisez un tuyau en cuivre, assurez-vous que les deux extrémités du tuyau soient coupées bien droit.

Pour trouver la longueur de tuyau dont vous avez besoin: mesurez la distance qui va du robinet d'eau situé derrière le réfrigérateur jusqu'au tuyau d'alimentation d'eau. Assurez-vous qu'il y ait assez de tuyau en trop pour vous permettre de décoller le réfrigérateur du mur après l'installation.

Les trousse GE SmartConnect™ Refrigerator Tubing sont disponibles dans les dimensions suivantes:

1,8 m (6 pi) – WX08X10006  
4,6 m (15 pi) – WX08X10015  
7,6 m (25 pi) – WX08X10025



# Instructions d'installation

## INSTALLATION DE LA CONDUITE D'EAU (SUITE)

### CE DONT VOUS AUREZ BESOIN (SUITE)

**REMARQUE :** Les seuls tuyaux en matière plastique approuvés par GE sont ceux qui sont fournis dans les trousse GE SmartConnect™ Refrigerator Tubing. N'utilisez jamais un autre tuyau en matière plastique, car le tuyau d'alimentation d'eau est tout le temps sous pression. Certaines catégories de tuyaux en matière plastique peuvent devenir cassants avec l'âge et peuvent se fendre, en occasionnant des dommages d'inondation dans votre maison.

- Vous pouvez acheter une trousse d'alimentation d'eau GE (contenant un tuyau en cuivre, un robinet d'arrêt et les joints énumérés ci-dessous) chez votre distributeur local ou en le commandant au service de pièces et accessoires, au 1.800.661.1616.

- **Une alimentation d'eau froide potable.** La pression de l'eau doit être entre 20 et 120 p.s.i. (1,4 et 8,1 bar).

- Une perceuse électrique.

- Une clé de 1/2 po ou une clé anglaise.

- Un tournevis à lame plate et un tournevis Phillips.

- Deux écrous à compression d'un diamètre extérieur de 1/4 po et deux bagues (manchons)—pour brancher le tuyau en cuivre au robinet d'arrêt et au robinet d'eau du réfrigérateur.

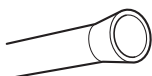
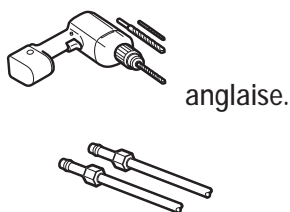
OU

- Si vous utilisez une trousse GE SmartConnect™ Refrigerator Tubing, les garnitures nécessaires sont déjà montées au tuyau.

- Si votre conduite d'eau en cuivre actuelle a un raccord évasé à une extrémité, vous aurez besoin d'un **adaptateur** (que vous trouverez dans votre magasin de matériel de plomberie) pour brancher le tuyau d'eau au réfrigérateur, **OU** vous pouvez couper le raccord évasé à l'aide d'un **coupe-tube**, puis utiliser un raccord à compression. Ne coupez jamais l'extrémité finie d'un tuyau de la trousse GE SmartConnect™ Refrigerator Tubing.

- **Un robinet d'arrêt** pour brancher le tuyau d'eau froide. Le robinet d'arrêt doit avoir une entrée d'eau avec un diamètre intérieur minimal de 5/32 po au point de jonction avec le **TUYAU D'EAU FROIDE**.

Des robinets d'arrêt à étrier sont souvent inclus dans les trousse d'alimentation d'eau. Avant d'acheter, assurez-vous que le robinet à étrier se conforme à vos codes de plomberie locaux.



Installez le robinet d'arrêt sur la canalisation d'eau potable la plus fréquemment utilisée.

### 1 FERMEZ L'ALIMENTATION PRINCIPALE D'EAU

Ouvrez le robinet le plus proche suffisamment longtemps pour purger le tuyau.

### 2 CHOISISSEZ L'EMPLACEMENT DU ROBINET

Choisissez pour le robinet un emplacement facilement accessible. Il vaut mieux le brancher de côté à un tuyau vertical. Si vous devez le brancher à un tuyau horizontal, faites le branchement en haut ou de côté, plutôt qu'en bas du tuyau, pour éviter de recevoir des sédiments du tuyau d'alimentation d'eau.

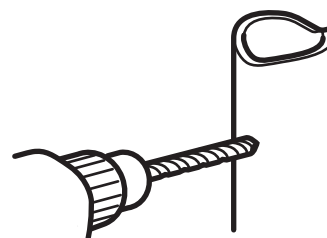


### 3 PERCEZ UN TROU POUR LE ROBINET

Percez un trou de 1/4 po dans le tuyau d'eau (même si vous utilisez un robinet autotaraudeux), à l'aide d'un foret dur. Enlevez toute barbare due au perçage du trou dans le tuyau.

Faites attention de ne pas laisser de l'eau couler dans votre perceuse électrique.

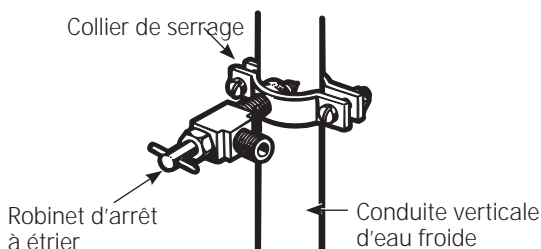
Si vous ne percez pas un trou de 1/4 po, vous obtiendrez une production de glaçons réduite ou des glaçons plus petits.



# Installation Instructions

## 4 FIXEZ LE ROBINET D'ARRÊT

Fixez le robinet d'arrêt à la conduite d'eau froide à l'aide du collier de serrage.

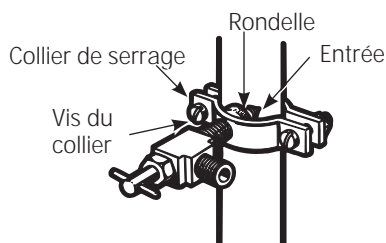


**REMARQUE :** Vous devez vous conformer aux Codes de plomberie 248CMR du Commonwealth of Massachusetts. Les robinets d'arrêt à étrier sont illégaux et leur utilisation n'est pas autorisée au Massachusetts. Consultez votre plombier local.

## 5 SERREZ LE COLLIER DE SERRAGE

Serrez les vis du collier jusqu'à ce que la rondelle d'étanchéité commence à enfler.

**REMARQUE :** Ne serrez pas trop. Vous risquez d'écraser la conduite.



## 6 ACHEMINEZ LE TUYAU

Acheminez le tuyau entre la conduite d'eau froide et le réfrigérateur.

Faites passer le tuyau par un trou percé dans le mur ou le plancher (derrière le réfrigérateur ou au niveau de l'armoire de cuisine adjacente), aussi près du mur que possible.

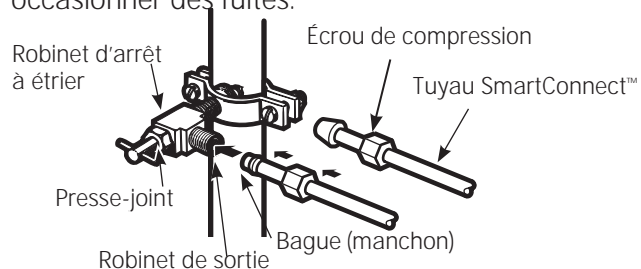
**REMARQUE:** Assurez-vous d'avoir une longueur de tuyau suffisante pour pouvoir éloigner le réfrigérateur du mur après son installation.

## 7 BRANCHEZ LE TUYAU AU ROBINET

Placez un écrou de compression et une bague (manchon) à l'extrémité du tuyau et branchez-les au robinet d'arrêt.

Assurez-vous que le tuyau soit bien inséré dans le robinet. Serrez fort l'écrou de compression.

Pour le tuyau en matière plastique d'une trousse GE SmartConnect™ Refrigerator Tubing, insérez l'extrémité moulée du tuyau dans le robinet d'arrêt et serrez l'écrou de compression à la main, puis serrez un autre demi tour avec une clé. Si vous serrez trop fort, vous pouvez occasionner des fuites.



**REMARQUE:** Vous devez vous conformer aux Codes de plomberie 248CMR du Commonwealth of Massachusetts. Les robinets d'arrêt à étrier sont illégaux et leur utilisation n'est pas autorisée au Massachusetts. Consultez votre plombier local.

## 8 PURGEZ LE TUYAU

Ouvrez le robinet d'alimentation principale d'eau et purgez le tuyau jusqu'à ce que l'eau soit claire.

Fermez l'eau au niveau du robinet d'eau après écoulement d'environ 1 litre (1 quart) d'eau par le tuyau.



Pour compléter l'installation du réfrigérateur, retournez à l'étape 1 de la section *Installation du réfrigérateur*.

# Bruits normaux de fonctionnement.



Les réfrigérateurs plus récents font des bruits différents de ceux des anciens. Les réfrigérateurs modernes présentent plus de fonctions et sont plus avancés sur le plan technologique.

*Entendez-vous ce que j'entends ? Ces bruits sont normaux.*

## HUMMM... WHOOSH...

- Le nouveau compresseur à rendement élevé peut fonctionner plus longtemps et plus vite que votre ancien réfrigérateur et vous pouvez entendre un son modulé ou un ronflement aigu pendant son fonctionnement.
- Parfois le réfrigérateur fonctionne pendant une période prolongée, surtout lorsque les portes sont ouvertes fréquemment. Cela signifie que la fonction Frost Guard™ est active pour empêcher la brûlure de congélation et améliorer la conservation des aliments.
- Vous pouvez entendre un sifflement lorsque les portes se ferment. Cela vient de l'équilibrage de pression dans le réfrigérateur.

## OUIR !



- Vous pouvez entendre les ventilateurs tourner à hautes vitesses. Cela se produit lorsque le réfrigérateur vient d'être branché, lorsque les portes sont ouvertes fréquemment ou lors de l'ajout d'une grande quantité d'aliments dans les compartiments congélateur ou réfrigérateur. Les ventilateurs permettent de maintenir les bonnes températures.
- Si une des portes est ouverte pendant plus de 3 minutes, vous pouvez entendre l'activation des ventilateurs permettant de refroidir les ampoules.
- Les ventilateurs changent de vitesses pour assurer des économies d'énergie et un refroidissement optimal.

## CLICS, CLAQUEMENTS, CRAQUEMENTS et GRÉSILLEMENTS

- Vous pouvez entendre des craquements ou des claquements lorsque le réfrigérateur est branché pour la première fois. Cela se produit lorsque le réfrigérateur se refroidit à la bonne température.
- Les registres électroniques s'ouvrent et se ferment pour assurer des économies d'énergie et un refroidissement optimal.
- Le compresseur peut causer un clic ou un grésillement lors de la tentative de redémarrage (cela peut prendre 5 minutes).
- Le tableau de commande électronique peut causer un clic lorsque les relais s'activent pour commander les composants du réfrigérateur.
- L'expansion et la contraction des serpentins de refroidissement pendant et après le dégivrage peuvent causer un craquement ou un claquement.
- Sur les modèles équipés d'une machine à glaçons, après un cycle de fabrication de glaçons, vous pouvez entendre les glaçons tomber dans le bac.

## BRUITS D'EAU



- Le passage de l'agent frigorigère dans les serpentins de refroidissement du congélateur peut être accompagné d'un gargouillement semblable à celui de l'eau en ébullition.
- L'eau tombant sur l'élément chauffant de dégivrage peut faire un bruit de grésillement, de claquement ou de bourdonnement pendant le cycle de dégivrage.
- Un bruit de suintement d'eau peut être entendu pendant le cycle de dégivrage lorsque la glace de l'évaporateur fond et tombe dans le bac de récupération.
- Fermer la porte peut causer un gargouillement en raison de l'équilibrage de pression.



Pour obtenir plus d'information sur les bruits normaux de fonctionnement de la machine à glaçons et le distributeur d'eau et de glaçons, veuillez consulter les sections Machine à glaçons automatique et Le distributeur d'eau et de glaçons.



Conseils de dépannage – Économisez du temps et de l'argent! Consultez d'abord les tableaux qui suivent et vous pourrez peut-être éviter de faire appel à un technicien.

Problème	Causes possibles	Que faire
Le réfrigérateur ne fonctionne pas	Le cycle de dégivrage est en cours.	• Attendez environ 30 minutes afin que le cycle de dégivrage se termine.
	Une des commandes ou les deux est sur la position OFF (arrêt).	• Réglez les commandes de température à une température plus basse.
	Le réfrigérateur est débranché.	• Enfoncez complètement la fiche de l'appareil dans la prise murale.
	Le fusible est grillé/le disjoncteur est déclenché.	• Remplacez le fusible ou réenclenchez le disjoncteur.
	Votre réfrigérateur est en mode de démonstration.	• Débranchez votre réfrigérateur et rebranchez-le.
Vibration ou bruit métallique (une légère vibration est normale)	Les roulettes ont besoin d'être réglées.	• Consultez la section Roulettes
	Ceci est normal lorsque le réfrigérateur vient d'être branché.	• Attendre 24 heures pour que le réfrigérateur refroidisse complètement.
	Ceci est fréquent lorsqu'une grande quantité d'aliments a été placée dans le réfrigérateur.	• C'est normal.
	La porte est restée ouverte.	• Un paquet empêche peut-être la fermeture de la porte.
	Temps chaud ou ouverture fréquente des portes.	• C'est normal.
Température trop élevée dans le congélateur ou le réfrigérateur	La température n'est pas réglée sur une température assez basse.	• Consultez la section « Commandes ».
	Temps chaud ou ouverture fréquente des portes.	• Réglez la commande des températures sur une température plus basse. Consultez la section Commandes ».
	La porte est restée ouverte.	• Un paquet empêche peut-être la fermeture de la porte.
Givre sur les aliments surgelés (il est normal que du givre se forme à l'intérieur du paquet)	La porte est restée ouverte.	• Un paquet empêche peut-être la fermeture de la porte.
	Ouverture trop fréquente ou trop longue des portes.	
La séparation entre le réfrigérateur et le congélateur est chaude	Le système automatique d'économie d'énergie fait circuler du liquide tiède à l'avant du compartiment de congélation.	• Ceci permet d'éviter des problèmes de condensation sur l'extérieur de l'appareil.
Formation lente des glaçons (sur certains modèles)	Porte laissée ouverte.	• Vérifiez qu'il n'y a pas un paquet qui empêche la porte de fermer.
	La commande de température du congélateur n'est pas réglée à une température assez froide.	• Consultez Les commandes.
Mauvais goût/odeur de l'eau (sur certains modèles)	Le distributeur d'eau n'a pas été utilisé depuis longtemps.	• Faites couler l'eau jusqu'à ce que l'eau du système soit remplacée par de l'eau fraîche.

## Avant d'appeler à un technicien...

Problème	Causes possibles	Que faire
La machine à glaçons ne fonctionne pas	L'interrupteur d'alimentation de la machine à glaçons est à la position OFF (arrêt).	<ul style="list-style-type: none"> <li>Réglez l'interrupteur d'alimentation à la position ON (marche).</li> </ul>
	L'alimentation en eau est coupée ou n'est pas raccordée.	<ul style="list-style-type: none"> <li>Consultez Installation de la conduite d'eau.</li> </ul>
	Le compartiment congélateur est trop chaud.	<ul style="list-style-type: none"> <li>Attendez 24 heures pour que la température du réfrigérateur se stabilise.</li> </ul>
	Un amas de glaçons dans le bac provoque l'arrêt de la machine à glaçons.	<ul style="list-style-type: none"> <li>Nivelez les glaçons à la main.</li> </ul>
	Cubes de glace sont coincés dans le distributeur.	<ul style="list-style-type: none"> <li>Débranchez le distributeur, enlevez les cubes et rebranchez le distributeur.</li> </ul>
Odeur/saveur anormale des glaçons	Il faut nettoyer le bac à glaçons.	<ul style="list-style-type: none"> <li>Videz et lavez le bac à glaçons. Jetez les vieux glaçons.</li> </ul>
	Des aliments ont transmis leur odeur/goût aux glaçons.	<ul style="list-style-type: none"> <li>Emballez bien les aliments.</li> </ul>
	Il faut nettoyer l'intérieur du réfrigérateur.	<ul style="list-style-type: none"> <li>Consultez Entretien et nettoyage.</li> </ul>
Petits glaçons ou glaçons creux à l'intérieur	Le filtre à eau est bouché.	<ul style="list-style-type: none"> <li>Remplacez la cartouche du filtre avec une nouvelle cartouche ou installez le bouchon du filtre.</li> </ul>
Le distributeur de glaçons ne fonctionne pas (sur certains modèles)	La machine à glaçons est éteinte ou l'alimentation en eau a été coupée.	<ul style="list-style-type: none"> <li>Mettez en marche la machine à glaçons ou rétablissez l'alimentation en eau.</li> </ul>
	Des glaçons sont collés au bras régulateur.	<ul style="list-style-type: none"> <li>Retirez les glaçons.</li> </ul>
	Un objet bloque ou est tombé dans la chute à glace située à l'intérieur du bac supérieur de la porte du compartiment congélation.	<ul style="list-style-type: none"> <li>Enlevez tout objet qui bloque ou est tombé dans la chute.</li> </ul>
	Distributeur est VERROUILLÉ.	<ul style="list-style-type: none"> <li>Appuyez et maintenez enfoncée la touche LOCK (verrouillage) pendant 3 secondes.</li> </ul>
	Blocs de glace irréguliers dans le bac à glaçons.	<ul style="list-style-type: none"> <li>Brisez-en autant que possible avec vos doigts et jetez ceux qui restent.</li> <li>Le congélateur est peut-être trop chaud. Réglez la commande du congélateur sur une température plus basse, en abaissant la commande d'une position à la fois jusqu'à ce que les blocs de glace disparaissent.</li> </ul>
L'eau versée dans le premier verre est chaude (sur certains modèles)	Normal lorsque le réfrigérateur est initialement installé.	<ul style="list-style-type: none"> <li>Attendez 24 heures pour que la température du réfrigérateur se stabilise.</li> </ul>
	Le distributeur d'eau n'a pas été utilisé depuis longtemps.	<ul style="list-style-type: none"> <li>Faites couler l'eau jusqu'à ce que l'eau du système soit remplacée par de l'eau fraîche.</li> </ul>
	Le réservoir d'eau vient d'être vidangé.	<ul style="list-style-type: none"> <li>Attendez plusieurs heures pour que l'eau refroidisse.</li> </ul>
Le distributeur d'eau ne fonctionne pas (sur certains modèles)	L'alimentation en eau est coupée ou n'est pas raccordée.	<ul style="list-style-type: none"> <li>Consultez Installation de la conduite d'eau.</li> </ul>
	Le filtre à eau est bouché.	<ul style="list-style-type: none"> <li>Remplacez la cartouche du filtre avec une nouvelle cartouche ou installez le bouchon du filtre.</li> </ul>
	Il y a de l'air dans la conduite d'eau.	<ul style="list-style-type: none"> <li>Appuyez sur le bras de distribution pendant au moins deux minutes.</li> </ul>
	Distributeur est VERROUILLÉ.	<ul style="list-style-type: none"> <li>Appuyez et maintenez enfoncée la touche LOCK (verrouillage) pendant 3 secondes.</li> </ul>
L'eau jaillit du distributeur	La cartouche du filtre vient d'être installée.	<ul style="list-style-type: none"> <li>Faites couler l'eau du distributeur pendant 3 minutes (environ 6 litres).</li> </ul>

Problème	Causes possibles	Que faire
La machine à glaçons fonctionne, mais ne distribue pas d'eau	L'eau du réservoir est gelée.	<ul style="list-style-type: none"> <li>• Appelez un réparateur.</li> </ul>
	Le réglage de commande est trop froid.	<ul style="list-style-type: none"> <li>• Réglez le commande de température sur un réglage plus chaud.</li> </ul>
La machine à glaçons ne distribue ni eau ni glaçons	La conduite d'eau ou le robinet d'arrêt est bouché.	<ul style="list-style-type: none"> <li>• Appelez un plombier.</li> </ul>
	Le filtre à eau est bouché.	<ul style="list-style-type: none"> <li>• Remplacez la cartouche du filtre avec une nouvelle cartouche ou installez le bouchon du filtre.</li> </ul>
	Distributeur est VERROUILLÉ.	<ul style="list-style-type: none"> <li>• Appuyez et maintenez enfoncée la touche LOCK (verrouillage) pendant 3 secondes.</li> </ul>
CUBED ICE (cubes de glace) était choisi mais CRUSHED ICE (glace concassée) a été distribuée (sur certains modèles)	Le réglage précédent était CRUSHED ICE.	<ul style="list-style-type: none"> <li>• Quelques cubes sont restés et ont été concassés à cause du réglage précédent. C'est normal.</li> </ul>
Odeur dans le réfrigérateur	Des aliments ont transmis leur odeur au réfrigérateur.	<ul style="list-style-type: none"> <li>• Les aliments à odeur forte doivent être emballés hermétiquement.</li> <li>• Gardez une boîte ouverte de bicarbonate de soude dans le réfrigérateur.</li> </ul>
	Il faut nettoyer l'intérieur.	<ul style="list-style-type: none"> <li>• Consultez Entretien et nettoyage.</li> </ul>
De la condensation s'accumule à l'extérieur	Cela n'est pas inhabituel pendant les périodes de forte humidité.	<ul style="list-style-type: none"> <li>• Essuyez bien la surface extérieure.</li> </ul>
De la condensation s'accumule à l'intérieur (par temps humide, l'ouverture des portes laisse entrer de l'humidité)	Les portes sont ouvertes trop fréquemment ou pendant trop longtemps.	<ul style="list-style-type: none"> <li>• C'est normal pour le centre de boissons.</li> </ul>
	Étant donné le taux d'humidité plus élevé dans le compartiment du réfrigérateur, il est possible d'y déceler la présence de brouillard ou de petites quantités de buée de temps à autre.	<ul style="list-style-type: none"> <li>• Ce phénomène est normal et son apparition sera fonction des variations de la charge d'aliments et des conditions ambiantes. Sécher à l'aide d'un essuie-tout si désiré.</li> </ul>
L'éclairage intérieur ne fonctionne pas	Il n'y a pas de courant au niveau de la prise.	<ul style="list-style-type: none"> <li>• Remplacez le fusible ou réenclenchez le disjoncteur.</li> </ul>
	L'ampoule est grillée.	<ul style="list-style-type: none"> <li>• Consultez Remplacement des ampoules.</li> </ul>
Eau sur le sol ou au fond du congélateur	Il y a des glaçons bloqués dans le conduit.	<ul style="list-style-type: none"> <li>• Faites passer les glaçons à l'aide d'une cuillère en bois.</li> </ul>
Air chaud à la base du réfrigérateur	Courant d'air normal provenant du moteur. Pendant le processus de réfrigération, il est normal que de la chaleur soit expulsée à la base du réfrigérateur. Certains revêtements de sol sont sensibles et peuvent se décolorer sous l'effet de cette température de fonctionnement normale qui est sans danger.	
La porte ne se ferme pas correctement	Le joint de la porte du côté des charnières est collé ou replié.	<ul style="list-style-type: none"> <li>• Mettre une couche de cire de paraffine sur le joint de la porte.</li> </ul>



## Avant d'appeler à un technicien...

Problème	Causes possibles	Que faire
Lueur orange dans le congélateur	Le cycle de dégivrage est en cours.	<ul style="list-style-type: none"><li>• C'est normal.</li></ul>
Le réfrigérateur ne s'arrête jamais mais les températures sont normales	La fonction de dégivrage maintient le compresseur en marche au cours de l'ouverture des portes.	<ul style="list-style-type: none"><li>• Ceci est normal. Le réfrigérateur passe sur cycle d'arrêt lorsque les portes ont été fermées pendant 2 heures.</li></ul>
Le réfrigérateur émet un signal sonore	La porte est ouverte.	<ul style="list-style-type: none"><li>• Fermez la porte.</li></ul>
La température présente n'est pas égale à celle affichée	L'appareil vient d'être branché.	<ul style="list-style-type: none"><li>• Pour stabiliser le système, laissez 24 heures s'écouler.</li></ul>
	La porte est restée ouverte trop longtemps.	<ul style="list-style-type: none"><li>• Pour stabiliser le système, laissez 24 heures s'écouler.</li></ul>
	Des aliments chauds ont été placés dans le réfrigérateur.	<ul style="list-style-type: none"><li>• Pour stabiliser le système, laissez 24 heures s'écouler.</li></ul>
	Cycle de dégivrage en cours.	<ul style="list-style-type: none"><li>• Pour stabiliser le système, laissez 24 heures s'écouler.</li></ul>
Bourdonnement fréquent	Le commutateur de marche de la machine à glaçons est dans la position <i>I (marche)</i> , mais l'arrivée d'eau au réfrigérateur n'a pas été raccordée.	<ul style="list-style-type: none"><li>• Réglez le commutateur de marche sur la position <i>O (arrêt)</i>, car le garder dans la position <i>I (marche)</i> endommagera le robinet d'eau.</li></ul>



## GARANTIE DU CLIENT

(pour la clientèle au Canada)

Votre réfrigérateur est garanti contre tout défaut de matériau et de fabrication.

Ce qui couvert	Durée de garantie (à partir de la date d'achat)	Des Pièces Réparation ou remplacement au à la discrétion de Mabe	Main-d'oeuvre
Compresseur	GE Profile : Dix (10) ans GE et toutes autre marques : Un (1) an	GE Profile : Dix (10) ans GE et toutes autre marques : Un (1) an	GE Profile : Cinq (5) ans GE et toutes autre marques : Un (1) an
Système scellé (y compris l'évaporateur, la tuyauterie du condenseur et le liquide frigorigène)	GE Profile : Cinq (5) ans GE et toutes autre marques : Un (1) an	GE Profile : Cinq (5) ans GE et toutes autre marques : Un (1) an	GE Profile : Cinq (5) ans GE et toutes autre marques : Un (1) an
Toute autre pièce	Un (1) an	Un (1) an	Un (1) an

### CONDITIONS GÉNÉRALES DE VENTE :

La présente garantie ne s'applique qu'à l'utilisation domestique par une seule famille au Canada, lorsque le réfrigérateur a été installé conformément aux instructions fournies par Mabe et est alimenté correctement en eau et en électricité.

Les dommages dus à une utilisation abusive, un accident, une exploitation commerciale, ainsi que la modification, l'enlèvement ou l'altération de la plaque signalétique annulent la présente garantie.

L'entretien effectué dans le cadre de la présente garantie doit l'être par un réparateur agréé Mabe.

Mabe et le marchand ne peuvent être tenus pour responsables en cas de réclamations ou dommages résultant de toute panne du réfrigérateur ou d'un entretien retardé pour des raisons qui raisonnablement échappent à leur contrôle.

L'acheteur doit, pour obtenir un service dans le cadre de la garantie, présenter la facture originale. Les éléments réparés ou remplacés ne sont garantis que pendant le restant de la période de garantie initiale.

Cette garantie est offerte à l'acheteur initial, ainsi qu'à tout propriétaire subséquent d'un produit acheté en vue d'une utilisation domestique au Canada. Le service à domicile en vertu de la garantie sera fourni dans les régions où il est disponible et où Mabe estime raisonnable de le fournir.

Cette garantie est en sus de toute garantie statutaire.

### CE QUI N'EST PAS COUVERT :

- Les visites à domicile pour l'installation du produit ou pour des informations sur son utilisation sont à la charge du propriétaire.
- Les dommages à la finition doivent être signalés dans les 48 heures suivant la livraison de votre appareil.
- Les dommages à la finition causés après la livraison.
- Une mauvaise installation-l'installation correcte inclut la bonne circulation d'air pour le système de réfrigération, des possibilités de branchement aux circuits électriques, d'alimentation en eau et autres.
- Remplacement des ampoules.
- Tout dommage subi par l'appareil à la suite d'un accident, d'un incendie, d'inondation ou en cas de force majeure.
- Détérioration des aliments.
- Utilisation correcte et entretien adéquat de l'appareil selon le manuel d'utilisation, réglage correct des commandes.
- Le service s'il est impossible d'avoir accès au produit pour ce faire.
- LE GARANT N'EST PAS RESPONSABLE DES DOMMAGES INDIRECTS.
- Dommages causés par l'utilisation d'un filtre qui n'est pas de marque GE.

**EXCLUSION DE GARANTIES IMPLICITES**—Votre recours exclusif est l'échange du produit suivant les modalités de la Garantie Limitée. Toutes garanties tacites, y compris les garanties de valeurs marchandes ou d'adéquation à des fins particulières, sont limitées à une durée d'un an ou à la durée la plus courte autorisée par la loi.

### IMPORTANT

Conservez cette garantie et votre facture comme preuve de la date d'achat. Veuillez avoir votre numéro de série et votre numéro de modèle à portée de main lorsque vous appelez pour obtenir un service.

Mabe vous propose ses services dans tout le pays. Pour de plus amples renseignements sur cette garantie, veuillez contacter :

Directeur, Relations Clientèle, Mabe Canada Inc., Service à la clientèle  
Bureau 310, 1 Factory Lane, Moncton, N.B. E1C 9M3  
1.800.561.3344

Agrafez votre facture ici.  
Pour obtenir le service sous  
garantie, une preuve de la date  
d'achat initial est nécessaire.

# Données de performance

## Système de Filtration à Cartouche ® MSWF

Ce système a été testé et certifié pour le modèle GE MWF conformément aux Normes NSF/ANSI n°42 et 53 pour la réduction des substances indiquées ci-dessous. La concentration des substances indiquées dans l'eau alimentant le système a été réduite à une concentration inférieure ou égale à la limite autorisée pour l'eau en sortie du système, telle que l'exigent les normes NSF/ANSI 42 et 53.\* (Un coefficient de sécurité est ajouté au système pour les utilisations sans compteur).

### Standard No. 42: Aesthetic effects

Paramètre	USEPA MCL	Qualité influent Concentration	Effluent		% Reduction		Réduction exigeante Min.
			Moyenne	Maximum	Moyenne	Maximum	
Chlorine Taste & Odor	—	2.0 mg/L ± 10%	0.06 mg/L	0.10 mg/L	97%	9.1%	≥ 50%
Particules**	—	at least 10,000 particles/ mL	408,333	670,000	95.5%	89.4%	≥ 85%

### Standard No. 53: Health effects

Parameter	USEPA MCL	Qualité influent Concentration	Effluent		% Reduction		Concentration (mg/l) permise pour l'eau le système
			Moyenne	Maximum	Moyenne	Maximum	
Turbidité	1 NTU****	11 ± 1 NTU****	0.38 NTU	0.5 NTU	96.5%	95.4%	0.5 NTU
Spores***	99.95% Reduction	Minimum 50,000 L	< 1 #/L	4 #/L	> 99.99%	> 99.99%	99.95%
Plomb au pH 6.5	0.010 mg/L	0.15 mg/L ± 10%	< 1 ppb	< 1 ppb	99.3%	99.3%	0.010 mg/L
Plomb au pH 8.5	0.010 mg/L	0.15 mg/L ± 10%	3.1 ppb	9.0 ppb	98.0%	95.5%	0.010 mg/L
Mercuré at pH 6.5	0.002 mg/L	0.006 mg/L ± 10%	0.34 ppb	0.7 ppb	94.0%	89.6%	0.002 mg/L
Mercuré at pH 8.5	0.002 mg/L	0.006 mg/L ± 10%	0.66 ppb	1.5 ppb	88.4%	73.7%	0.002 mg/L
Lindane	0.0002 mg/L	0.002 mg/L ± 10%	< 0.02 ppb	< 0.02 ppb	> 99.0%	> 99.0%	0.0002 mg/L
Atrazine	0.003 mg/L	0.009 mg/L ± 10%	< 0.5 ppb	< 0.05 ppb	> 93.9%	> 94.3%	0.003 mg/L
2, 4-D	0.070 mg/L	0.210 mg/L ± 10%	7.7 ppb	35 ppb	96.0%	82.0%	0.070 mg/L
Toxaphène	0.003 mg/L	0.015 mg/L ± 10%	< 1 ppb	< 1 ppb	> 92.9%	> 92.9%	0.003 mg/L
Benzène	0.005 mg/L	0.015 mg/L ± 10%	< 0.5 ppb	< 0.5 ppb	> 96.8%	> 97.0%	0.005 mg/L
Carbofuran	0.040 mg/L	0.080 mg/L ± 10%	< 1 ppb	1 ppb	> 98.7%	> 98.7%	0.040 mg/L
P-Dichlorobenzène	0.075 mg/L	0.225 mg/L ± 10%	< 0.5 ppb	< 0.5 ppb	> 99.7%	> 99.8%	0.075 mg/L
Asbestos	99% Reduction	10 <sup>7</sup> to 10 <sup>8</sup> fibers/L; fibers > 10µm in length	< 0.17 MF/L	< 0.17 MF/L	> 99%	> 99%	99% Reduction

\*Tested using pressure of 60 psig; pH of 7.5 ± 0.5; temp of 68° ± 5°F (20° ± 2.5°C).

\*\*Measurement in Particles/mL. Particles used were 0.5-1 microns.

\*\*\*Basé sur l'utilisation des oocystes de *Cryptosporidium parvum*.

\*\*\*\*NTU=Nephelometric Turbidity Units

Capacité 300 gallons (1,135 liters). réduction de la contamination déterminée par des tests NSF.

### Directives d'utilisation/Paramètres de l'eau d'alimentation

Débit fourni	0,9 gpm (3,14 lpm)
Alimentation en eau	Eau potable

Pression d'alimentation	40-120 bar (40-120 lb/po <sup>2</sup> )
Température de l'eau	33°F-100°F (0,6°C-38°C)

Il est impératif que les méthodes d'installation, de maintenance et de remplacement du filtre recommandées par le fabricant pour ce produit soient respectées. Consultez le manuel d'installation pour toute information sur la garantie

### Spécifications d'utilisation

- Pression requise : 40-120 lb/po<sup>2</sup> (2,8-8,2 bar), à l'épreuve des coups de bélier
- Température: 33-100°F (0,6-38°C)
- Débit : 0,9 gpm (3,14 lpm)

### Exigences d'installation / de fonctionnement/ de maintenance

- Rincez la nouvelle cartouche à plein débit avec 6 litres d'eau (environ trois minutes) pour libérer l'air.
- Remplacez la cartouche lorsque le débit devient trop faible.
- Protégez contre le gel en retirant la cartouche si la température risque de descendre en dessous de 40°F (4,4°C). N'installez pas ces systèmes dans des pièces où la température ambiante risque de dépasser 100°F (38°C) ou d'être inférieure à 40°F (4,4°C). Ne connectez pas le système à une alimentation d'eau chaude.

### Informations particulières

- La notice d'installation est fournie avec le produit.
- Le système d'eau potable doit être entretenu conformément aux instructions du fabricant. Ceci inclut le remplacement des cartouches de filtre.
- N'utilisez jamais votre système de filtration avec une eau microbiologiquement insalubre ou de qualité inconnue sans avoir un dispositif de désinfection adéquate en amont ou en aval de votre système. Les systèmes des spores peuvent être utilisés sur une eau désinfectée pouvant contenir des spores filtrables.

- Les substances contaminantes qui peuvent être réduites ou éliminées par votre système de traitement d'eau ne sont pas obligatoirement présentes dans votre eau.
- Vérifiez la conformité aux règlements et à la législation locale ou nationale.
- Il est à noter que ces essais ont été effectués dans des conditions standards de laboratoire, la performance réelle peut varier. Les systèmes doivent être installés et utilisés conformément aux procédures et directives données par le fabricant.
- L'installation et l'utilisation DOIVENT être conformes à tous les codes locaux et nationaux de plomberie. Ne procédez pas à l'installation si la pression de l'eau dépasse 120 lb/po<sup>2</sup>. Si votre pression d'eau dépasse 80 lb/po<sup>2</sup> (552 kPa), il est nécessaire d'installer un système de limitation de pression. Contactez un plombier professionnel si n'êtes pas sûr de la méthode permettant de vérifier votre pression d'eau.
- N'installez pas le système s'il y a des possibilités de coups de bélier. En cas de coup de bélier, vous devez installer un dispositif anti-bélier. Contactez un plombier professionnel si n'êtes pas sûr de la méthode permettant de vérifier la présence de ce problème.
- Si votre système est équipé d'un dispositif anti-refoulement, un dispositif de contrôle de pression due à la dilatation thermique doit être installé.

Testé et certifié par NSF International en conformité avec les normes ANSI/NSF 42 et 53 pour le modèle GE MWF pour la réduction de:

#### Norme n°42 : Paramètres esthétiques

- Chimique
  - Goût et odeur de chlore
- Filtration mécanique
  - Réduction des particules, Class I

#### Norme n°53 : Effets sur la santé

- Réduction chimique
  - Réduction de l'atrazine
  - Réduction de l'Endrine
  - Réduction du benzène et du Carbofuran
  - Réduction du 1,4 Dichlorobenzène et du 2,4-D
- Filtration mécanique
  - Réduction du plomb et du lindane
  - Réduction du mercure et du Toxaphène
  - Réduction des spores et de l'amiante



GE  
Appliances  
Appliance Park  
Louisville, KY 40225  
geapplianceparts.com



REPLACEMENT  
ELEMENT

© 2010 GE Company PC61278B

# Fiche technique de performance

## Système de filtration SmartWater<sup>MC</sup> - Cartouche MWF de GE

La concentration des substances indiquées dans l'eau alimentant le système a été réduite à une concentration inférieure ou égale à la limite autorisée pour l'eau de sortie du système, comme exigé par les normes 42 et 53 de la NSF/ANSI\*. Ce système a été mis à l'essai et certifié pour la réduction des substances indiquées ci-dessous par la NSF International et est conforme aux normes 42 et 53 de la NSF/ANSI.

### Capacité 300 gallons (1 135 litres). Réduction de contaminants déterminée par des essais NSF.

Substance analysée pour la réduction	Concentration influente moyenne	Concentration influente spécifiée par NSF	% moyen de réduction	Concentration moyenne de substance en sortie	Concentration max permmissible de substance en sortie	Exigences de réduction NSF	NSF Test Report
Goût et ordeur de chlore	2.0 mg/L	2.0 mg/L ± 10%	97.5%	0.05 mg/L	N/A	≥ 50%	J-00077703
Particules nominales, Classe I ≥0,5 à < 1,0 µm	7,833,333 pts/mL	Au moins 10 000 particules/mL	99.7%	18,617 pts/mL	N/A	≥85%	J-00077704
Kystes*	101,000 Kystes/L	Minimum 50,000 Kystes/L	99.99%	1 Kystes/L	N/A	≥99.95%	J-00100036
Amiante	47 MF/L	107 à 108 fibres/L; fibres supérieures à 10 µm de long	>99%	<1 MF/L	N/A	≥99%	J-00077707
Atrazine	0.009 mg/L	0.009 mg/L ± 10%	94.5%	0.0005 mg/L	0.003 mg/L	N/A	J-00077708
Benzène	0.016 mg/L	0.015 mg/L ± 10%±	96.7%	0.0005 mg/L	0.005 mg/L	N/A	J-00077717
Carbofuran	0.08 mg/L	0.08 mg/L ± 10%	98.7%	0.001 mg/L	0.04 mg/L	N/A	J-00077718
Endrin	0.007 mg/L	0.006 mg/L ± 10%	97.1%	0.0002 mg/L	0.002 mg/L	N/A	J-00100039
Plomb @ pH 6.5	0.152 mg/L	0.15 mg/L ± 10%	99.3%	0.001 mg/L	0.010 mg/L	N/A	J-00077722
Plomb @ pH 8.5	0.148 mg/L	0.15 mg/L ± 10%	99.3%	0.001 mg/L	0.010 mg/L	N/A	J-00077723
Lindane	0.002 mg/L	0.002 mg/L ± 10%	99.0%	0.00002 mg/L	0.0002 mg/L	N/A	J-00077726
Mercure @ pH 6.5	0.0058 mg/L	0.006 mg/L ± 10%	93.2%	0.0004 mg/L	0.002 mg/L	N/A	J-00100037
Mercure @ pH 8.5	0.0061 mg/L	0.006 mg/L ± 10%	93.2%	0.0004 mg/L	0.002 mg/L	N/A	J-00092355
P-dichlorobenzène	0.222 mg/L	0.225 mg/L ± 10%	99.8%	0.005 mg/L	0.075 mg/L	N/A	J-00077729
Tétrachloréthylène	0.015 mg/L	0.015 mg/L ± 10%	96.7%	0.0005 mg/L	0.005 mg/L	N/A	J-00082184
Toxaphène	0.015 mg/L	0.015 mg/L ± 10%	93.2%	0.001 mg/L	0.003 mg/L	N/A	J-00077730
2,4-D	0.218 mg/L	0.210 mg/L ± 10%	99.5%	0.0009 mg/L	0.07 mg/L	N/A	J-00085470

\*Basé sur l'utilisation des oocystes de cryptosporidium parvum.

Les énoncés de réduction pharmaceutiques n'ont pas été certifiés par la NSF International ou l'état de la Californie.

Énoncés éprouvés et vérifiés par un laboratoire indépendant :

Réduction de contaminant	Moyenne pour l'eau d'alimentation	Concentration d'amorce spécifiée par NSF	% réduction moyenne	Concentration moyenne de substance en sortie	Concentration max permmissible en sortie	Exigences de réduction NSF	Rapport d'essai NSF
Aténolol	978 ng/L	N/A	99.5%	5.0 ng/L	N/A	N/A	J-00121587
Fluoxétine	907 ng/L	N/A	99.4%	5.4 ng/L	N/A	N/A	J-00121587
Ibuprofène	885 ng/L	N/A	94.1%	52.3 ng/L	N/A	N/A	J-00121588
Progestérone	1097 ng/L	N/A	99.5%	5.0 ng/L	N/A	N/A	J-00121589
Triméthoprim	415 ng/L	N/A	99.5%	2.0 ng/L	N/A	N/A	J-00121587

### Directives et paramètres de l'alimentation en eau

Débit fourni	0.5 gpm (21.9 lpm)
Alimentation en eau	Eau potable

Pression d'eau	40-120 psi (2.8-8.2 bar)
Température de l'eau	33°F-100°F (0.6°C-38°C)

Il est impératif que les méthodes d'installation, d'entretien et de remplacement du filtre recommandées par le fabricant de ce produit soient respectées.

Consultez le manuel d'installation pour connaître les renseignements de la garantie.

**Remarque :** Bien que les essais aient été effectués dans des conditions normales de laboratoire, la performance actuelle peut varier.  
Cartouche de rechange : MWF. Pour connaître les coûts évalués des articles de rechange, veuillez appeler au 1-800-626-2002 ou visitez notre site internet au [www.geapplianceparts.com](http://www.geapplianceparts.com).

### ⚠ AVERTISSEMENT

Pour réduire le risque associé à l'ingestion de contaminants :

- **N'utilisez pas l'eau dont la salubrité microbiologique est inconnue ou dangereuse sans avoir effectué une désinfection des composants d'arrivée et de sortie du système.** Les systèmes certifiés pour la réduction de kystes peuvent être utilisés pour de l'eau désinfectée contenant des kystes filtrables. Établissement EPA no 10350-MN-005.

Consultez la fiche technique de performance pour connaître les conditions d'utilisation, les énoncés de santé certifiés par le service de santé publique de la Californie et les remplacements. Certification du service de santé publique de la Californie no 05-1698. Les contaminants qui peuvent être réduits ou éliminés par ce filtre à eau ne sont pas obligatoirement présents dans votre eau.

### AVIS

Pour réduire le risque associé aux dommages matériels causés par des fuites d'eau :

- **Lisez et suivez** les instructions avant de procéder à l'installation et d'utiliser votre système.
- L'installation et l'utilisation **DOIVENT** être conformes à tous les codes locaux et nationaux de plomberie.
- **Ne procédez pas** à l'installation si la pression de l'eau dépasse 120 lb/po<sup>2</sup> (8.2 bars). Si votre pression d'eau dépasse 80 lb/po<sup>2</sup> (552 kPa), il est nécessaire d'installer un système de limitation de pression. Communiquez avec un plombier professionnel si vous n'êtes pas sûr de la méthode de vérification de la pression d'eau.
- **N'installez pas** le système s'il y a des possibilités de coups de bélier. En cas de coup de bélier, vous devez installer un dispositif anticoup de bélier. Communiquez avec un plombier professionnel si n'êtes pas sûr de la méthode permettant de vérifier cette condition.
- **Ne raccordez pas** le système à des conduites d'alimentation d'eau chaude. La température de service maximale de ce système de filtre est de 38 °C (100 °F).
- **Protégez le filtre contre le gel.** Vidangez l'eau du filtre lorsque la température se situe sous 0,6 °C (33 °F).
- La cartouche du filtre jetable **doit** être remplacée tous les **six (6)** mois ou moins si le débit d'eau du distributeur d'eau ou du distributeur de glace diminue.



Mis à l'essai et certifié par NSF International conformément aux normes 42 et 53 de la NSF/ANSI du modèle MWF de GE pour les énoncés de réductions mentionnés à la fiche technique de performance.

Notas...

---



## Soutien au consommateur.

---



### Site Web appareils électroménagers GE [www.electromenagersge.ca](http://www.electromenagersge.ca)

---

Vous avez une question ou vous avez besoin d'aide pour votre appareil électroménager? Contactez-nous par Internet au site [www.electromenagersge.ca](http://www.electromenagersge.ca) 24 heures par jour, tous les jours de l'année.



### Service de réparations

---

1.800.561.3344

Service de réparations GE est tout près de vous.

Pour faire réparer votre électroménager GE, il suffit de nous téléphoner.



### Studio de conception réaliste

---

Sur demande, GE peut fournir une brochure sur l'aménagement d'une cuisine pour les personnes à mobilité réduite.

Écrivez: Directeur, Relations avec les consommateurs, Mabe Canada, Inc.  
Bureau 310, 1 Factory Lane  
Moncton, N.B. E1C 9M3



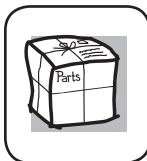
### Prolongation de garantie

---

[www.electromenagersge.ca](http://www.electromenagersge.ca)

Achetez un contrat d'entretien GE avant que votre garantie n'expire et bénéficiez d'un rabais substantiel. Ainsi le service après-vente GE sera toujours là après expiration de la garantie.

Visitez notre site Web ou appelez-nous au 1.888.261.2133.



### Pièces et accessoires

---

Ceux qui désirent réparer eux-mêmes leurs électroménagers peuvent recevoir pièces et accessoires directement à la maison (cartes VISA, MasterCard et Discover acceptées).

Les directives stipulées dans le présent manuel peuvent être effectuées par n'importe quel utilisateur. Les autres réparations doivent généralement être effectuées par un technicien qualifié. Soyez prudent, car une réparation inadéquate peut affecter le fonctionnement sécuritaire de l'appareil.

Vous trouverez dans les pages jaunes de votre annuaire le numéro du Centre de service Mabe le plus proche. Autrement, appelez-nous au 1.800.661.1616.



### Contactez-nous

---

Si vous n'êtes pas satisfait du service après-vente dont vous avez bénéficié :

Premièrement, communiquez avec les gens qui ont réparé votre appareil.

Ensuite, si vous n'êtes toujours pas satisfait envoyez tous les détails – numéro de téléphone compris – au  
Directeur, Relations avec les consommateurs, Mabe Canada, Inc.  
Bureau 310, 1 Factory Lane  
Moncton, N.B. E1C 9M3



### Inscrivez votre appareil électroménager [www.electromenagersge.ca](http://www.electromenagersge.ca)

---

Inscrivez votre appareil électroménager en direct, aussitôt que possible. Cela améliorera nos communications et notre service après-vente. Vous pouvez également nous envoyer par la poste le formulaire d'inscription joint à votre documentation.

**Información de seguridad** .....82

**Instrucciones de operación**

Cuidado y limpieza del  
refrigerador ..... 89, 90  
El dispensador de agua y de hielo .... 88  
El dispositivo automático  
para hacer hielo .....87  
El filtro de agua .....81  
ExpressChill™ .....86  
Gavetas y cacerolas .....84  
Los controles del refrigerador .....78  
Los entrepaños y recipientes  
del refrigerador..... 82, 83  
Puertas del refrigerador.....84  
Reemplazo de bombillas .....91  
TurboCool™ .....85

**Instrucciones de instalación**

Cómo instalar el refrigerador....103–106  
Cómo mover el refrigerador.....99–102  
Instalación de la tubería de agua107–109  
Preparación para  
instalar el refrigerador .....98

**Solucionar problemas**.....111–114  
Sonidos normales de la operación... 110

**Servicio al consumidor**

Garantía para consumidores  
en los Estados Unidos. .... 115  
Hoja de datos de funcionamiento ... 115  
Servicio al consumidor ..... 119

**Anote aquí los números de modelo y de serie:**

**No.** \_\_\_\_\_

**No.** \_\_\_\_\_

Usted los verá en una etiqueta en el interior del compartimiento de refrigerador en la parte superior en el lado derecho.



# **INFORMACIONES IMPORTANTES DE SEGURIDAD. LEA PRIMERO TODAS LAS INSTRUCCIONES.**

---

## **⚠ ¡ADVERTENCIA!**

Use este aparato sólo para los fines que se describen en este Manual del propietario.

## **PRECAUCIONES DE SEGURIDAD**

---

Cuando use electrodomésticos, siga las precauciones básicas de seguridad, incluyendo las siguientes:

- Antes de usarse, este refrigerador deberá estar instalado y ubicado de acuerdo con las instrucciones de instalación.
  - No permita que los niños se suban, se paren o se cuelguen de las charolas del refrigerador. Podría dañarse el refrigerador y causarles serias lesiones.
  - No toque las superficies frías del congelador cuando tenga las manos húmedas o mojadas. La piel se podría adherir a las superficies extremadamente frías.
  - No guarde ni use gasolina u otros vapores o líquidos inflamables cerca de este o cualquier otro aparato.
  - Aleje los dedos fuera de las áreas donde se puede pinchar los dedos; los espacios entre las puertas y entre las puertas y los gabinetes son necesariamente estrechos. Cierre las puertas con cuidado en la presencia de los niños.
  - Si su refrigerador tiene un dispositivo automático para hacer hielo, evite el contacto con las partes móviles del mecanismo de expulsión, o con el elemento calefactor localizado en la parte inferior del dispositivo para hacer hielo. No ponga los dedos ni las manos en el mecanismo automático para hacer hielo mientras el refrigerador esté conectado.
  - Desconecte el refrigerador antes de limpiarlo o efectuar reparaciones.
- NOTA:** Recomendamos enfáticamente encargar cualquier servicio a un personal calificado.
- No vuelva a congelar los alimentos congelados una vez que se hayan descongelado.
- NOTA:** Apagar el refrigerador con los controles del panel de control no deja sin corriente eléctrica al refrigerador.

## **⚠ PELIGRO! RIESGO DE QUE UN NIÑO PUEDA QUEDAR ATRAPADO**

### DESHACERSE DEBIDAMENTE DE SU REFRIGERADOR

El atrapamiento y la sofocación de los niños no son un problema del pasado. Los refrigeradores abandonados son un peligro...aunque sea sólo por "pocos días." Si se deshace de su viejo refrigerador, por favor siga las instrucciones abajo para ayudarnos a prevenir algún accidente.

#### ***Antes de deshacerse de su viejo refrigerador o congelador:***

- Quite las puertas.
- Deje los entrepaños en su sitio para que los niños no se suban.

#### ***Refrigerantes***

Todos los aparatos de refrigeración contienen refrigerantes, los cuales se deben retirar antes de la eliminación del producto de acuerdo con la ley federal. Si va a desechar algún aparato antiguo de refrigeración, consulte con la compañía a cargo de desechar el aparato para saber qué hacer.

### USO DE CABLES DE EXTENSION

Debido a los accidentes potenciales que pudieran ocurrir bajo determinadas condiciones, se recomienda estrictamente no usar cables de extensión.

Sin embargo, si decidiera usarlos, es absolutamente necesario que sea del tipo UL trifilar para aparatos y cuente con una clavija con conexión a tierra y que el cable eléctrico sea de 15 amperios (mínimo) y 120 voltios.

## **⚠ ¡ADVERTENCIA!**

### COMO CONECTAR LA ELECTRICIDAD

Bajo ninguna circunstancia debe cortar o quitar la tercera punta (tierra) de la clavija. Para su seguridad personal, este aparato deberá conectarse debidamente a tierra.

El cable eléctrico de este aparato está equipado con una clavija de tres puntas (tierra) que enchufa en un contacto estándar de pared de tres salidas (tierra) para reducir al mínimo la posibilidad de daños por un choque eléctrico con este aparato.

Haga que un electricista calificado verifique el enchufe de la pared y el circuito para asegurarse que la salida esté conectada debidamente a tierra.

Donde se disponga sólo de un contacto de pared con salida para dos puntas, es su responsabilidad personal y su obligación reemplazarlo por un contacto adecuado para tres puntas con conexión a tierra.

El refrigerador deberá conectarse siempre en su propio contacto eléctrico individual que tenga un voltaje que vaya de acuerdo con la tabla de clasificación.

Esto garantiza la mejor ejecución y evita la sobrecarga del circuito eléctrico de la casa y los daños a causa del sobrecalentamiento de los cables.

Nunca desconecte el refrigerador jalando el cable. Tome siempre firmemente la clavija y sáquela del contacto sin doblarla.

Repáre o reemplace inmediatamente todos los cables eléctricos de servicio que se hayan desgastado o dañado en alguna otra forma. No utilice cables que muestren roturas o daños por abrasión a lo largo de éste ni en la clavija o en alguno de sus extremos.

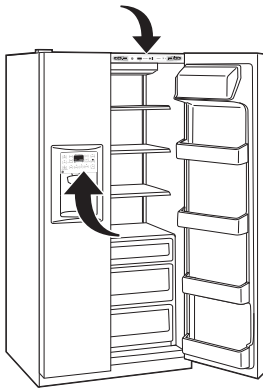
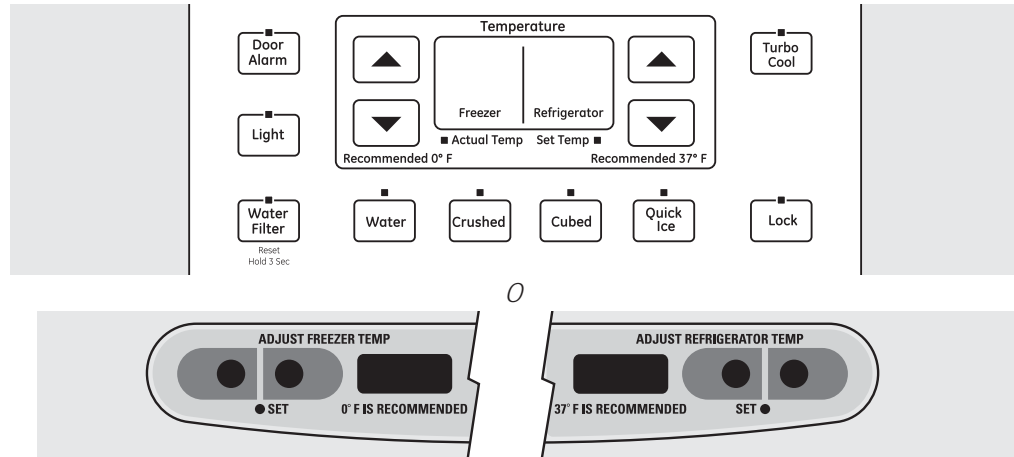
Al alejar su refrigerador de la pared, cuide que no pase sobre el cable o lo dañe.

**FAVOR DE LEER Y SEGUIR CUIDADOSAMENTE LAS PRECAUCIONES DE SEGURIDAD.**

***GUARDE ESTAS INSTRUCCIONES***

## Sobre los controles de temperatura.

No todas las funciones corresponden a todos los modelos. Es posible que sus controles sean similares a los siguientes:



Los controles de temperatura fueron configurados previamente en la fábrica en 37°F para el compartimento del refrigerador y en 0°F para el compartimento del freezer. Espere 24 horas hasta que la temperatura se establezca hasta los ajustes de preconfiguración recomendados.

Es posible que los controles de temperatura muestren la temperatura en SET (Ajustada) y la temperatura real en el refrigerador y en el freezer. La temperatura real puede variar levemente de la temperatura en SET (Ajustada) en base al uso y al ambiente donde se usa.

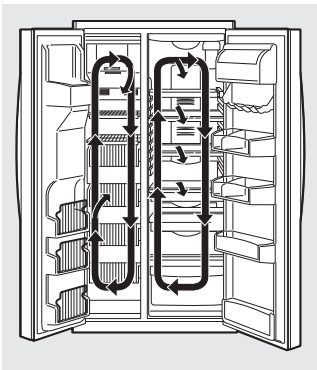
- En algunos modelos, ajustar ambos controles en la configuración más caliente hasta que la pantalla titile (apagado) detendrá el enfriamiento en los compartimientos del freezer y del refrigerador.
- En algunos modelos, ajustar ambos controles en la configuración más caliente hasta que la pantalla titile (apagado) detendrá el enfriamiento del freezer y del refrigerador.
- **NOTA:** Apagar el refrigerador a través de los controles del panel táctil no apaga la corriente eléctrica del refrigerador.

**NOTA:** El refrigerador se envía con una envoltura que protege los controles de temperatura. Si esta envoltura no fue retirada durante la instalación, retire la misma ahora.

## Sistema de Funcionamiento del Flujo de Aire

El Sistema de Funcionamiento de Flujo de Aire fue diseñado para maximizar el control de temperatura en los compartimientos del refrigerador y del freezer. Esta función especial y única cuenta con la Torre de Aire a lo largo de la pared trasera del refrigerador y el Túnel de Aire en la sección inferior de la pared trasera del freezer. Colocar comida frente a la celosía de ventilación de estos componentes no afectará el funcionamiento.

Aunque la Torre de Aire y el Túnel de Aire pueden ser retirados, hacer esto afectará el funcionamiento de la temperatura. Para acceder a instrucciones de retiro, se puede comunicar con nosotros a través de Internet, durante las 24 horas, visitándonos en [GEAppliances.com](http://GEAppliances.com), o llamando al 800. GE.CARES (800.432.2737). En Canadá, comuníquese con nosotros a [geappliances.ca](http://geappliances.ca) o llámenos al 1.800.561.3344.)



### Cómo Funciona

El *ClimateKeeper2™* es el sistema de refrigeración más avanzado de la industria, brindando un funcionamiento óptimo de la temperatura y humedad, a fin de mantener la comida fresca durante más tiempo y de reducir quemaduras por congelación.

El sistema *ClimateKeeper2* cuenta con dos evaporadores; uno para el refrigerador y uno para el freezer.

Esto provee dos sistemas de enfriamiento separados, y separa el flujo de aire entre los compartimientos de comida fresca y del freezer durante operaciones de congelación normal.\*

Esto asegura que los niveles de humedad del compartimiento de comida fresca son significativamente más altos que el sistema convencional,\*\* permitiendo que los productos frescos y otras comidas no selladas retengan su contenido de humedad y frescura por más tiempo. Las comidas sensibles a la humedad tales como frutas frescas, ensaladas, arroz, etc. ahora se pueden guardar en estantes abiertos sin pérdida excesiva de la humedad. Debido

al alto nivel de humedad en el refrigerador, es posible que ocasionalmente se empañe o que se produzcan pequeñas cantidades de humedad en el compartimiento del refrigerador. Esto es normal y puede variar dependiendo de las cantidades de comida y condiciones climáticas. Seque con una toalla de papel si lo desea.

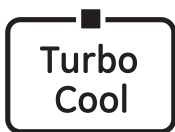
El sistema de flujo de aire separado minimiza la mezcla de aire entre los dos compartimientos, lo cual reduce la transferencia de olor de la comida fresca, para mejorar el gusto del hielo.

El sistema *ClimateKeeper2™* también reduce el número de ciclos de descongelación del evaporador del freezer, reduciendo así las quemaduras por congelación.

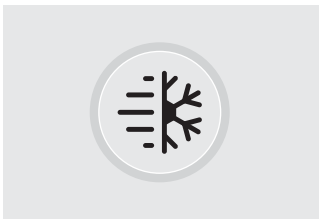
\*Se utiliza aire del freezer en la función *CustomCool™*.

\*\*Pruebas muestran un nivel más alto de humedad en la sección de Comida Fresca de refrigeradores *ClimateKeeper2™* con relación a las unidades convencionales.

## Sobre el TurboCool.™ (en algunos modelos).



OR



### How it Works

*TurboCool™* rapidly cools the refrigerator compartment in order to more quickly cool foods. Use *TurboCool™* when adding a large amount of food to the refrigerator compartment, putting away foods after they have been sitting out at room temperature or when putting away warm leftovers. It can also be used if the refrigerator has been without power for an extended period.

Once activated, the compressor will turn on immediately and the fans will cycle on and off at high speed as needed for eight hours. The compressor will continue to run until the refrigerator compartment cools to approximately 34°F (1°C), then it will cycle on and off to maintain this setting. After 8 hours, or if *TurboCool™* is pressed again, the refrigerator compartment will return to the original setting.

### How to Use

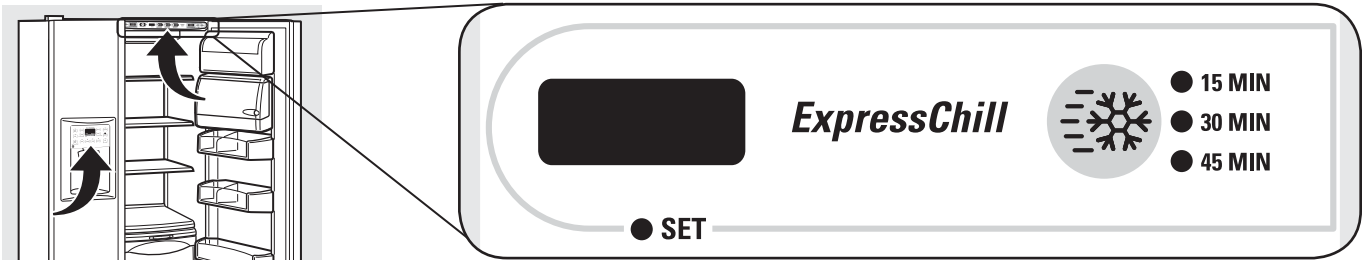
Press *TurboCool™*. The *TurboCool™* temperature display will show Tc and the LED will be activated. After *TurboCool™* is complete, the *TurboCool™* indicator light will go out.

**NOTES:** The refrigerator temperature cannot be changed during *TurboCool™*.

The freezer temperature is not affected during *TurboCool™*.

When opening the refrigerator door during *TurboCool™*, the fans will continue to run if they have cycled on.

## Sobre ExpressChill™. (en algunos modelos)



### Cómo Funciona

La función *ExpressChill™* es un sistema para humedecer, un ventilador y un termistor.

El recipiente de comida está fuertemente sellado para evitar que éste produzcan fluctuaciones de temperatura en el resto del refrigerador.

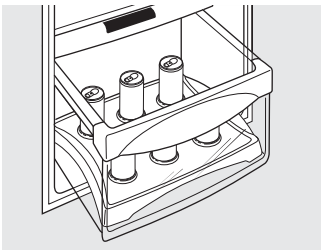
Los controles de este recipiente se encuentran ubicados en la parte superior del refrigerador o en el dispensador con los controles de temperatura.



### Cómo usar

- 1 Vacíe el recipiente. Coloque la bandeja de Frio en el recipiente. Coloque los productos en la bandeja y cierre el recipiente completamente.
- 2 Seleccione la tecla *ExpressChill™*. En algunos modelos, puede entonces seleccionar el tiempo de congelación (use el cuadro para determinar la mejor configuración). Otros modelos sólo tendrán una opción (45 minutos). En modelos con configuraciones múltiples, presione la tecla hasta que la luz aparezca junto a la configuración deseada.

- Para detener la función antes de que finalice, presione la tecla de dicha configuración hasta que no haya opciones seleccionadas y la pantalla esté apagada.
- Durante *ExpressChill™*, la pantalla de los controles realizará una cuenta regresiva en el ciclo.



*ExpressChill™*  
(Refrigeración expresa)

### Cómo Retirar y Reemplazar el Cajón

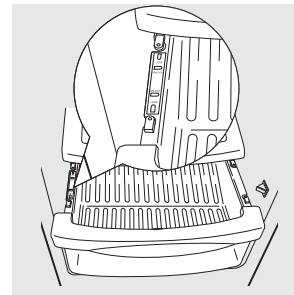
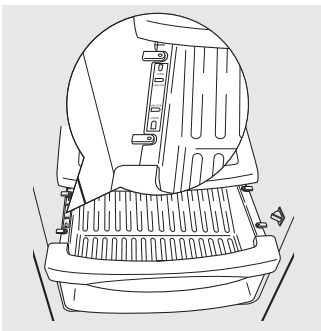
*Para retirar:*

- 1 Empuje el cajón fuera de su posición final.
- 2 Gire los cuatro cierres balanceables hasta la posición de desbloqueo.
- 3 Levante la parte frontal del cajón hacia arriba y hacia afuera.

*Para reemplazar:*

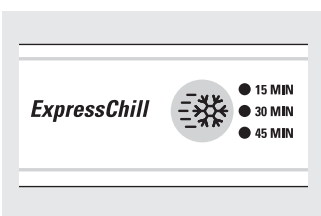
- 1 Asegúrese de que los cuatro cierres balanceables se encuentren en la posición de desbloqueo.
- 2 Coloque los lados del cajón sobre los soportes, asegurando que los cierres balanceables se ajusten en las ranuras del cajón.

- 3 Bloquee los cuatro cierres balanceables, rotando los mismos sobre la posición de bloqueo.



### Quadro de ExpressChill™ (en algunos modelos)

**NOTA:** Los resultados pueden variar dependiendo del embalaje, temperatura inicial y otras características de la comida.



- 15 Minutos
- 1 lata de bebida (12 onzas)
  - 2 cajas pequeñas de jugo (6–8 onzas cada una)

- 30 Minutos
- 2–6 latas de bebida (12 onzas cada una)
  - 2 botellas plásticas de 20 onzas de bebida
  - 4–6 cajas pequeñas de jugo (6–8 onzas cada una)
  - 3 paquetes de jugo enlatado
  - Vino (botella de 750 ml)

- 45 Minutos
- Botella de bebida de 2 litros
  - 1/2 galón de jugo
  - Gelatina—1 paquete

## Cartucho del filtro de agua

El cartucho del filtro de agua está ubicado en la esquina superior derecha trasera del compartimento del refrigerador.

### Cuándo reemplazar el filtro en los modelos con luz indicadora de recambio

En el dispensador hay una luz de indicación de recambio del cartucho del filtro del agua. Esta luz se volverá anaranjada para advertirle que necesita reemplazar el filtro pronto.

El cartucho del filtro debería reemplazarse cuando la luz indicadora de recambio se vuelva roja o si la salida de agua al dispensador o al dispositivo para hacer hielo disminuyera.

### Cuándo reemplazar el filtro en los modelos sin luz indicadora de recambio

El cartucho del filtro se debe reemplazar cada seis meses, o antes, si disminuye el flujo de agua al dispensador o al dispositivo para hacer hielo.

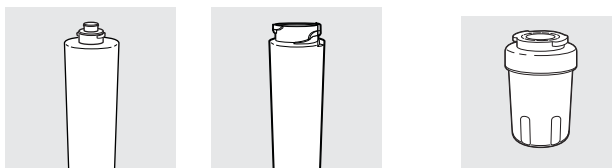
### Cómo retirar el cartucho del filtro

Si está cambiando el cartucho, remueva primero el viejo girándolo lentamente hacia la izquierda. No jale el cartucho directamente hacia abajo. Un poco de agua puede gotear.

### Instalar el cartucho del filtro

- 1 Si va a reemplazar un cartucho SmartWater con un adaptador, debe retirar el adaptador antes de instalar el cartucho. Para retirar el adaptador, gírelo hacia la izquierda aproximadamente 1/4 de giro.

Si va a reemplazar un cartucho Water by Culligan, deje el adaptador colocado. Este adaptador permanecerá en el refrigerador cuando reemplace cartuchos en el futuro.

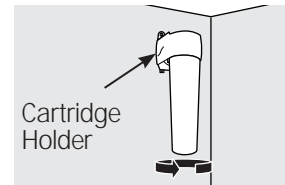


Con adaptador  
(el aspecto puede variar)

Sin adaptador

Algunos modelos cuentan con este tipo de filtro de agua.

- 2 En los modelos sin luz indicadora de recambio, pegue la etiqueta con el mes y el año al nuevo cartucho para que se recuerde de cambiar el filtro en seis meses.
- 3 Llene el cartucho de reemplazo con agua de la llave para permitir que ocurra un mejor flujo a partir del dispensador inmediatamente después de la instalación.
- 4 Alinee la flecha del cartucho y del soporte del cartucho. Coloque la parte superior del nuevo cartucho hacia arriba dentro del soporte. No empuje el cartucho hacia arriba a dentro del soporte.
- 5 Gire el cartucho lentamente hacia la derecha hasta que el cartucho se pare. **NO APRETAR MUY FUERTE.** Mientras está girándolo, el se alzará por sí mismo en su posición. El cartucho rotará aproximadamente 1/2 de vuelta.



Cartridge Holder

- 6 Deje correr el agua desde el dispensador por 3 minutos (aprox. 1½ galons) para aclarar el sistema y para prevenir salpicaduras.
- 7 Presione la tecla **WATER FILTER** en el dispensador y manténgala presionada durante tres segundos (en algunos modelos).

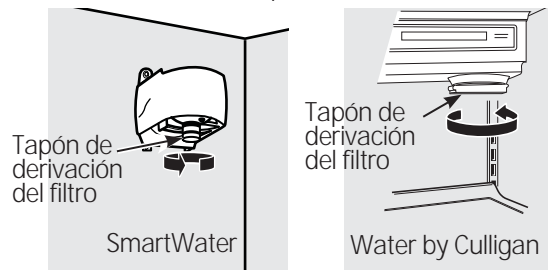


Reset  
Hold 3 Sec

**NOTA:** Un cartucho de filtro de agua recién instalado puede causar el agua de chorrear del dispensador.

### Tapón de derivación del filtro

Se debe usar el tapón de derivación del filtro cuando un cartucho de filtro de reemplazamiento no se puede encontrar. El dispensador y el dispositivo para hacer hielo no pueden funcionar sin el filtro o sin el tapón de derivación del filtro.



Tapón de derivación del filtro

SmartWater

Tapón de derivación del filtro

Water by Culligan

Para usar el tapón de derivación del filtro en los modelos Water by Culligan, primero debe quitar el adaptador del filtro del soporte del cartucho girándolo hacia la izquierda.

Para obtener el máximo beneficio de su sistema de filtración, GE recomienda que use los filtros de la marca SmartWater de GE únicamente. El uso de filtros de la marca GE en refrigeradores GE y Hotpoint brinda un óptimo funcionamiento y confiabilidad. Los filtros de la marca SmartWater de GE siempre son la elección correcta, ya que están patentados y diseñados específicamente para los productos GE. Los filtros SmartWater de GE cumplen con rigurosos estándares NSF de la industria sobre seguridad y calidad, que son importantes para los productos que están filtrando su agua. GE no posee filtros de la marca GE que no estén calificados para su uso en refrigeradores GE y Hotpoint, y no existe seguridad de que los filtros que no son de la marca GE cumplan con los estándares de GE en relación a calidad, funcionamiento y confiabilidad.

Si tiene preguntas, visite nuestro sitio web en [GEAppliances.com](http://GEAppliances.com), o llame al 1.800.GE.CARES (1.800.432.2737).

### Filtros de recambio:

Para pedir cartuchos adicionales en los Estados Unidos, visite nuestro sitio Web, [GEAppliances.com](http://GEAppliances.com), o llame a GE para partes y accesorios al 800.626.2002.

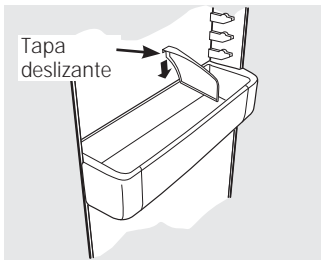
Consulte la etiqueta del filtro para el tipo de filtro a fin de (MWF o MSWF)

Los clientes en Canadá deben consultar las páginas amarillas más cercana para el Centro de Servicio de Mabe.

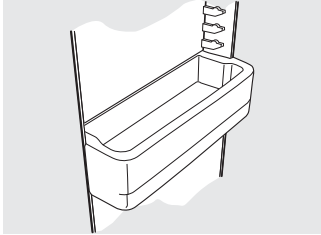


# Los entrepaños y recipientes del refrigerador.

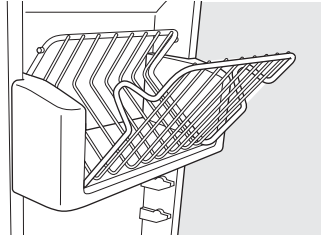
No todos los modelos tienen todas las características.



Recipiente del refrigerador



Recipiente de congelador



Recipiente inclinable del congelador

## Recipientes de puerta del refrigerador y recipientes inclinables de puerta de congelador

### Recipientes grandes

Los recipientes de la puerta del refrigerador y los recipientes inclinables de puerta de congelador más grandes son ajustables.

**Para extraerlos:** Levante la parte frontal del recipiente hacia arriba, luego levántelo y sáquelo.

**Para reemplazarlos o reubicarlos:** Ajuste la parte trasera del recipiente en los soportes moldeados de la puerta. Luego presione hacia abajo en la parte frontal del recipiente. El recipiente se ajustará en su sitio.

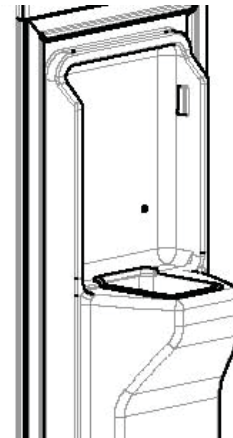
### Recipientes pequeños

**Para extraerlos:** Levante la parte frontal del recipiente hacia arriba, luego sáquelo.

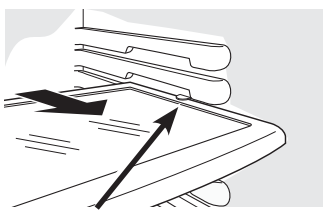
**Para reemplazarlos:** Sitúe el recipiente por encima de los soportes moldeados rectangulares en la puerta. Luego deslice el recipiente hacia abajo hacia el soporte para que se ajuste en su lugar.

La tapa deslizante ayuda a prevenir que un golpecito haga derramarse algo o que las cosas pequeñas guardadas en el interior del entrepaño de la puerta se caigan o resbalen. Ponga un dedo en cada lado de la tapa deslizante hacia la parte trasera y muévala hacia delante y hacia atrás para que se ajuste a sus necesidades.

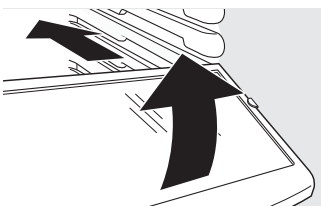
Recipiente superior del congelador



**PRECAUCIÓN:** Tenga cuidado cuando reemplace artículos en el recipiente superior. Cerciórese de que ningún artículo bloquee o caiga en el vertedor de hielo.



Press tab and pull shelf forward to remove



## Entrepaño deslizable a prueba de derramamientos

El entrepaño deslizable permite alcanzar artículos guardados atrás de otros. Los bordes especiales están diseñados para ayudar a prevenir derramamientos o goteos a los entrepaños que se encuentran más abajo.

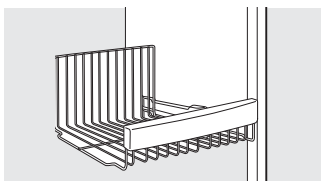
**Para reemplazarlos o reubicarlos:** Sitúe el entrepaño a la altura de las guías y deslícelo hacia su lugar. El entrepaño puede ser recolocado cuando la puerta esté a 90° o más. Para recolocar el entrepaño, deslice el entrepaño más allá de los toques y dele un ángulo hacia abajo. Deslice el entrepaño hacia

### Para sacarlos:

Deslice el entrepaño hacia fuera hasta que llegue al punto donde se atranca, luego apriete la lengüeta hacia abajo y deslice el entrepaño directamente hacia fuera.

abajo hasta llegar a la posición deseada, colóquelo en línea con los soportes y deslícelo en su lugar.

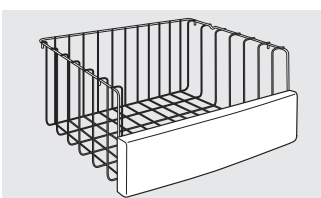
Asegúrese de haber empujado los entrepaños hasta el fondo antes de cerrar la puerta.



## Cestas de congelador (en algunos modelos)

**Para remover,** deslícelo hasta la posición tope, levante el frente más allá de la posición de tope, y deslícelo hacia afuera.

Asegúrese de haber empujado las cestas hasta el fondo antes de cerrar la puerta.



## Cestas de congelador (en algunos modelos)

**Para remover,** empuje la canasta totalmente hacia la parte posterior del congelador. Levante hasta que los pasadores posteriores sean desenganchados. Levante la canasta completa hacia arriba y hacia afuera.

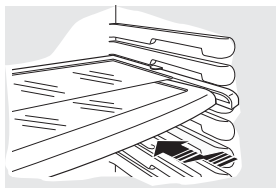
Asegúrese de haber empujado las cestas hasta el fondo antes de cerrar la puerta.



# Los entrepaños y recipientes del refrigerador.

GEAppliances.com

No todos los modelos tienen todas las características.



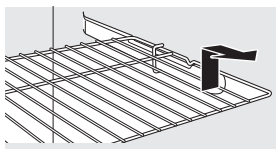
## Entrepaño QuickSpace™ (en algunos modelos)

Este entrepaño se divide en dos y la mitad se desliza debajo de sí mismo para guardar artículos muy altos ubicados en el entrepaño que se encuentra más abajo.

Este entrepaño se puede sacar y cambiar

y también puede reubicarse igual que los entrepaños deslizables a prueba de derramamientos.

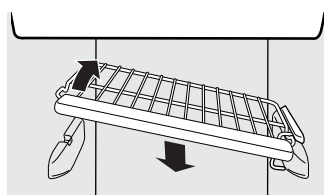
En algunos modelos, este entrepaño no puede usarse en la posición más baja.



## Entrepaños deslizantes del congelador

**Para remover,** deslícelo hasta la posición tope, levante el frente más allá de la posición de tope, y deslícelo hacia afuera.

Asegúrese de haber empujado los entrepaños hasta el fondo antes de cerrar la puerta.

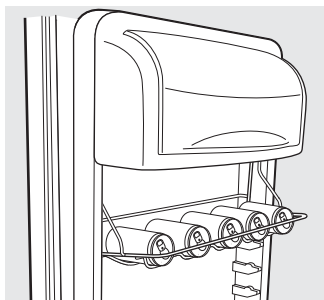


## Entrepaños fijos del congelador

**Para remover,** deslice el entrepaño hacia arriba en el lado izquierdo y entonces extraígallo del alojamiento.

### NOTA PARA LOS MODELOS CON DISPENSADORES:

Para aprovechar al máximo la inclinación para sacar el hielo del cubo, solamente almacene artículos en entrepaño debajo del cubo de hielo que no sean más altos que el punto inferior en el cubo.



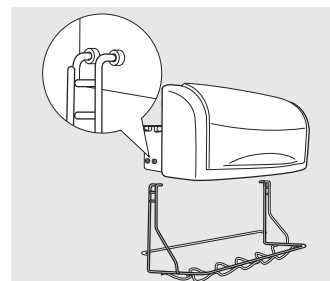
## Estante de vino/bebidas en la puerta (en algunos modelos)

Este estante sostiene hasta 5 latas, una botella de vino o una botella (2 litros) de refresco.

El estante cuelgan de los lados de la sección de productos lácteos.

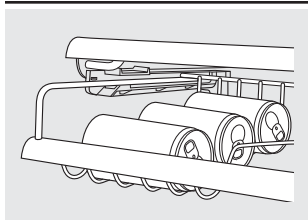
**Para remover:**

- 1 Vacíe el estante de vino/bebidas.
- 2 Sosteniendo el fondo de la sección de productos lácteos, levante el frente directamente hacia arriba, entonces levante y extraiga.
- 3 Para separar el estante de la sección de productos lácteos, extraiga los alambres laterales del estante por los agujeros en cada lado de la sección de productos lácteos.



**Para reemplazar:**

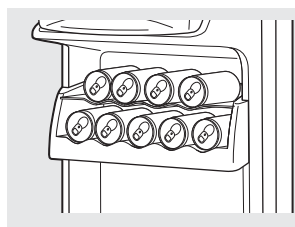
- 1 Pegue otra vez el estante a los lados de la sección de productos lácteos.
- 2 Encaje el lado posterior en los apoyos moldeados en la puerta. Luego empuje hacia abajo en el frente de la sección. La sección encajará en su lugar.



## Estante ShelfSaver™ (en algunos modelos)

Use este estante para guardar latas de bebidas con un fácil acceso

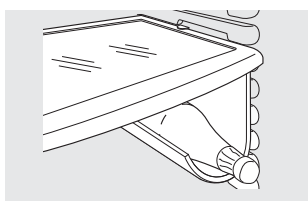
También se puede colocar un plato de horneado de 9" x 13".



## Estante de la Puerta para Latas (en algunos modelos)

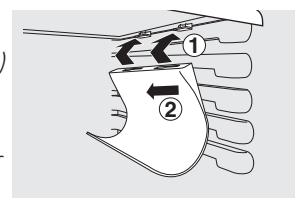
En este estante de la puerta se pueden ubicar hasta 9 latas.

**NOTA:** Este estante sólo puede ser montado en la posición superior debajo del recipiente de lácteos.



## Estante de Bebidas Extraíble (en algunos modelos)

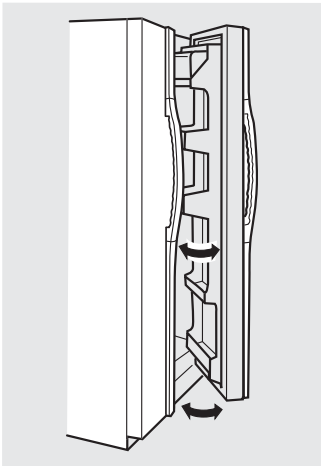
El estante de bebidas está diseñado para ubicar una botella sobre su costado. Se puede adherir a cualquier repisa deslizable



**Instalación:**

- 1 Alinee la parte más grande sobre las ranuras en la parte superior del estante con las lengüetas debajo de la repisa.
- 2 Luego vuelva a deslizar el estante para que quede bloqueado en su posición.

## Puertas del refrigerador.



La puerta se cerrará automáticamente sólo cuando está parcialmente abierta.

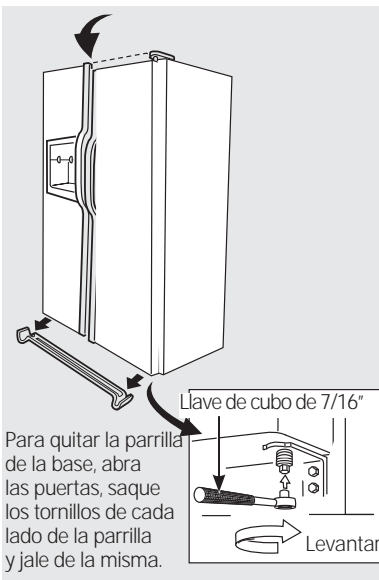
Más allá de la posición de tope de parada, la puerta permanecerá abierta.

### *Puertas del refrigerador (en algunos modelos)*

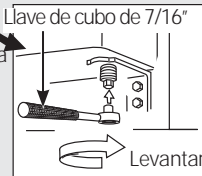
Es posible que Ud. note una diferencia entre el manejo de las puertas de su antiguo y nuevo refrigerador. La característica especial de abertura y cierre de las puertas asegura que estas cierren por completo y permanezcan selladas firmemente.

Cuando Ud. abre o cierre las puertas, notará una posición de tope de parada. Si la puerta es abierta más allá de este punto, permanecerá abierta permitiéndole así de meter y sacar alimentos del refrigerador con más facilidad. La puerta se cerrará automáticamente sólo cuando está parcialmente abierta.

La resistencia que Ud. puede notar en la posición de tope de parada es menor a medida que la puerta es cargada con alimentos.



Para quitar la parrilla de la base, abra las puertas, saque los tornillos de cada lado de la parrilla y jale de la misma.



### *Alineación de las puertas*

Si las puertas no están niveladas, ajuste le puerta de los alimentos frescos.

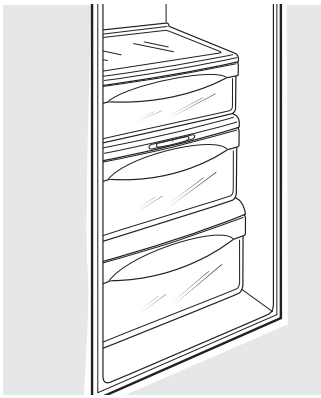
- 1 Usando una llave de cubo de 7/16", gire el tornillo de ajuste de la puerta hacia la derecha para elevar la puerta; gírelo hacia la izquierda para hacerla descender. (Un tapón de nylon está encajado en la rosca del pin para impedir que el pin gire a menos de que se use una llave.)

- 2 Después de una o dos vueltas con la llave, abra y cierre la puerta de los alimentos frescos y luego controle la alineación superior de las puertas.

## Sobre los cajones y recipientes.

GEAppliances.com

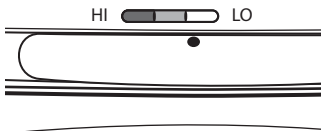
No todas las funciones corresponden a todos los modelos.



### Cajones de Frutas y Verduras

El exceso de agua que se puede acumular en la parte inferior de los cajones se deberá limpiar.

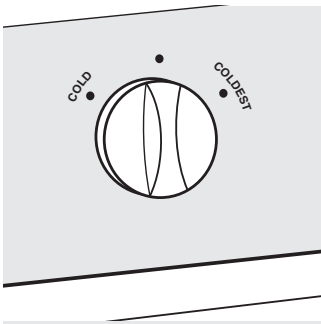
En algunos modelos, el cajón inferior se puede deslizar hasta alcanzar una extensión completa que permite un acceso completo al cajón.



### Cajones de Humedad Ajustables

Deslice el control hasta la configuración HI (Alto) a fin de brindar el alto nivel de humedad recomendado para la mayoría de las verduras.

Deslice el control hasta la configuración LO (Bajo) a fin de brindar el bajo nivel de humedad recomendado para la mayoría de las frutas.



### Recipiente de Embutidos Convertible (en algunos modelos)

El recipiente de embutidos convertible cuenta con su propio conducto de aire frío, a fin de permitir que una corriente de aire frío del compartimiento del freezer o del compartimiento del refrigerador fluya hasta el recipiente.

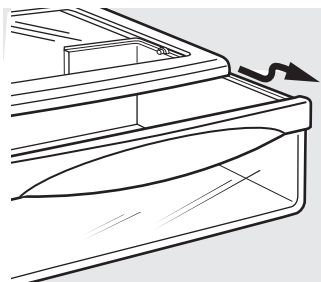
El control de temperatura variable regula el flujo de aire de la función Climate Keeper (Mantención del Clima).

Ajuste el control en la configuración más fría para guardar carnes frescas.

Configure el control en frío para convertir el recipiente a temperatura normal del refrigerador y proveer espacio adicional para verduras. El conducto de aire frío está apagado. Se pueden seleccionar configuraciones variables entre estos extremos.

## Sobre cómo retirar el cajón.

No todas las funciones corresponden a todos los modelos.



### Cómo Retirar el Cajón

El cajón se puede retirar fácilmente, empujando hacia afuera y levantando el mismo en la ubicación de detención.

Si la puerta le impide retirar los cajones, primero intente retirar los estantes de la puerta. Si esto no ofrece el espacio suficiente, el refrigerador se deberá girar hacia adelante hasta que la puerta se abra lo suficiente como para deslizar los cajones hacia afuera. En algunos casos, al girar el refrigerador hacia afuera, es posible que necesite mover el mismo hacia la izquierda o la derecha mientras lo hace girar.

## Acerca de la máquina automática.

Un refrigerador recién instalado puede necesitar entre 12 y 24 horas para empezar a hacer hielo.

### Máquina para hacer hielo automática

La máquina de hielo producirá siete cubos por ciclo- aproximadamente 100-130 cubos en un período de 24 horas, dependiendo de la temperatura del congelador, la temperatura ambiente, el número de aperturas de puertas y las condiciones de otro uso.

Si el refrigerador se usa antes de la toma de agua se hace a la máquina de hielo, ponga el interruptor en la posición **OFF**.

Cuando el refrigerador está conectado al suministro de agua, ponga el interruptor en la posición **ON**.

La máquina de hacer hielo se llenará de agua cuando se enfría a 15 ° F (-10 ° C). Un refrigerador recién instalado puede necesitar entre 12 y 24 horas para empezar a hacer hielo.

Usted escuchará un zumbido cada vez que la máquina de hielo se llena de agua.

Deseche las primeras tandas de hielo para permitir que la línea de agua para limpiar.

Asegúrese de que nada interfiera con el movimiento del brazo detector.

Cuando el contenedor se llene al nivel del brazo de llenado, la máquina de hielo dejará de producir hielo. Es normal que varios cubos para unirse entre sí.

Si el hielo no se usa con frecuencia, los cubos de hielo viejos se opacan, adquieren un sabor rancio y se contraen.

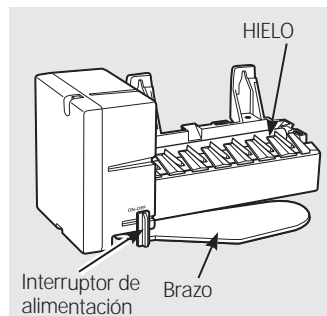
### Nota especial sobre los modelos de dispensadores

Algunos modelos tienen una inclinación de hielo-un contenedor de basura bin. The puede ser inclinado hacia afuera como se muestra en las ilustraciones, y se sostendrá por sí solo mientras usted extrae hielo o encienda la máquina de hielo encienden y se apagan. Asegúrese de poner la bandeja en su sitio antes de cerrar la puerta.

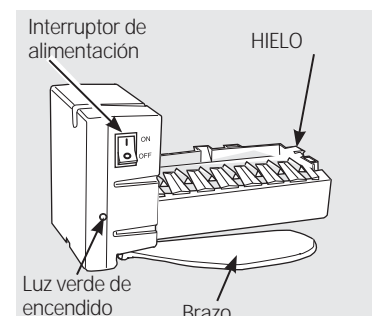
■ Para restaurar el nivel de hielo a partir de un envase vacío, los pasos que se recomiendan las siguientes:

- 1 12 horas después de la primera tanda de hielo ha caído en el cubo, dispensa de 3 a 4 cubos.
- 2 Después de un adicional de 6 horas, dispensa de 3 a 4 cubos de nuevo.

Estos pasos se restaurará el nivel de hielo en el menor tiempo posible.



(en algunos modelos)



(en algunos modelos)

### NOTA:

En los hogares con menores que la presión promedio del agua, es posible que escuche el ciclo de máquina de hielo varias veces al hacer un lote de hielo.

## Acceso al hielo y el logro de el interruptor de alimentación en los modelos dispensador

Hay dos tipos de estanterías de almacenamiento de hielo en los modelos con dispensador. Uno tiene un estante encima de el depósito, el otro no.

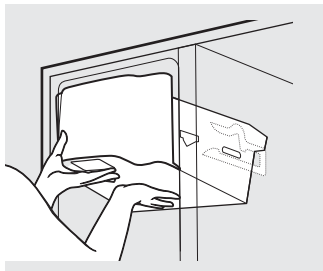
**Nota especial para los modelos con depósito de hielo de inclinación de salida:**

- Estos modelos tienen un depósito de hielo de inclinación hacia fuera. El contenedor puede ser inclinado hacia afuera como se muestra en las ilustraciones, y se sostendrá por sí mientras que extrae hielo o gire el interruptor de la máquina de hielos dentro y fuera. Asegúrese de poner la bandeja en su sitio antes de cerrar la puerta.

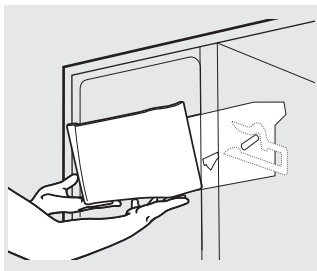
**NOTA:** ¡Con el fin de aprovechar al máximo el depósito de hielo de inclinación hacia fuera, sólo artículos de la tienda en el estante debajo del cubo de hielo que no sean más altos que el punto más bajo de la bandeja.

### Los modelos con inclinación a cabo el depósito de hielo

Para acceder a hielo y llegar al interruptor de la máquina de hielos :



- Levante el cubo, entonces tírelo hacia afuera hasta que el cubo se detenga.

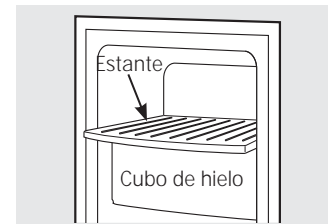


- Baje la bandeja de acceso al hielo o para alcanzar el interruptor de encendido.

### Los modelos con un estante encima del cubo de hielo

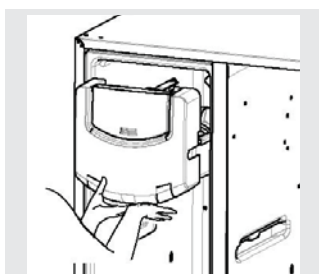


Para tener acceso al hielo, tire hacia adelante.

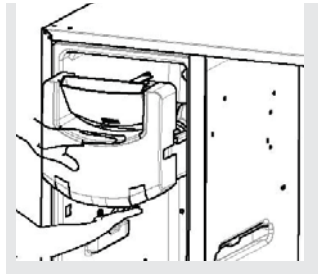


Para alcanzar el interruptor de alimentación, tire de la plataforma en línea recta. Siempre asegúrese de reemplazar la plataforma.

### En algunos modelos, para acceder a hielo o para alcanzar el interruptor de encendido:



- Tire de la bandeja hasta que el cubo se detenga.



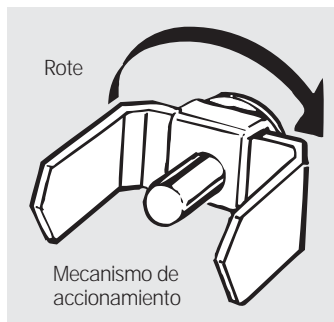
- Baje la bandeja de acceso al hielo o alcance el interruptor.

## Remueva el cubo de hielo (modelos de dispensadores)

**PRECAUCIÓN:** El cubo de hielo es pesado cuando está lleno.

Coloque el interruptor en la posición **OFF (apagado)** antes de remover el cubo.

**Cuando reemplace el cubo,** cerciórese de presionarlo firmemente en su lugar. Si no entra hasta el máximo, remuévalo y rote el mecanismo de accionamiento con una vuelta de 1/4. Entonces empuje el cubo hacia atrás otra vez.



Modelos con dispensador solamente

## El dispensador de agua y de hielo (en algunos modelos).



### Para usar el dispensador

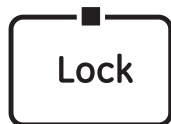
Seleccione **CUBED ICE** (cubos de hielo), **CRUSHED ICE** (hielo triturado) o **WATER** (agua).

Presione el vaso suavemente contra el brazo del dispensador.

El recogedor no se vacía solo. Para evitar las manchas de agua, el recogedor y la parrilla se deberán limpiar regularmente.

Si no hay distribución de agua cuando el refrigerador está primeramente instalado, hay posibilidad de aire en el sistema de la línea de agua. Oprima el brazo del dispensador durante al menos dos minutos para eliminar el aire atrapado de la línea de agua y llenar el sistema. Para eliminar las impurezas de la línea de agua, deseche los primeros seis vasos de agua.

**PRECAUCION:** No introduzca nunca los dedos ni otros objetos en la apertura del dispensador de hielo triturado.



### Para bloquear el dispensador

Presione la tecla **LOCK** (bloqueo) durante 3 segundos para cerrar el dispensador y el panel de control.

Para desbloquearlo, presione la misma tecla durante 3 segundos nuevamente.



### Dispenser Light (Luz del dispensador)

Esta tecla enciende y apaga la luz nocturna del dispensador. La luz también se enciende al presionar el brazo del dispensador. Si esta luz se funde debería reemplazarse con una bombilla de un máximo de 6 vatios 12V.



### Quick Ice (Hielo rápido) (en algunos modelos)

Cuando necesite hielo rápidamente, presione esta tecla para acelerar la producción de hielo. Esto incrementará la producción de hielo durante las próximas 48 horas o hasta que vuelva a presionar la tecla.



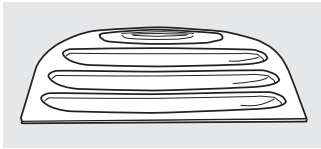
### Door Alarm (Alarma de puerta) (en algunos modelos)

Para ajustar la alarma, presione esta tecla hasta que la luz indicadora se encienda. Esta alarma sonará si cualquiera de la puerta estuviera abierta por más de 3 minutos. La luz y el sonido cesan automáticamente al cerrarse la puerta.

### Datos importantes de su dispensador

- No agregue hielo de charolas o de bolsas en el recipiente. Podría provocar que no salga bien o que no se triture adecuadamente.
- Evite los vasos demasiado llenos de hielo y el uso de vasos estrechos o demasiado altos. El hielo amontonado podría obstruir el orificio o hacer que se congele la puerta del orificio de manera que no se pueda abrir. Si hubiera hielo bloqueándolo, desprenda con una cuchara de madera.
- Las bebidas y los alimentos no se deberán enfriar rápidamente en el recipiente del hielo. Las latas, botellas o paquetes de comida en el recipiente de hielos podrían causar la obstrucción del dispositivo para hacer hielo o del recipiente.
- Para evitar que el hielo dispensado caiga fuera del vaso, ponga el vaso cerca, pero sin tocar, la apertura del dispensador.
- Un poco de hielo triturado puede surtir aunque había seleccionado CUBED ICE (cubos de hielo). Esto sucede en ocasiones cuando algunos cubos se canalizan en el triturador.
- Después de usar hielo triturado, un poco de agua puede gotear del vertedero.
- A veces, se formará un pequeño montón de nieve en la salida del hielo situada en la puerta. Esto es normal y, por regla general, sucede cuando ha dispensado hielo picado repetidamente. La nieve se evaporará por sí misma.





Área de goteo del dispensador

## Limpiar el exterior

**El pozo del dispensador**, por debajo de la parrilla, se debe mantener limpio y seco. El agua que se queda en el pozo puede dejar depósitos. Quite los depósitos agregando vinagre sin diluir al pozo. Remoje hasta que desaparezcan los depósitos o hasta que se desprendan lo suficiente para quitarlos.

**El brazo del dispensador.** Antes de limpiar, oprima y detenga la tecla **LOCK** (Bloqueo) durante 3 segundos. Se limpia con una solución de agua tibia y bicarbonato de sodio—aproximadamente una cucharada (15 ml) de bicarbonato de sodio por cada cuarto (1 litro) de agua. Enjuague completamente con agua y seque.

**Las manijas de la puerta y los ornamentos.** Se limpian con un paño humedecido con una solución de detergente suave y agua. Seque con un paño suave.

## Los paneles y las empuñaduras de las puertas de acero inoxidable

(en algunos modelos) pueden ser limpiados con un limpiador para acero inoxidable para usos comerciales. Un limpiador de acero inoxidable "spray-on" funciona mejor.

No utilice cera para electrodomésticos sobre el acero inoxidable.

**Mantenga limpio el terminado.** Limpie con un paño limpio ligeramente humedecido con cera para aparatos de cocina o un detergente suave y agua. Seque y pula con un paño limpio y suave.

*No limpie el refrigerador con un paño sucio para trastes ni con un paño húmedo. Estos podrían dejar residuos que afecten a la pintura. No use estropajos, limpiadores en polvo, blanqueadores ni limpiadores que contengan blanqueador, ya que estos productos podrían rayar y desprender el terminado de pintura.*

## Limpiar el interior

**Para evitar olores**, deje una caja abierta de bicarbonato de sodio en los compartimientos de alimentos frescos y del congelador.

**Desconecte el refrigerador antes de limpiarlo.** Si no fuera posible, exprima el exceso de humedad de la esponja o del paño cuando se limpie alrededor de botones, bombillas o controles.

Use agua caliente y una solución de bicarbonato de sodio—aproximadamente una cucharada (15 ml) de bicarbonato de sodio por cada cuarto (1 litro) de agua. Esta solución limpia y neutraliza olores. Enjuague y seque.

**El uso de cualquier solución de limpieza que no sea la recomendada, especialmente aquella que contienen destilados del petróleo, pueden agrietar o dañar el interior del refrigerador.**

*Evite limpiar los entrepaños de vidrio fríos con agua caliente, ya que la extrema diferencia de temperatura puede hacer que se quiebren. Maneje los entrepaños de vidrio con cuidado. Chocar vidrio templado puede hacer que se rompa en pedazos.*

*No lave partes plásticas del refrigerador en el lavaplatos.*

*La bandeja de Enfriar/Descongelar se puede lavar en el lavaplatos.*



## Cuidado y limpieza del refrigerador. (cont.)

### Atrás del refrigerador

Se deberá tener cuidado al retirar el refrigerador de la pared. Todos los tipos de recubrimiento de pisos se pueden dañar, sobre todo los recubrimientos acojinados y los que tienen superficies repujadas.

Jale el refrigerador en forma recta y empuje nuevamente para devolverlo a su posición. Mover el refrigerador en dirección

lateral puede causar daños al recubrimiento del piso o al refrigerador.

Al empujar el refrigerador a su lugar, asegúrese de no pasar sobre el cable eléctrico ni sobre la línea de alimentación del dispositivo para hacer hielos (en algunos modelos).

### Preparación para vacaciones

En el caso de vacaciones o ausencias prolongadas, quite los alimentos y desenchufe el refrigerador. Limpie el interior con solución de bicarbonato de una cucharada (15 ml) de bicarbonato por un cuarto (1 litro) de agua. Deje abiertas las puertas.

Coloque el interruptor de alimentación eléctrica del dispositivo automático para hacer hielo en

la posición OFF (apagado) y cierre el suministro de agua al refrigerador.

Si la temperatura pueda llegar al punto de congelación, haya una persona calificada para desaguar el sistema del suministro de agua (en algunos modelos) para evitar daños a la propiedad causados por inundación.

### En caso de mudanza

Asegure todos los elementos sueltos como entrepaños y recipientes pegándolos con cinta adhesiva en su lugar para evitar daños.

Al usar una carretilla para mover el refrigerador, no haga descansar la parte frontal o trasera del refrigerador contra la carretilla. Esto podría dañar el refrigerador.

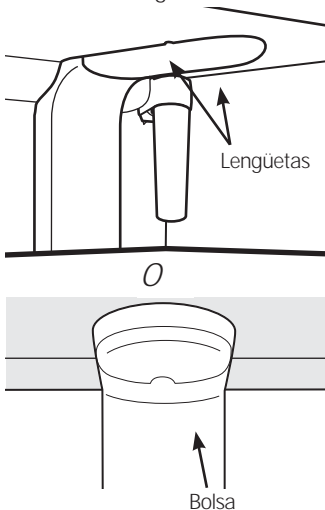
Manéjelo sólo desde los laterales del refrigerador.

Asegúrese de que el refrigerador se coloque en posición vertical durante la mudanza.

## Reemplazo de bombillas.(en algunos modelos)

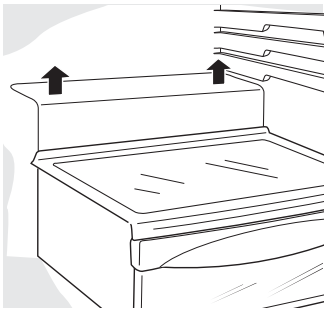
**NOTA:** Apagar el refrigerador con los controles del panel de control no deja sin corriente eléctrica al refrigerador.

Su cubierta de la luz paracerse a una de las siguientes:



### Compartimento del refrigerador—Luz superior

- 1 Desenchufe el refrigerador.
- 2 Las bombillas están situadas en la parte superior del compartimento, dentro de la cubierta de la luz. En algunos modelos, es necesario retirar un tornillo de la parte frontal de la cubierta de la luz. En otros modelos, retirar un tornillo en la bolsa en la parte posterior de la cubierta.
- 3 Para quitar la cubierta de la luz, en algunos modelos, presione las lengüetas de los lados de la cubierta y deslícelo hacia delante y hacia atrás. On otros modelos, sólo deslice la cubierta de la luz hacia delante y afuera.
- 4 Después de reemplazar la bombilla con otra bombilla de electrodomésticos del mismo o menos vatios, reemplace el protector de luz y el tornillo. Al reemplazar la cubierta de la luz, asegúrese de que las lengüetas de la parte trasera de la cubierta quepan en las ranuras de la parte trasera del emplazamiento de la cubierta de la luz.
- 5 Vuelva a enchufar el refrigerador a la corriente.



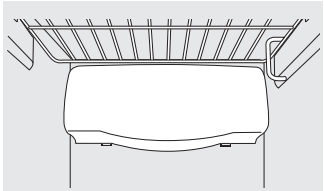
## Compartimento del refrigerador—Luz inferior

Esta luz está situada por encima de la gaveta superior.

- 1 Desenchufe el refrigerador.
- 2 Levante la cubierta de la luz y jale de ella.
- 3 Después de reemplazar la bombilla con una bombilla de electrodomésticos del

mismo voltaje o inferior, reemplace la cubierta y el mango.

- 4 Vuelva a enchufar el refrigerador a la corriente.



## Compartimento del congelador

- 1 Desenchufe el refrigerador.
- 2 Retire el entrepaño justo por encima de la cubierta de luz. (El entrepaño será más fácil de quitar si se vacía primero.) Remueva los tornillos de la parte superior del protector superior.
- 3 Para quitar la cubierta, presione en los lados y levántela hacia arriba y afuera.

- 4 Reemplace la bombilla con una bombilla de electrodomésticos del mismo voltaje o inferior, y reinstale la cubierta de la luz. Al reinstalar la cubierta de la luz, asegúrese de que las lengüetas superiores hacen clic en su lugar de forma segura. Vuelva a colocar el tornillo (en algunos modelos).

- 5 Vuelva a instalar el entrepaño y enchufe el refrigerador de nuevo.

## Dispensador (en algunos modelos)

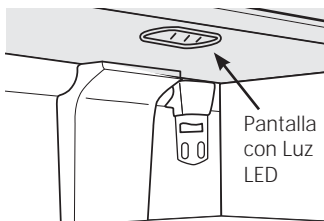
- 1 Desenchufe el refrigerador.
- 2 La bombilla está situada en el dispensador bajo el panel de control. Quite la bombilla girándola en sentido contrario a las agujas del reloj.

- 3 Cambie la bombilla por una bombilla del mismo tamaño y voltaje.

- 4 Vuelva a enchufar el refrigerador a la corriente.

# Sustitución de las luces en los modelos con iluminación LED

Colocar el control en **OFF** no quita la corriente del circuito de la luz. No todas las características están presentes en todos los modelos.



## Compartimento del refrigerador (en algunos modelos)

Hay un despliegue de luces LED en la parte superior y los lados del compartimento de alimentos frescos y en la parte trasera y laterales del compartimento del congelador en algunos modelos. ListenRead phonetically

Si esta asamblea debe ser sustituida, llame al servicio de GE en el 1.800.432.2737 en los Estados Unidos o en Canadá al 1.800.561.3344.

# Instrucciones para la Instalación

# Refrigerador

Modelos 22, 23, 25, 26, 27 & 29

¿Preguntas? Llame a 800.GE.CARES (800.432.2737) o Visite nuestro sitio web en: [GEAppliances.com](http://GEAppliances.com)  
En Canadá, llame al 1.800.561.3344 o Visite nuestro Sitio Web en: [www.geappliances.ca](http://www.geappliances.ca)

## ANTES DE COMENZAR

Lea estas instrucciones completamente y cuidadosamente.

- **IMPORTANTE** – Conserve estas instrucciones para uso del inspector local.
- **IMPORTANTE** – Cumpla con todos los códigos y ordenanzas gubernamentales.
- Nota para el Instalador – Asegúrese de que el Comprador conserve estas instrucciones.
- Nota para el Comprador – Conserve estas instrucciones para referencia futura.
- Nivel de habilidad – La instalación de este electrodoméstico requiere un nivel básico de habilidades mecánicas.
- Tiempo de Instalación – Instalación del Refrigerador 30 minutos  
– Instalación del Suministro de Agua 30 minutos
- La correcta instalación del producto es responsabilidad del instalador.
- Si se producen fallas en el producto debido a una instalación inadecuada la Garantía no cubrirá las mismas.

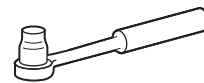
Si el refrigerador ya fue instalado, retire la parrilla de la base (consulte el Paso 2 en Cómo Mover el Refrigerador), luego consulte el Paso 5 en Cómo Instalar el Refrigerador.

## PREPARACIÓN

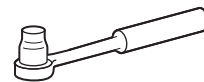
### SUMINISTRO DE AGUA PARA LA MÁQUINA DE HACER HIELO

Si el refrigerador cuenta con una máquina de hacer hielo, deberá ser conectada al suministro de agua fría. Un kit de suministro de agua de GE (que contenga tubería, válvula de cierre, uniones e instrucciones) está disponible por un costo adicional a nivel minorista, visitando nuestro sitio web en [GEAppliances.com](http://GEAppliances.com) (en Canadá en [www.geappliances.ca](http://www.geappliances.ca)) o en Piezas y Accesorios (Parts and Accessories), 800.626.2002 (en Canadá 1.800.661.1616).

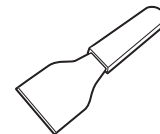
## HERRAMIENTAS NECESARIAS



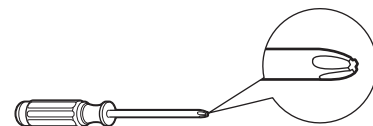
Cubos de 3/8" y 5/16"



Llaves de 1/2" y 7/16"



Espátula de Plástico



Destornillador con Cabeza Phillips

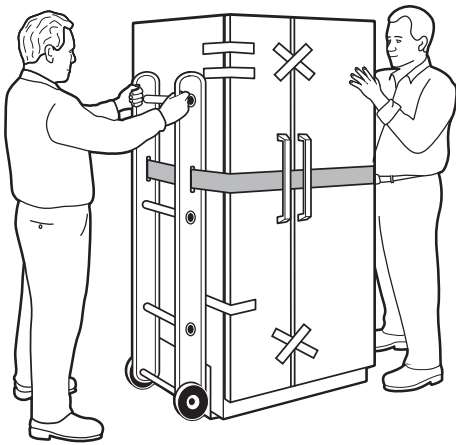
# Instrucciones para la instalación

## CÓMO MOVER EL REFRIGERADOR

### 1 CÓMO CARGAR EL REFRIGERADOR EN UNA CARRETILLA DE MANO

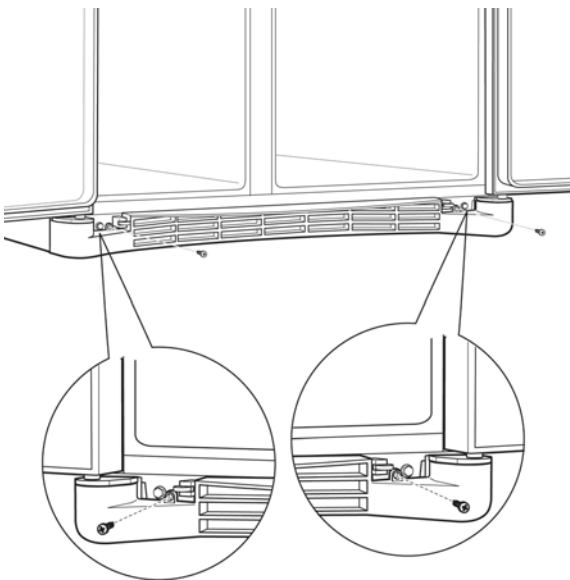
Deje toda la cinta adhesiva y las almohadillas hasta que el refrigerador llegue a su destino final.

Para mover el refrigerador use una carretilla de mano con almohadillas. Coloque el refrigerador en el centro de la carretilla y asegúrelo con un cinturón de seguridad alrededor del refrigerador. **NO LA APRIETE DEMASIADO.**



### 2 REMUEVA LA BASE DE LA PARRILLA

Remueva la parrilla removiendo los dos tornillos de cabeza Phillips.



Si el refrigerador debe pasar por alguna entrada menor de 38" de ancho, entonces las puertas pueden ser removidas. Proceda al paso 3.

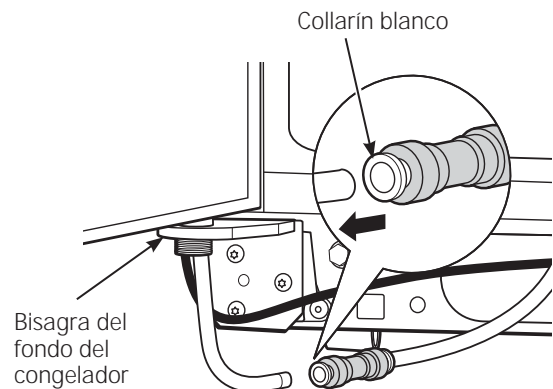
**NO REMUEVA las manijas.**

Si todas las entradas son más anchas de 38" pase a *Cómo instalar el refrigerador.*

### 3 DESCONECTE EL ACOPLAMIENTO DE AGUA (en algunos modelos)

Si el refrigerador tiene un dispensador de agua, eso significa que hay una línea de agua que viene desde el gabinete hacia la bisagra del fondo de la puerta del congelador que debe ser desconectada.

Para desconectarla, empuje hacia adentro sobre el collarín blanco del acoplamiento y entonces extraiga la tubería.



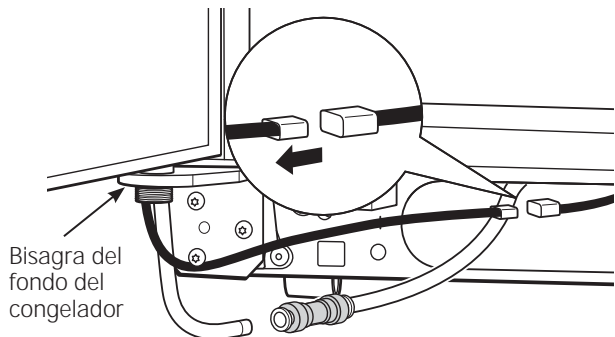
# Instrucciones para la instalación

## CÓMO MOVER EL REFRIGERADOR (CONT.)

### 4 DESCONECTE EL ACOPLAMIENTO ENERGÉTICO (en algunos modelos)

Si el refrigerador tiene un dispensador de agua, entonces hay una línea de suministro eléctrico (alambrado) que va desde el gabinete hacia la bisagra del fondo de la puerta que debe ser desconectado.

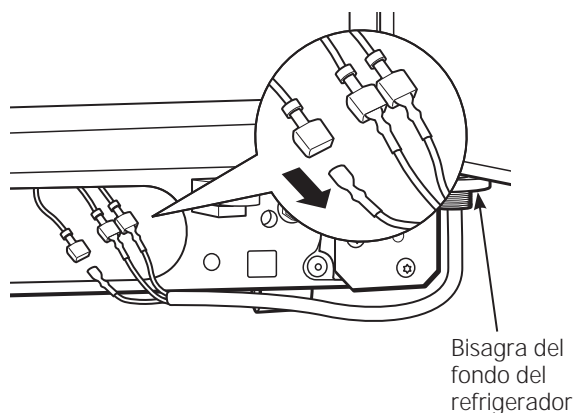
Para desconectar, separe el acoplador.



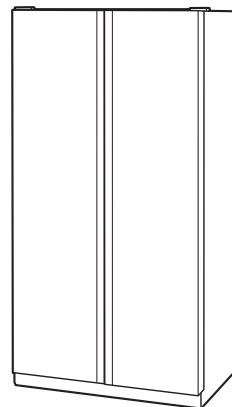
### 5 DESCONECTE LOS CONECTADORES ELÉCTRICOS (en algunos modelos)

Si el refrigerador tiene un centro para refrescar, entonces hay conectores eléctricos (alambrados), que van desde el gabinete hasta la bisagra del fondo del refrigerador, que deben ser desconectados.

Para desconectar, separe cada conector.

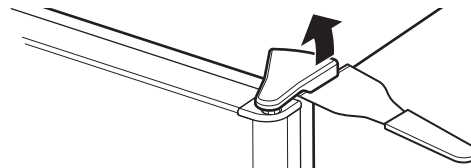


### 6 CIERRE LAS PUERTAS DEL CONGELADOR Y DEL REFRIGERADOR

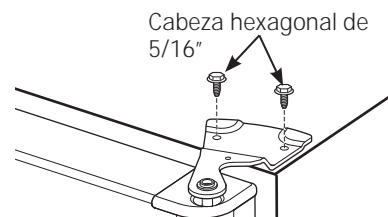


### 7 REMUEVA LA PUERTA DEL CONGELADOR

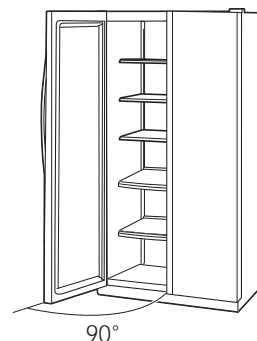
- A Remueva la cubierta de la bisagra de la puerta del congelador apretándola y levantándola o simplemente levantándola por uno de sus costados con una cuchilla plástica de masilla.



- B Remueva los dos tornillos a la cabeza hexagonal de 5/16," entonces levante la bisagra hacia arriba para liberarla del pasador de la bisagra.



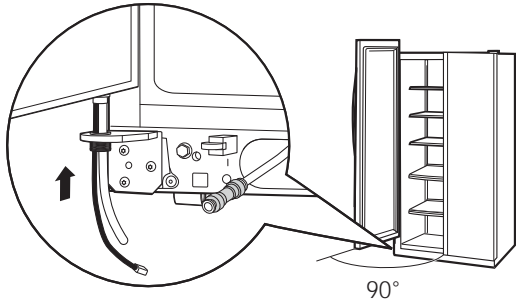
- C Abra la puerta del congelador a 90°.



# Instrucciones para la instalación

## 7 REMUEVA LA PUERTA DEL CONGELADOR (cont.)

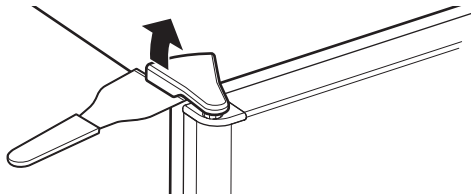
- D Mientras una persona levanta lentamente la puerta del congelador y la libera de la bisagra del fondo, una segunda persona debe, con cuidado, guiar la línea de agua y la línea energética (alambrado) a través de la bisagra del fondo.



- E Coloque la puerta en una superficie donde no se ralle con la parte interna hacia arriba.

## 8 REMUEVA LA PUERTA DEL REFRIGERADOR

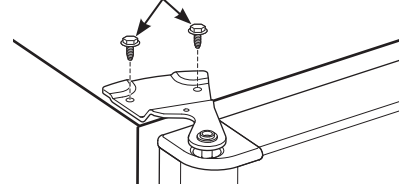
- A Remueva la cubierta de la bisagra de la puerta del refrigerador apretándola y levantándola o levantándola por uno de sus costados con una cuchilla plástica de masilla.



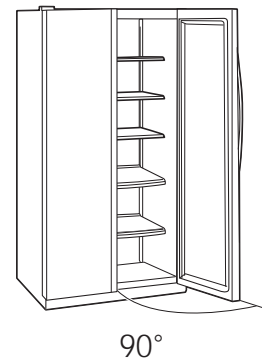
## 8 REMUEVA LA PUERTA DEL REFRIGERADOR (cont.)

- B Remueva los dos tornillos de cabeza hexagonal de 5/16", entonces levante la bisagra hacia arriba para liberarla del pasador de la bisagra.

Cabeza hexagonal de 5/16"



- C Abra la puerta del refrigerador a 90°

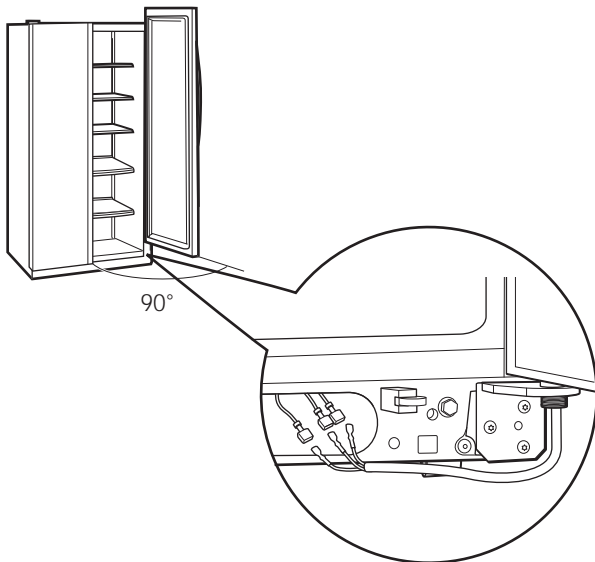


# Instrucciones para la instalación

## CÓMO MOVER EL REFRIGERADOR (CONT.)

### 8 REMUEVA LA PUERTA DEL REFRIGERADOR (cont.)

- D Levante la puerta del refrigerador y libérela de bisagra del fondo. Si el refrigerador tiene un centro para refrescar, una persona levanta lentamente la puerta del congelador y la libera de la bisagra del fondo, mientras una segunda persona, con cuidado, guía la línea de agua y la línea energética (alambrados) a través de la bisagra del fondo.



Modelos con Centro para Refrescar solamente

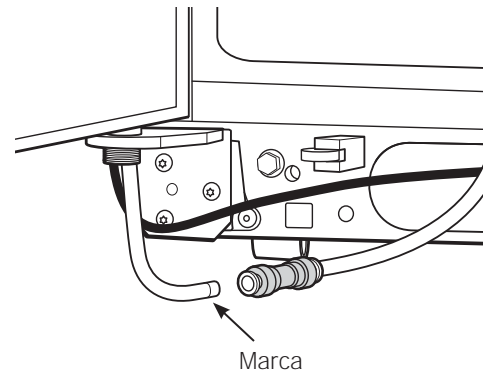
- E Coloque la puerta en una superficie donde no se ralle con la parte interna hacia arriba.

### 9 CÓMO REEMPLAZAR LAS PUERTAS

Para reemplazar las puertas simplemente de reversa a los pasos del 3 al 8.

Sin embargo, note lo siguiente:

- Cuando se encuentre bajando las puertas hacia la bisagra del fondo, cerciórese de que una segunda persona guíe, con mucho cuidado, la tubería y el alambrado a través de los agujeros de las bisagras.
- Cuando se encuentre conectando la línea de agua, cerciórese de insertar la tubería hasta el máximo indicado por la marca.



- No pellizque la tubería o el alambrado mientras se encuentre reemplazando las puertas en las bisagras del fondo.
- Cuando se encuentre conectando la línea energética, (en los modelos con centro para refrescar solamente), cerciórese de que los conectores están todos asentados juntos.



# Instrucciones para la instalación

## CÓMO INSTALAR EL REFRIGERADOR

### LOCALIZACIÓN DEL REFRIGERADOR

- No coloque el refrigerador donde la temperatura esté por debajo de 60° F (16° C) porque no operará con la suficiente frecuencia como para mantener las temperaturas apropiadas.
- No instale el refrigerador donde la temperatura esté por encima de 100° F (37° C) porque no funcionará apropiadamente.
- Instálelo en un piso suficientemente resistente como para soportar todo su peso.

### ESPACIO

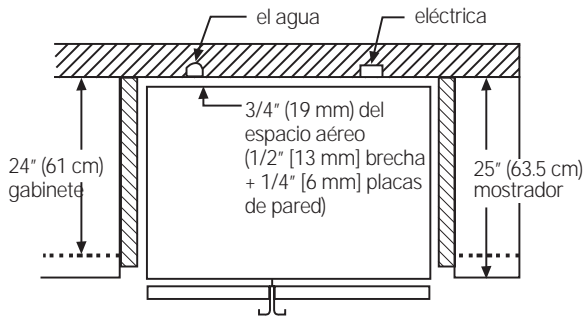
Permita los siguientes espacios para lograr una instalación fácil, una circulación apropiada del aire y conexiones eléctricas y de plomería.

Lados 1/8" (4 mm)

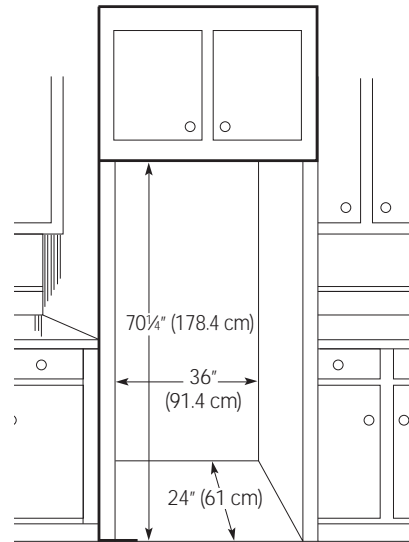
Superior 1" (25 mm)

Posterior 1" (25 mm)

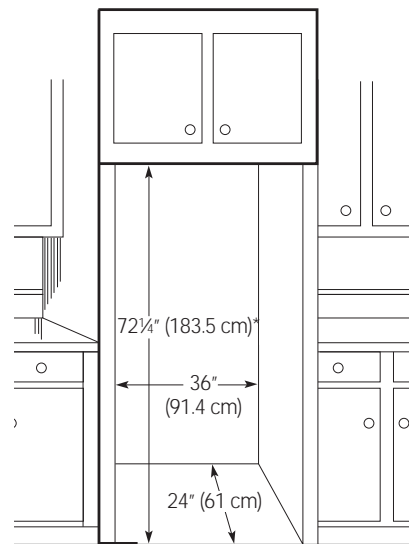
### DIMENSIONES Y ESPECIFICACIONES



### DIMENSIONES Y ESPECIFICACIONES (de 23 'CustomStyle modelos™)



### DIMENSIONES Y ESPECIFICACIONES (de 23 'CustomStyle modelos™)



\* 72 1/4" (183.5 cm) para un ajuste completo de las ruedas de la movilidad. Si los gabinetes instalados por encima del refrigerador con puertas que están al ras de la parte superior de la apertura a la nevera, a continuación, un adicional de 8.1" puede ser necesaria para proveer espacio para puertas de armarios para abrir libremente.

# Instrucciones para la instalación

## CÓMO INSTALAR EL REFRIGERADOR (CONT.)

### 1 CÓMO CONECTAR EL REFRIGERADOR A LA LÍNEA DE AGUA DE LA CASA (en los modelos con máquina de hielos y dispensador)

Se requiere un suministro de agua fría para la operación de la máquina de hielos y el dispensador. Si no existe un suministro de agua fría, usted necesitará hacer una. Ver la sección *Cómo instalar una línea de agua fría*.

#### NOTAS:

- Antes de hacer la conexión, cerciórese de que el cable eléctrico del refrigerador no esté conectado al interruptor de la pared.
- Si el refrigerador no tiene un filtro de agua, recomendamos que instale uno si su suministro de agua tiene arena o partículas que pudieran obstruir la pantalla de la válvula de agua del refrigerador. Instálo en la línea de agua cerca del refrigerador. Si usted está usando un kit de tubería de refrigeración GE SmartConnect™, usted necesitará una tubería adicional (WX08X10002) para conectar el filtro. No use tuberías plásticas para instalar el filtro.

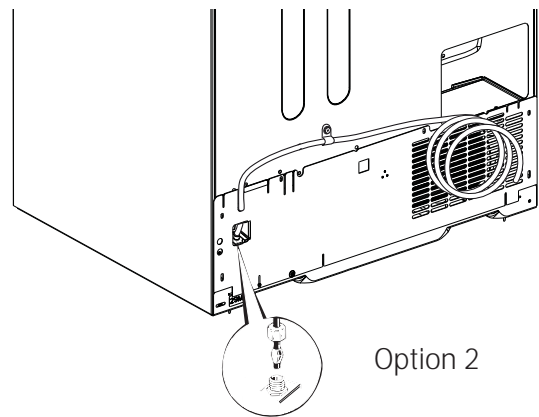
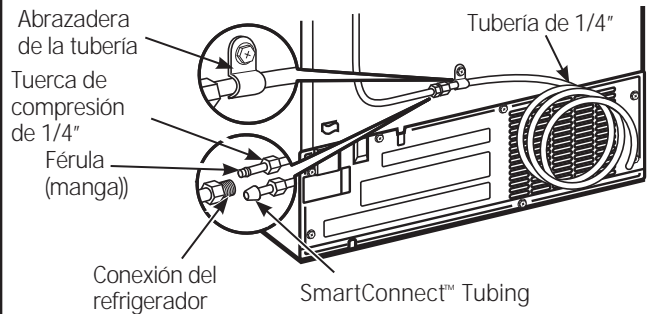
**A** Si usted está usando tubería de cobre, coloque una tuerca de compresión y un casquillo (manga) en el extremo de la tubería que viene del suministro de agua fría de la casa.

Si se encuentra usando tuberías de GE SmartConnect™, las tuercas están ya ensambladas a la tubería.

**B** Si está usando una tubería de cobre, inserte el extremo de la tubería en la conexión del refrigerador, en la parte posterior del refrigerador, hasta donde sea posible. Mientras sostiene la tubería, apriete el accesorio.

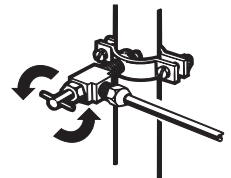
Si se encuentra usando tuberías de GE SmartConnect™, inserte el extremo moldeado de la tubería en la conexión del refrigerador en la parte posterior del refrigerador, y apriete la tuerca de compresión hasta que esté apretada a mano. Entonces apriete una vuelta adicional con una llave. Si la aprieta demasiado causará fugas.

**C** Apriete la tubería en la abrazadera proporcionada para sostenerla en su posición. Es posible que usted necesite levantar la abrazadera haciendo palanca.



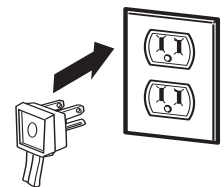
### 2 ACTIVE LA CONEXIÓN DE AGUA

Haga pasar la corriente de agua en la válvula de cierre (el suministro de agua de la casa) e inspeccione en busca de fugas.



### 3 CONECTE EL REFRIGERADOR

Antes de conectar el refrigerador cerciórese de que el interruptor de la máquina de hielos está colocada en la posición OFF (apagado). Ver la información adjunta sobre la conexión a tierra del cable eléctrico.



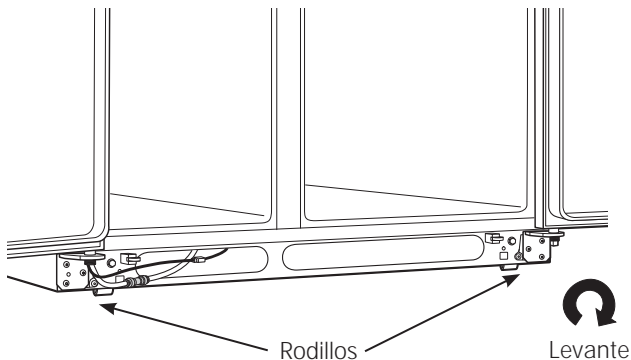
# Instrucciones para la instalación

## 4 COLOQUE EL REFRIGERADOR EN SU LUGAR

Mueva el refrigerador a su destino final.

## 5 CÓMO NIVELAR EL REFRIGERADOR

El refrigerador puede nivelarse ajustando los rodillos localizados cerca de las bisagras inferiores.

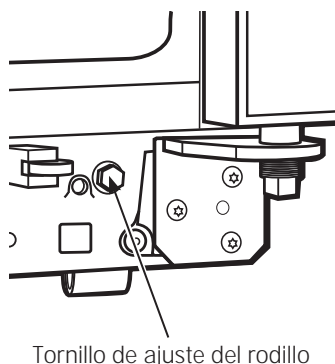


### Los rodillos tienen tres propósitos:

- Los rodillos se ajustan para que la puerta cierre con facilidad cuando esté medio abierta. (Levante el frente aproximadamente 5/8" [16 mm] del piso.)
- Los rodillos se ajustan para que el refrigerador esté colocado firmemente en el piso y no tambalee.
- Los rodillos se ajustan para que el refrigerador pueda ser alejado de la pared en momentos de limpieza.

### Para ajustar los rodillos:

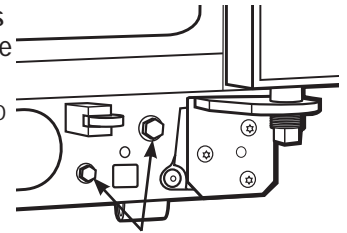
- Gire los tornillos de ajuste del rodillo en sentido de las agujas del reloj para levantar el refrigerador, y en contra de las agujas del reloj para bajarlo. Use una llave o un cubo de cabeza hexagonal de 3/8" o una llave ajustable.



## 5 CÓMO NIVELAR EL REFRIGERADOR (cont.)

Para ajustar las ruedas en 23' / 25' CustomStyle modelos™ :

Gire el rodillo delantero tornillos de ajuste hacia la derecha para aumentar la el refrigerador, a la izquierda para bajarlo. El uso de 3/8" llave hexagonal con extensión o una llave ajustable.



Estos modelos también tienen rodillos ajustables posteriores para que pueda alinear el refrigerador con los gabinetes de su cocina. El uso de 3/8" llave hexagonal con extensión para girar los tornillos de la parte trasera rodillos hacia la izquierda para levantar el refrigerador, a la izquierda para bajarlo.

## 6 NIVELES LAS PUERTAS

**A** Ajuste la puerta del refrigerador para que las puertas estén niveladas en la parte superior.

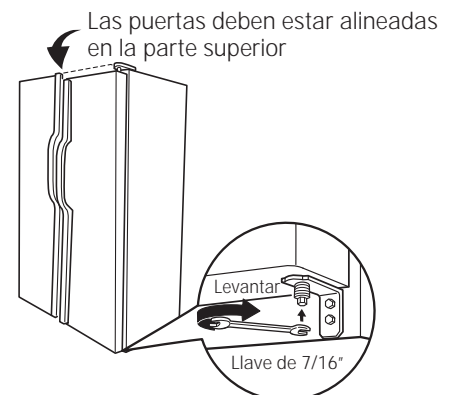
**B** Para linear:

Usando una llave de 7/16", gire el tornillo ajustable de la puerta hacia la derecha para levantar la puerta, y a la izquierda para bajarla.

### NOTA:

Un tapón de nilón, empotrado en las roscas del pasador, evita que el pasador gire a no ser que se use una llave.

Después de una o dos vueltas de la llave, abra y cierre la puerta del refrigerador y cerciórese de que están alineadas en la parte superior.

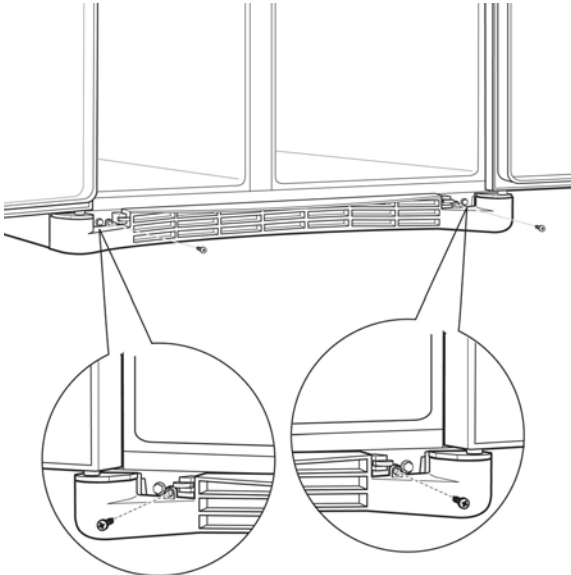


# Instrucciones para la instalación

## CÓMO INSTALAR EL REFRIGERADOR (CONT.)

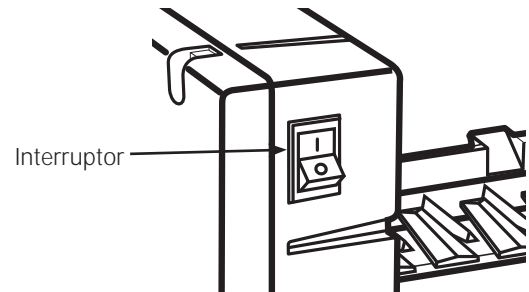
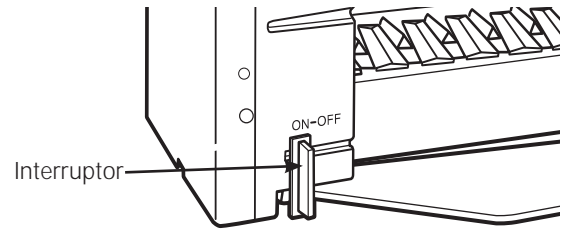
### 7 REEMPLACE LA PARRILLA DE LA BASE DE LA BASE

Reemplace la parrilla de la base instalando los dos tornillos de cabeza Phillips.



### 9 INICIE LA MÁQUINA DE HIELOS

Fije el interruptor de la máquina de hielos en la posición ON (encendido). La máquina de hielos no empezará a operar hasta que alcance su temperatura de operación de 15° F (-9° C) o menor. Luego, empezará a operar automáticamente. Será necesario de 2 a 3 días para que se llene el cubo de hielo.

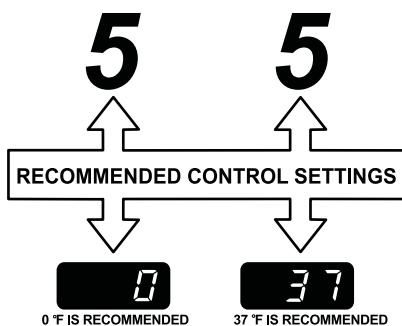


#### NOTA:

En condiciones de menor presión de agua, el agua válvula puede encenderse hasta 3 veces para suministrar suficiente agua para la máquina de hielo.

### 8 AJUSTE LOS CONTROLES

Ajuste los controles donde se recomienda.



# Instrucciones para la instalación

## CÓMO INSTALAR LA LÍNEA DE AGUA (EN MODELOS CON MÁQUINA DE HIELOS Y DISPENSADOR)

### ANTES DE COMENZAR

Los kits de cobre recomendados para el suministro de agua son WX8X2, WX8X3 o WX8X4, dependiendo de la cantidad de tubería necesaria. Las tuberías plásticas aprobadas para el suministro de agua son las tuberías para el refrigerador SmartConnect™ de GE (WX08X10006, WX08X10015 y WX08X10025).

Cuando se encuentre conectado el refrigerador a un Sistema de Osmosis de agua reverso de GE, el único kit de instalación aprobado es el RVKit. Para otros sistemas de osmosis de agua reversos, siga las instrucciones en el manual del fabricante.

Si el suministro de agua del refrigerador es de un Sistema de Filtración de Osmosis de Agua Reverso Y el refrigerador también tiene un filtro de agua, use el tapón de bypass del filtración. Usar el cartucho de filtración de agua del refrigerador además del filtro RO podría resultar en la formación de cubos de hielo huecos y en un flujo de agua más lento a partir del dispensador de agua.

Esta instalación de la línea de agua no está garantizada por el fabricante del refrigerador o de la máquina de helos. Siga estas instrucciones cuidadosamente para minimizar el riesgo de daños causados por el agua que puedan ser costosos.

Martilleo de agua (agua golpeando en las tuberías) en la plomería de la casa podría dañar las partes del refrigerador y traer consigo fugas de agua e inundación. Llame a un plomero calificado para que corrija este problema de martilleo antes de instalar la línea de suministro de agua hacia el refrigerador.

Para evitar quemaduras y daños al producto, no conecte la línea de agua fría con la línea de agua caliente.

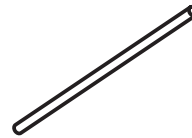
Si usted usa su refrigerador antes de conectar la línea de agua, cerciórese de que el interruptor de la máquina de helos está en la posición OFF (apagado).

No instale la tubería de la máquina de helos en áreas donde la temperatura baja por debajo de la temperatura de congelamiento.

Cuando use cualquier dispositivo eléctrico (como una taladradora, por ejemplo), durante la instalación, cerciórese de que tal dispositivo esté aislado doblemente o conectado a tierra de forma tal que se evite el peligro de electrocución, u operado por batería.

Todas las instalaciones deben ser hechas de acuerdo con los códigos y requisitos locales e plomería.

### LO QUE USTED NECESITARÁ



- El kit de cobre o de tubería de refrigeración o GE SmartConnect™, de 1/4" de diámetro para conectar el suministro de agua al refrigerador. Si se encuentra usando un kit de tuberías de cobre, cerciórese de que ambos extremos de la tubería son cuadrados.

Para determinar cuánta tubería necesitará: mida la distancia desde la válvula de agua hasta la parte posterior del refrigerador hasta el tubo de suministro de agua. Cerciórese de que existe suficiente tubería adicional para permitir el movimiento a partir de la pared.

Los kits GE SmartConnect™ de tubería de refrigerador están disponibles en las longitudes siguientes:

6' (1,8 m) – WX08X10006  
15' (4,6 m) – WX08X10015  
25' (7,6 m) – WX08X10025

# Instrucciones para la instalación

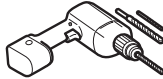
## CÓMO INSTALAR LA LÍNEA DE AGUA (CONT.)

### LO QUE USTED NECESITARÁ (CONT.)

**NOTA:** La única tubería plástica aprobada por GE es la que proporcionamos con el Kit SmartConnect™ para refrigeradores. No use ninguna otra tubería plástica para el suministro porque la línea estará bajo presión en todo momento. Ciertos tipos de tuberías plásticas se romperán y al pasar el tiempo desarrollarán grietas y el agua podría causar daños a la casa.

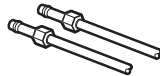
- **Un kit de suministro de agua GE** (contiene tubería, válvula de cierre y el accesorio mostrado más adelante) está disponible a un costo adicional si se pone en contacto con su distribuidor o con Partes y Accesorios llamándonos al 800.626.2002 (en Canadá 1.800.661.1616).
- **Un suministro de agua caliente.** La presión del agua debe ser de entre 20 y 120 p.s.i. (1,4–8,1 bar).

- **Taladradora eléctrica**



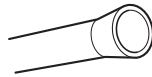
- **Llave ajustable o llave de 1/2".**

- **Destornilladores planos y Phillips.**

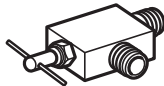


- **Dos tuercas de compresión de diámetro externo de 1/4" y 2 casquillos—para conectar la tubería de cobre a la válvula de cierre y a la válvula de agua del refrigerador.**

- Si se encuentra usando un kit SmartConnect™ de GE, los accesorios necesarios están preensamblados con la tubería.



- Si su línea de agua de cobre existente es ensanchada en el extremo, usted necesitará **un adaptador** (disponible en las tiendas de plomería) o conecte la línea de agua con el refrigerador **O** usted puede cortar la parte ensanchada del extremo del tubo con **un cortador de tubos** y entonces usar un accesorio de compresión. No corte un extremo formado por GE SmartConnect™ de la tubería del refrigerador.



- **Válvula de cierre** para conectar la línea de agua fría. La válvula de cierre debe tener una entrada de agua con un diámetro interno mínimo de 5/32" en el punto de conexión a la LÍNEA DE AGUA FRÍA. Válvulas de cierre tipo corona están incluidas en muchos kits de suministro de agua. Antes de comprar, cerciórese de que la válvula tipo corona cumple con los códigos de plomería de su localidad.

Instale la válvula de cierre en la línea de agua de tomar más cercana.

### 1 CIERRE EL SUMINISTRO DE AGUA PRINCIPAL

Abra el grifo más cercano lo suficiente como para aclarar la línea de agua.

### 2 ESCOJA LA LOCALIZACIÓN DE LA VÁLVULA

Escoja una localización para la válvula de fácil acceso. Es mejor conectarla a un costado de una tubería vertical. Cuando sea necesario conectarlo en una línea horizontal, cerciórese de que la conexión sea hecha en la parte superior o en el lado, en vez del fondo, para evitar la acumulación de sedimentos de la línea de agua.

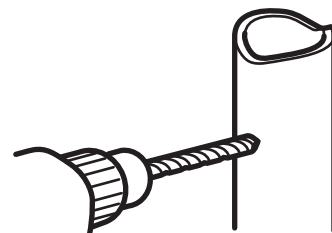


### 3 TALADRE UN AGUJERO PARA LA VÁLVULA

Taladre un agujero de 1/4" en la tubería de agua (aun si está usando una válvula autoperforadora), usando una broca filosa. Remueva cualquier rebaba que haya resultado del taladrado del agujero en la tubería.

Tenga cuidado de no permitir que el agua drene hacia el agujero.

No hacer un agujero de 1/4" podría resultar en una producción de agua reducida o en cubos de hielo menores.

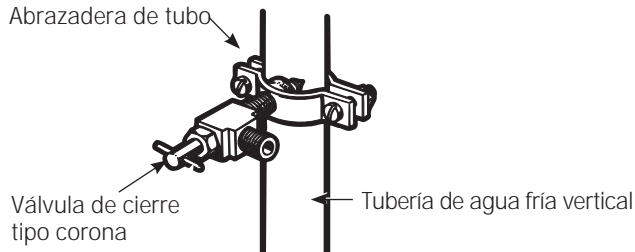




# Instrucciones para la instalación

## 4 APRIETE LA VÁLVULA DE CIERRE

Apriete la válvula de cierre a la tubería de agua fría con una abrazadera de tubo.

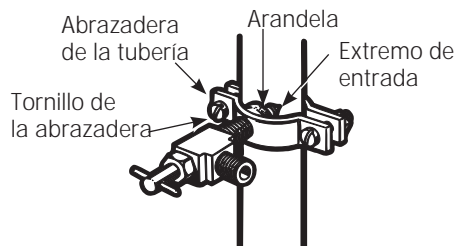


**NOTA:** Los códigos de plomería del estado de Massachusetts 248CMR deben ser obedecidos. Las válvulas de corona son ilegales y su uso no es permitido en Massachusetts. Póngase en contacto con un plomero licenciado.

## 5 APRIETE LA ABRAZADERA DE TUBO

Apriete los tornillos de la abrazadera hasta que la arandela de sello comience a ensancharse.

**NOTA:** No la apriete demasiado o podría romper la tubería.



## 6 CÓMO ORIENTAR LA TUBERÍA

Oriente la tubería entre la línea de agua fría y el refrigerador.

Oriente la tubería a través de un agujero taladrado en la pared o en el piso (detrás del refrigerador o en la base de un gabinete adyacente) tan cercano a la pared como sea posible.

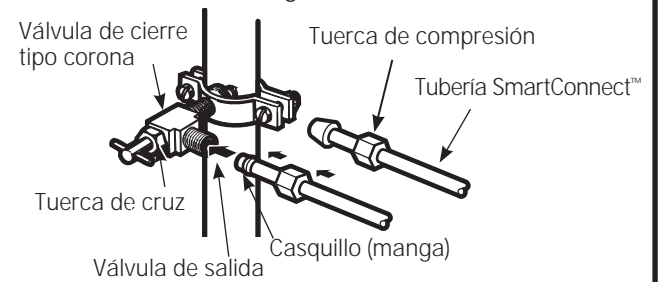
**NOTA:** Cerciórese de que existe suficiente tubería adicional para permitir que el refrigerador se mueva de la pared después de la instalación.

## 7 CÓMO CONECTAR LA TUBERÍA A LA VÁLVULA

Coloque la tuerca de compresión y el casquillo para tubería de cobre en el extremo de la tubería y conéctela con la válvula cierre.

Cerciórese de que la tubería está insertada completamente en la válvula. Apriete la tuerca de compresión con seguridad.

Para tuberías plásticas de un kit de tubería para refrigeradores SmartConnect™ GE, inserte el extremo moldeado de la tubería en una válvula de cierre y apriete la tuerca de compresión hasta que quede apretada a mano, entonces apriétela una vuelta adicional con la llave. Si la aprieta demasiado, causará fugas.



**NOTA:** Los códigos de plomería del estado de Massachusetts 248CMR deben ser obedecidos. Las válvulas de corona son ilegales y su uso no es permitido en Massachusetts. Póngase en contacto con un plomero licenciado.

## 8 ENJUAGUE LA TUBERÍA

Abra el suministro principal de agua y enjuague la tubería hasta que el agua esté totalmente limpia.

Cierre el suministro de agua en la válvula de agua cuando aproximadamente un cuarto (1 litro) haya salido a través de la tubería durante el enjuague.



Para completar la instalación del refrigerador, regrese al Paso 1 en *Cómo instalar el refrigerador*.



## Sonidos normales de operación.



Los refrigeradores más nuevos producen sonidos diferentes a los modelos más antiguos. Los refrigeradores modernos tienen más funciones y usan tecnología más reciente.

¿Usted escucha lo que yo escucho? Estos sonidos son normales.

### HUMMM... WHOOSH...

- El nuevo compresor de alta eficiencia puede funcionar más rápido y durar más que el de su refrigerador anterior y puede escuchar un zumbido de tono alto o un sonido pulsante mientras opera.
- A veces el refrigerador funciona por un período prolongado, especialmente cuando las puertas se abren continuamente. Esto significa que la función Frost Guard™ está en operación para impedir que el congelador se quemé y mejorar la preservación de los alimentos.
- Puede escuchar un sonido de soplido cuando las puertas se cierran. Esto se debe a que la presión se está estabilizando dentro del refrigerador.

### ¡WHIR!



- Puede escuchar los ventiladores moviéndose a gran velocidad. Esto pasa cuando el refrigerador se conecta por primera vez, cuando las puertas se abren frecuentemente o cuando se guarda gran cantidad de alimentos en el refrigerador o en los compartimientos del congelador. Los ventiladores están ayudando a mantener las temperaturas correctas.
- Si cualquiera de las puertas permanece abierta por más de 3 minutos, puede escuchar los ventiladores para enfriar los focos de luz.
- Los ventiladores cambian la velocidad para suministrar enfriamiento óptimo y ahorrar energía.

### CHASQUIDOS, ESTALLIDOS, CRUJIDO, GORJEOS

- Puede escuchar sonidos como de crujido o estallidos cuando el refrigerador se conecta por primera vez. Esto pasa a medida que el refrigerador se enfría hasta la temperatura correcta.
- Los reguladores electrónicos se abren y se cierran para ofrecer un enfriamiento óptimo y ahorrar energía.
- El compresor puede causar un chasquido o un gorjeo cuando intenta volver a arrancar (esto puede tomar hasta 5 minutos).
- El tablero de control electrónico puede causar un sonido de chasquido cuando se activa el relé para controlar los componentes del refrigerador.
- Expansión y contracción de las bobinas durante o después del ciclo de descongelación puede causar sonidos como de crujido o estallidos.
- En modelos con dispositivo de hielo, después de completar un ciclo de hacer hielo, se pueden escuchar los cubos de hielo cuando caen a la bandeja de hielos.

### SONIDOS DE AGUA



- El fluido del refrigerante a través de las bobinas puede producir un sonido de borboteo como de agua hirviendo.
- El agua que cae en el calentador de descongelación puede causar un chisporroteo, estallido o zumbido durante el ciclo de descongelación.
- Un ruido de agua cayendo se puede escuchar durante el ciclo de descongelación a medida que el hielo se derrite del evaporador y fluye hacia la bandeja de drenaje.
- El cierre de las puertas puede producir un sonido de gorgoteo debido a la estabilización de la presión.



Para información adicional acerca de los sonidos de operación de los dispositivos de hielo o de los dispensadores, ver las secciones Acerca del dispositivo automático para hacer hielo y Acerca del dispensador de hielo y agua.



Solucionar problemas  
¡Ahorre tiempo y dinero! Revise las tablas en las siguientes páginas y tal vez no necesitará de solicitar un servicio.

Problema	Causas Posibles	Qué hacer
<i>El refrigerador no funciona</i>	Refrigerador en ciclo de descongelar.	• Espere 30 minutos para que la descongelación se termine.
	Controles de temperatura en posición OFF (apagado).	• Mueva los controles de temperatura hasta un ajuste inferior de temperatura.
	El refrigerador esté desconectado.	• Empuje la clavija completamente en el enchufe.
	Fusible fundido/ interruptor de circuito roto.	• Reemplace el fusible o reajuste el interruptor.
	El refrigerador está en la condición de exhibición.	• Desconecte el refrigerador y conéctelo otra vez.
<i>Vibraciones o sacudidas (una vibración ligera es normal)</i>	Los rodillos requieren un ajuste.	• Vea Rodillos.
<i>El motor opera durante períodos prolongados o se arranca y se para con frecuencia. (Refrigeradores modernos con más espacio de almacenamiento y un congelador más grande requieren más tiempo de operación. Se arrancan y se paran a para mantener temperaturas uniformes.)</i>	Es normal cuando el refrigerador es recién instalado en su casa.	• Espere 24 horas para que el refrigerador se enfríe completamente.
	Ocurre cuando hay largas cantidades de alimentos en el refrigerador.	• Eso es normal.
	Se dejó abierta la puerta.	• Revise si un paquete mantiene la puerta abierta.
	Clima caluroso o aperturas frecuentes de la puerta.	• Eso es normal.
	Controles de temperatura ajustados al punto más frío.	• Vea Los controles.
<i>Compartimiento de refrigerador o congelador demasiado cálido</i>	El control de temperatura no se fijó bastante frío.	• Vea Los controles.
	Clima caluroso o aperturas frecuentes de la puerta.	• Fije el control de temperatura un paso más frío. Vea Los controles.
	Se dejó abierta la puerta.	• Revise si hay un paquete que mantiene la puerta abierta.
<i>Escarcha o cristales de hielo en alimentos congelados (escarcha en paquete es normal)</i>	Se dejó abierta la puerta.	• Revise si hay un paquete que mantiene la puerta abierta.
	La puerta se abre con frecuencia o por mucho tiempo.	
<i>El divisor entre el compartimiento de refrigerador y el congelador se siente tibio</i>	Ahorro automático de energía circula líquido tibio en la frente del congelador.	• Eso ayuda prevenir la condensación en el exterior.
<i>Los cubos tienen mal olor/sabor</i>	El recipiente para los cubos necesita limpieza.	• Vacíe y limpie el recipiente. Deseche los cubos.
	Alimentos transmitiendo olor/sabor a los cubos.	• Envuelva bien los alimentos.
	El interior del refrigerador requiere limpieza.	• Vea Cuidado y limpieza.

## Antes de solicitar un servicio...

<i>Problema</i>	<i>Causas Posibles</i>	<i>Qué hacer</i>
<i>Dispositivo automático para hacer hielo no funciona</i>	El interruptor de alimentación eléctrica del dispositivo automático para hacer hielo está en la posición OFF (apagado).	• Coloque el interruptor de alimentación eléctrica en la posición ON (encendido).
	El agua está cerrada o no está conectada.	• Ve a Instalar la línea de agua.
	El compartimiento del congelador es muy cálido.	• Espere 24 horas para que se enfríe el refrigerador.
	Cubos apilados en el recipiente apaga el dispositivo para hacer hielo.	• Nivele los cubos con la mano.
	Cubos de hielo atorados en dispositivo para hacer hielo.	• Apague el dispositivo de hielo, retire los cubos y vuelva a poner el dispositivo en marcha.
<i>Formación lenta del hielo</i>	Se dejó abierta la puerta.	• Revise si hay un paquete que mantiene la puerta abierta.
	El control de temperatura no es bastante frío.	• Ve a Los controles.
<i>Cubos pequeños o huecos</i>	Filtro de agua tapado.	• Reemplace el cartucho del filtro con uno nuevo o con el tapón.
<i>El dispensador de hielo no funciona (en algunos modelos)</i>	Dispositivo de hielo apagado o el agua está apagado.	• Enciende el dispositivo de hielo o el agua.
	Los cubos están pegados al brazo detector.	• Remueve los cubos.
	Un artículo está bloqueando o se ha caído dentro del vertedor de hielo dentro de la sección del congelador de la puerta superior.	• Remueva cualquier artículo que pueda estar bloqueando, o que se haya caído dentro del vertedor.
	<i>Bloques irregulares de hielo en el recipiente.</i>	• Rómpalos con los dedos y deseche los cubos restantes. • El congelador puede ser muy caliente. Ajuste el control a una posición más fría paso por paso hasta que no se formen bloques.
	El dispensador está BLOQUEADO (LOCKED).	• Presione la tecla LOCK (bloqueo) y manténgala presionada durante tres segundos.
<i>El agua tiene un sabor/olor malo (en algunos modelos)</i>	El dispensador de agua no se uso por mucho tiempo.	• Dispense el agua hasta que todo el sistema del agua se llene de nuevo.
<i>El agua en el primer vaso está tibia (en algunos modelos)</i>	Eso es normal con un refrigerador recién instalado.	• Espere 24 horas para que se enfríe el refrigerador.
	El dispensador de agua no se uso por mucho tiempo.	• Dispense el agua hasta que todo el sistema del agua se llene de nuevo.
	El sistema de agua se ha desaguado.	• <i>Espere algunas horas para que se enfríe el agua.</i>

<i>Problema</i>	<i>Causas Posibles</i>	<i>Qué hacer</i>
<i>El dispensador de agua no funciona (en algunos modelos)</i>	Suministro de agua apagado o no conectado.	• Vea Instalar la línea de agua.
	Filtro de agua tapado.	• Reemplace el cartucho del filtro o remueve el filtro y instale el tapón.
	Aire atrapado en el sistema del agua.	• Presione el brazo del dispensador por un par de minutos.
	El dispensador está BLOQUEADO (LOCKED).	• Presione la tecla LOCK (bloqueo) y manténgala presionada durante tres segundos.
<i>Se seleccionó CUBED ICE (HIELO EN CUBOS) pero se dispensó CRUSHED ICE (Hielo picado) (en algunos modelos)</i>	La última selección fue CRUSHED ICE (HIELO PICADO).	• Se quedaron unos cuantos cubos en el triturador de la selección anterior. Esto es normal.
<i>No sale agua pero el dispositivo (en algunos modelos) para hacer hielo funciona</i>	El agua en el depósito está congelada.	• Llame para servicio.
	El control de temperatura demasiado frío.	• Fije el control de temperatura hasta mas cálido.
<i>El agua chorrea del dispensador</i>	Cartucho del filtro recién instalado.	• Deje correr el agua desde el dipensador por 3 minutos (aprox. 1½ galóns).
<i>No sale agua y el dispositivo para hacer hielo no funciona</i>	Está tapada la línea de agua o la llave de paso.	• Llame a un plomero.
	Filtro de agua tapado.	• Reemplace el cartucho del filtro o remueve el filtro y instale el tapón.
	El dispensador está BLOQUEADO (LOCKED)	• Presione la tecla LOCK (bloqueo) y manténgala <i>presionada durante tres segundos.</i>
<i>El refrigerador huele</i>	Alimentos transmitiendo olores al refrigerador.	• Alimentos con olores fuertes deben estar tapados. • Guarde una caja de bicarbonato de sodio en el refrigerador; cámbiela cada tres meses.
	El interior requiere limpieza.	• Vea Cuidado y limpieza.
<i>Aire caliente a la base del refrigerador</i>	El aire fluye para enfriar el motor. En el proceso de refrigeración es normal que salga calor de la base del refrigerador. Algunos recubrimientos de piso estan sensitivos y se descoloran a estas temperaturas normales y seguras.	
<i>Brillo anaranjado en el congelador</i>	Calefactor de descongelación encendido.	• Eso es normal.
<i>El refrigerador nunca se apaga pero las temperaturas están bien</i>	El sistema de congelación mantiene al compresor funcionando durante la puerta está siendo abierta.	• Esto es normal. El refrigerador se apagará si la puerta permanece cerrada por 2 horas.
<i>La puerta no se cierre correctamente</i>	El sello de la puerta en el lado de la bisagra está pegado o doblado.	• Aplique parafina en la superficie frontal de la junta.

## Antes de solicitar un servicio...

<i>Problema</i>	<i>Causas Posibles</i>	<i>Qué hacer</i>
<i>Humedad en el exterior del refrigerador</i>	Normal en períodos con alto grado de humedad.	<ul style="list-style-type: none"> <li>• Seque la superficie.</li> </ul>
<i>Humedad en el interior (en clima húmedo el aire lleva la humedad al interior del refrigerador cuando se abren las puertas)</i>	Se abre la puerta con frecuencia o por mucho tiempo.	
<i>No funciona la luz interior</i>	No hay corriente en el contacto.	<ul style="list-style-type: none"> <li>• Reemplace el fusible o reajuste el interruptor.</li> </ul>
	Bombilla fundida.	<ul style="list-style-type: none"> <li>• Vea Reemplazar las bombillas.</li> </ul>
<i>Agua en el piso de la cocina o en el fondo del congelador</i>	Cubos atrapados en el orificio.	<ul style="list-style-type: none"> <li>• Empuje los cubos en el vertedero con una cuchara de madera.</li> </ul>
<i>El refrigerador está pitando</i>	La puerta está abierta.	<ul style="list-style-type: none"> <li>• Cierre la puerta.</li> </ul>
<i>La temperatura real no es igual a la temperatura establecida</i>	La unidad recientemente se conectó.	<ul style="list-style-type: none"> <li>• Permita que transcurran 24 horas para que el sistema se estabilice.</li> </ul>
	La puerta permaneció abierta por mucho tiempo.	<ul style="list-style-type: none"> <li>• Permita que transcurran 24 horas para que el sistema se estabilice.</li> </ul>
	Se introdujo comida tibia al refrigerador.	<ul style="list-style-type: none"> <li>• Permita que transcurran 24 horas para que el sistema se estabilice.</li> </ul>
	El ciclo de descongelamiento está en proceso.	<ul style="list-style-type: none"> <li>• Permita que transcurran 24 horas para que el sistema se estabilice.</li> </ul>

# Ficha Técnica de Funcionamiento

## Sistema de Filtración SmartWater-Cartucho de GE® MSWF

Este sistema fue evaluado y certificado en el modelo de filtro de GE MWF, de acuerdo con los Estándares 42 y 53 de NSF/ANSI para la reducción de las sustancias que figuran a continuación. La concentración de las sustancias indicadas en agua que ingresan al sistema fue reducida a una concentración inferior o igual al límite tolerable de agua que puede dejar el sistema, de acuerdo con lo especificado en el Estándar es 42 y 53 de NSF/ANSI\*. (Factores de seguridad incorporados para uso no medible).

### Estándar N° 42: Efectos estéticos

Parametros	USEPA MCL	Calidad del influente Concentración	Effluente		% de reducción		Reducción mínima necesaria
			Promedio	Maximo	Promedio	Minimo	
Chlorine Taste & Odor	—	2.0 mg/L ± 10%	0.06 mg/L	0.10 mg/L	97%	9.1%	≥ 50%
Particula**	—	at least 10,000 particles/mL	408,333	670,000	95.5%	89.4%	≥ 85%

### Estándar N° 53: Efectos sobre la salud

Parametros	USEPA MCL	Calidad del influente Concentración	Effluente		% de reducción		Concentration (mg/l) permise pour l'eau le système
			Promedio	Maximo	Proemio	Minimo	
Turbiditez	1 NTU****	11 ± 1 NTU****	0.38 NTU	0.5 NTU	96.5%	95.4%	0.5 NTU
Quistes***	99.95% Reduction	Minimum 50,000 L	< 1 #/L	4 #/L	> 99.99%	> 99.99%	99.95%
Plomo au pH 6.5	0.010 mg/L	0.15 mg/L ± 10%	< 1 ppb	< 1 ppb	99.3%	99.3%	0.010 mg/L
Plomo au pH 8.5	0.010 mg/L	0.15 mg/L ± 10%	3.1 ppb	9.0 ppb	98.0%	95.5%	0.010 mg/L
Mercurio at pH 6.5	0.002 mg/L	0.006 mg/L ± 10%	0.34 ppb	0.7 ppb	94.0%	89.6%	0.002 mg/L
Mercurio at pH 8.5	0.002 mg/L	0.006 mg/L ± 10%	0.66 ppb	1.5 ppb	88.4%	73.7%	0.002 mg/L
Lindane	0.0002 mg/L	0.002 mg/L ± 10%	< 0.02 ppb	< 0.02 ppb	> 99.0%	> 99.0%	0.0002 mg/L
Atrazine	0.003 mg/L	0.009 mg/L ± 10%	< 0.5 ppb	< 0.05 ppb	> 93.9%	> 94.3%	0.003 mg/L
2, 4-D	0.070 mg/L	0.210 mg/L ± 10%	7.7 ppb	35 ppb	96.0%	82.0%	0.070 mg/L
Toxaphene	0.003 mg/L	0.015 mg/L ± 10%	< 1 ppb	< 1 ppb	> 92.9%	> 92.9%	0.003 mg/L
Benceno	0.005 mg/L	0.015 mg/L ± 10%	< 0.5 ppb	< 0.5 ppb	> 96.8%	> 97.0%	0.005 mg/L
Carbofurano	0.040 mg/L	0.080 mg/L ± 10%	< 1 ppb	1 ppb	> 98.7%	> 98.7%	0.040 mg/L
P-Dichlorobenceno	0.075 mg/L	0.225 mg/L ± 10%	< 0.5 ppb	< 0.5 ppb	> 99.7%	> 99.8%	0.075 mg/L
Asbestos	99% Reduction	10 <sup>7</sup> to 10 <sup>8</sup> fibers/L; fibers > 10µm in length	< 0.17 MF/L	< 0.17 MF/L	> 99%	> 99%	99% Reduction

\*Tested using pressure of 60 psig; pH of 7.5 ± 0.5; temp of 68° ± 5°F (20° ± 2.5°C).

\*\*Measurement in Particles/mL. Particles used were 0.5-1 microns.

\*\*\*Basé sur l'utilisation des oocystes de Cryptosporidium parvum.

\*\*\*\*NTU=Nephelometric Turbidity Units

Capacidad de 300 gallons (1,135 liters). reducción de los contaminantes determinada por la evaluación de NSF.

### Pautas de Aplicación/Parámetros de Suministro de Agua

Flujo del Servicio	0.9 gpm (3.14 lpm)	Presión de Agua	40-120 psi (2.8-8.2 barra)
Suministro de Agua	Agua Potable	Temperatura del agua	33°F-100°F (0.6°C-38°C)

Es esencial que se cumpla con los requisitos de instalación, mantenimiento y reemplazo de filtros recomendados por el fabricante, a fin de que el producto funcione de acuerdo a como fue proporcionado. Para acceder a información sobre la Garantía, consulte el Manual de Instalación.

### Especificaciones de Funcionamiento

- Requisitos de presión: 40-120 psi (barra 2.8-8.2), sin descarga
- Temperatura: 33-100°F (0.6-38°C)
- Promedio de flujo: 0.9 gpm (3.14 lpm)

### Instalación General/ Funcionamiento /Requisitos de Mantenimiento

- Enjuague el cartucho Nuevo con un flujo de 20 1/2 Liters al máximo (unos cinco minutos) para purgar.
- Reemplace el cartucho cuando el flujo empiece a ser demasiado lento.
- Proteja del congelamiento retirando el cartucho del filtro cuando se espere que las temperaturas sean inferiores a 33°F (1°C). No instale sistemas en áreas donde la temperatura ambiente pueda ser superior a los 100° F o inferiores a 40° F. No instale en un suministro de agua caliente.

### Avisos Especiales

- Las instrucciones de instalación se incluyen con el producto cuando se envían.
- Este sistema de agua potable se deberá mantener de acuerdo con las instrucciones del fabricante, incluyendo el reemplazo de cartuchos de filtro.
- No se deben usar con agua que no sea microbiológicamente segura o de calidad desconocida sin una desinfección adecuada, antes o después, del sistema. Los sistemas certificados para la reducción de quistes se podrían usar en aguas desinfectadas que puedan contener quistes filtrables.

- Los contaminantes u otras sustancias eliminadas o reducidas por este sistema de tratamiento de agua no se encuentran necesariamente en su agua.
- Controle que se cumpla con las leyes y reglamentaciones estatales y locales aplicables.
- Observe que aunque la evaluación se realizó de acuerdo con condiciones estándares de laboratorio, el desempeño puede variar. Los sistemas se deben instalar y usar de acuerdo con los procedimientos y pautas recomendados por el fabricante.
- La instalación y uso DEBERÁN cumplir con todos los códigos de plomería estatales y locales. No se deberá instalar si la presión del agua supera los 120 psi. Si la presión del agua es superior a los 80 psi (552 KPa), deberá instalar una válvula limitadora de presión. Si no está seguro sobre cómo controlar la presión del agua, comuníquese con un plomero profesional.
- No instale cuando se puedan producir condiciones de golpe de ariete. Si existen condiciones de golpe de ariete, deberá instalar un suspensor de golpes de ariete. Si no está seguro sobre cómo controlar esta condición, comuníquese con un plomero profesional.
- Cuando haya instalado un dispositivo anti retorno en el sistema de agua, se deberá instalar un dispositivo para controlar la presión debido a la expansión termal.

Evaluado y Certificado por NSF International en cumplimiento con los Estándares 42 y 53 de NSF/ANSI para el modelo GE MWF para la reducción de:

#### Estándar N° 42: Efectos Estéticos

- Químico
  - Gusto y Olor a cloro
- Filtración Mecánica
  - Reducción de Partícula, Clase

#### Estándar N° 53: Efectos sobre la Salud

- Reducción Química
  - Reducción de Plomo y Lindano
  - Reducción de Atrazina
  - Reducción de Endrina
  - Reducción de Benceno y Carbofurano
  - Diclóbenzeno 1,4 y Reducción de 2,4 D
- Filtración Mecánica
  - Reducción de Mercurio y Toxafeno
  - Reducción de Quistes y Asbestos



GE  
Appliances  
Appliance Park  
Louisville, KY 40225  
geapplianceparts.com



© 2010 GE Company PC612788



# Ficha Técnica de Funcionamiento

## Sistema de Filtración SmartWater™—Cartucho GE MWF

La concentración de las sustancias indicadas en el agua que ingresa al sistema fue reducida a la concentración menor que o igual al límite permisible para el agua que deja el sistema, como se especifica en NSF/ANSI Estándar 42 y Estándar 53. Sistema evaluado y certificado por NSF International contra NSF/ANSI Estándar 42 y Estándar 53 para la reducción de las sustancias que figuran a continuación.

### Capacidad de 300 galones (1.135 litros). Reducción de Contaminantes Determinada por la evaluación de NSF.

Sustancia Evaluada para la Reducción	Concentración Promedio	Concentración Máxima Especificada por NSF	% Promedio de Reducción	Promedio de Concentración del Agua Procesada	Concentración Máxima Autorizada Aceptable de Agua Procesada	Requisitos de Reducción de NSF	Informe de Evaluación de NSF
Gusto y Olor a Cloro	2.0 mg/L	2.0 mg/L ± 10%	97.5%	0.05 mg/L	N/A	≥ 50%	J-00077703
Partícula Nominal Clase I, ≥0.5 a < 1.0 µm	7,833,333 pts/mL	Por lo menos 10,000 partículas/mL	99.7%	18,617 pts/mL	N/A	≥85%	J-00077704
Quiste*	101,000 cysts/L	Mínimo de 50,000 quistes/L	99.99%	1 quistes/L	N/A	≥99.95%	J-00100036
Asbestos	47 MF/L	107 a 108 fibras/L; fibras superiores a 10µm de longitud	>99%	<1 MF/L	N/A	≥99%	J-00077707
Atrazina	0.009 mg/L	0.009 mg/L ± 10%	94.5%	0.0005 mg/L	0.003 mg/L	N/A	J-00077708
Benceno	0.016 mg/L	0.015 mg/L ± 10%±	96.7%	0.0005 mg/L	0.005 mg/L	N/A	J-00077717
Carbofurano	0.08 mg/L	0.08 mg/L ± 10%	98.7%	0.001 mg/L	0.04 mg/L	N/A	J-00077718
Endrina	0.007 mg/L	0.006 mg/L ± 10%	97.1%	0.0002 mg/L	0.002 mg/L	N/A	J-00100039
Plomo en pH 6.5	0.152 mg/L	0.15 mg/L ± 10%	99.3%	0.001 mg/L	0.010 mg/L	N/A	J-00077722
Plomo en pH 8.5	0.148 mg/L	0.15 mg/L ± 10%	99.3%	0.001 mg/L	0.010 mg/L	N/A	J-00077723
Lindano	0.002 mg/L	0.002 mg/L ± 10%	99.0%	0.00002 mg/L	0.0002 mg/L	N/A	J-00077726
Mercurio en pH 6.5	0.0058 mg/L	0.006 mg/L ± 10%	93.2%	0.0004 mg/L	0.002 mg/L	N/A	J-00100037
Mercurio en pH 8.5	0.0061 mg/L	0.006 mg/L ± 10%	93.2%	0.0004 mg/L	0.002 mg/L	N/A	J-00092355
P-Diclorobenceno	0.222 mg/L	0.225 mg/L ± 10%	99.8%	0.005 mg/L	0.075 mg/L	N/A	J-00077729
Tetracloroetileno	0.015 mg/L	0.015 mg/L ± 10%	96.7%	0.0005 mg/L	0.005 mg/L	N/A	J-00082184
Toxafeno	0.015 mg/L	0.015 mg/L ± 10%	93.2%	0.001 mg/L	0.003 mg/L	N/A	J-00077730
2,4-D	0.218 mg/L	0.210 mg/L ± 10%	99.5%	0.0009 mg/L	0.07 mg/L	N/A	J-00085470

\*Basado en el uso de *Cryptosporidium parvum* oocysts.

Los siguientes reclamos de reducción farmacéutica no fueron certificados por NSF International ni por el Estado de California.

Reclamos evaluados y verificados por un laboratorio independiente:

Reducción de contaminantes	Concentración Promedio	Concentración Máxima Especificada por NSF	% Promedio de Reducción	Promedio de Concentración del Agua Procesada	Concentración Máxima Autorizada Aceptable de Agua Procesada	Requisitos de Reducción de NSF	Informe de Evaluación de NSF
Atenolol	978 ng/L	N/A	99.5%	5.0 ng/L	N/A	N/A	J-00121587
Fluoxetina	907 ng/l	N/A	99.4%	5.4 ng/L	N/A	N/A	J-00121587
Ibuprofeno	885 ng/L	N/A	94.1%	52.3 ng/L	N/A	N/A	J-00121588
Progesterona	1097 ng/L	N/A	99.5%	5.0 ng/L	N/A	N/A	J-00121589
Trimetoprima	415 ng/L	N/A	99.5%	2.0 ng/L	N/A	N/A	J-00121587

### Pautas de Aplicación/ Parámetros de Suministro de Agua

Flujo de Servicio	0.5 gpm (21.9 lpm)
Suministro de Agua	Agua Potable

Presión del Agua	40-120 psi (2.8-8.2 bar)
Temperatura del agua	33°F-100°F (0.6°C-38°C)

Es esencial que se cumpla con los requisitos de instalación, mantenimiento y reemplazo de filtros recomendados por el fabricante, a fin de que el producto funcione de acuerdo a como fue promocionado. Para acceder a información sobre la Garantía, consulte el Manual de Instalación.

**Nota:** Observe que aunque la evaluación se realizó de acuerdo con condiciones estándares de laboratorio, el desempeño puede variar. Cartucho de Reemplazo: MWF. Para conocer costos estimados de elementos de reemplazo, comuníquese al 1-800-626-2002 o visite nuestro sitio web en [www.geapplianceparts.com](http://www.geapplianceparts.com).

### ⚠️ ADVERTENCIA

A fin de reducir el riesgo asociado con la ingestión de contaminantes:

- No se deben usar con agua que no sea microbiológicamente segura o de calidad desconocida sin una desinfección adecuada, antes o después, del sistema. Los sistemas certificados para la reducción de quistes se pueden usar en aguas desinfectadas que puedan contener quistes filtrables. Establecimiento de EPA Número 10350-MN-005.

Para conocer las condiciones de uso, reclamos médicos certificados por el California Department of Public Health (Departamento de Salud Pública de California), consulte la ficha técnica de rendimiento. Certificación del California Department of Public Health (Departamento de Salud Pública de California) n° 05-1698. Los contaminantes u otras sustancias eliminadas o reducidas por este filtro de agua no están necesariamente en el agua de todos los usuarios.

### AVISO

A fin de reducir el riesgo asociado con daños sobre la propiedad debido a pérdidas de agua:

- La instalación y uso **DEBERÁN** cumplir con todos los códigos de plomería estatales y locales.
- No se deberá instalar si la presión del agua supera los 120 psi (8.2 bar). Si la presión del agua es superior a los 80 psi, se **deberá** instalar una válvula limitadora de presión. Si no está seguro sobre cómo controlar la presión del agua, comuníquese con un plomero profesional.
- No instale cuando se puedan producir condiciones de golpe de ariete. Si existen condiciones de golpe de ariete, **deberá instalar** un suspensor de golpes de ariete. Si no está seguro sobre cómo controlar esta condición, comuníquese con un plomero profesional.
- No instale en líneas de suministro de agua caliente. La temperatura máxima de funcionamiento del agua para este sistema de filtro es de 100°F (38°C).
- **Proteja el filtro de heladas.** Drene el filtro cuando las temperaturas sean inferiores a 33°F (0.6°C).
- El cartucho del filtro descartable **deberá** ser reemplazado cada 6 meses luego de un uso normal, o antes si se produce una reducción notoria en el caudal.



Sistema evaluado y certificado por NSF International contra NSF/ANSI Estándar 42 y Estándar 53 en el modelo GE MWF para la reducción de los reclamos especificados en la ficha técnica de rendimiento.



*Notas...*

---

# Garantía del refrigerador. (Para clientes en los Estados Unidos)



Todos los servicios de garantía los proporcionan nuestros Centros de Reparación de Fábrica o nuestros técnicos Customer Care® autorizados. Para concertar una cita de reparación, en línea, visite nos al [GEAppliances.com](http://GEAppliances.com), o llame al 800.GE.CARES (800.432.2737). Cuando llame para solicitar servicio, por favor tenga a mano el número de serie y el número de modelo.

Grape aquí su recibo. Se requiere facilitar prueba de la fecha de compra original para obtener un servicio bajo la garantía.

**Por el período de:** **GE reemplazará:**

## MODELOS GE, GE PROFILE y GE C afe:

### Un a o

A partir de la fecha de la compra original

Cualquier parte del refrigerador que falle debido a defectos en los materiales o en la fabricaci n. Durante esta garant a limitada de un a o, GE tambi n proporcionar , sin costo alguno, toda la mano de obra y el servicio relacionado para reemplazar partes defectuosas.

### Treinta d as

(Filtro de agua, si incluido)  
A partir de la fecha de la compra original del refrigerador

Cualquier parte del cartucho del filtro de agua que falle debido a defectos en los materiales o en la fabricaci n. Durante esta garant a limitada de treinta d as, GE tambi n proporcionar , sin costo alguno, un cartucho de filtro de agua de repuesto.

## MODELOS DE GE PROFILE, y GE C afe SOLAMENTE:

**Cinco a os** (Modelos de GE Profile solamente)  
A partir de la fecha de la compra original

Cualquier parte del sistema sellado de refrigeraci n (compresor, condensador, evaporador y tuber as de conexi n) que fallen debido a defectos en los materiales o fabricaci n. Durante esta garant a limitada de cinco a os del sistema sellado de refrigeraci n, GE tambi n proporcionar , sin costo alguno, toda la mano de obra y el servicio relacionado para reemplazar partes defectuosas en el sistema sellado de refrigeraci n.

## Lo que GE no cubrir :

- Viajes de servicio a su hogar para ense arle c mo usar el producto.
- Instalaci n o entrega inapropiada, o mantenimiento impropio.
- Fallas del producto si hay abuso, mal uso, o uso para otros prop sitos que los propuestos, o uso para fines comerciales.
- P rdida de alimentos por aver as.
- Reemplazo de fusibles de su hogar o reajuste de interruptores de circuito.
- Causar da os despu s de la entrega.
- Reemplazo del cartucho del filtro de agua, si incluido, debido a presi n de agua afuera de las l mites de operaci n especificados o sedimento excesivo en el suministro de agua.
- Reemplazo de las bombillas, si incluidas, o del cartucho de filtro de agua, si incluido, diferente a como se especifica anteriormente.
- Da o al producto causado por accidente, fuego, inundaciones o actos de Dios.
- Da o incidental o consecuencial causado por posibles defectos con el aparato.
- Producto no accesible para facilitar el servicio requerido.

**EXCLUSI N DE GARANT AS IMPL CITAS**—Su  nico y exclusivo derecho es la reparaci n del producto, tal y como se indica en esta Garant a limitada. Cualquier garant a impl cita, incluyendo las garant as impl citas de comerciabilidad o adecuaci n para un fin determinado, est n limitadas a un a o o el per odo de tiempo m s breve permitido por la ley.

Esta garant a se extiende al comprador original y cualquier comprador posterior de productos comprados para uso residencial dentro de Estados Unidos. Si el producto est  situado en un  rea que no dispone de servicio por parte de un proveedor de servicio autorizado de GE, podr a tener que hacerse cargo de los costes de env o o bien podr a solicit rsele que lleve el producto a una centro de servicio de GE autorizado para realizar la reparaci n. En Alaska, la garant a excluye el costo de env o o las visitas de servicio a su casa.

Algunos estados no permiten la exclusi n o las limitaciones de da os incidentales o consecuenciales. Esta garant a da derechos legales espec ficos, y usted podr a tener otros derechos que variar n de estado a estado. Para saber cu les son sus derechos legales, consulte a la oficina de asuntos del consumidor local o la oficina del Attorney General en su localidad.

Garante: General Electric Company. Louisville, KY 40225

## Servicio al consumidor.

---



### *Página Web de GE Appliances*

*GEAppliances.com*

¿Tiene alguna pregunta sobre su electrodoméstico? ¡Pruebe la página Web de GE Appliances, cualquier día del año! Para mayor conveniencia y servicio más rápido, ya puede descargar los Manuales de los Propietarios, pedir piezas o incluso hacer una cita en línea para que vengan a realizar una reparación.



### *Solicite una reparación*

*GEAppliances.com*

El servicio de expertos GE está a tan sólo un paso de su puerta. ¡Entre en línea y solicite su reparación cuando le venga bien cualquier día del año! O llame al 800.GE.CARES (800.432.2737) durante horas normales de oficina.



### *Real Life Design Studio (Estudio de diseño para la vida real)*

*GEAppliances.com*

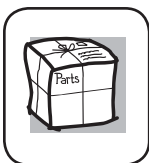
GE apoya el concepto de Diseño Universal—productos, servicios y ambientes que pueden usar gente de todas las edades, tamaños y capacidades. Reconocemos la necesidad de diseñar para una gran gama de habilidades y dificultades físicas y mentales. Para más detalles sobre las aplicaciones de GE Diseño Universal, incluyendo ideas de diseño para la cocina para personas con discapacidades, mire nuestra página Web hoy mismo. Para personas con dificultades auditivas, favor de llamar al 800.TDD.GEAC (800.833.4322).



### *Garantías ampliadas*

*GEAppliances.com*

Compre una garantía ampliada y obtenga detalles sobre descuentos especiales disponibles mientras su garantía está aún activa. Puede comprarla en línea en cualquier momento, o llamar al (800.626.2224) durante horas normales de oficina. GE Consumer Home Services estará aún ahí cuando su garantía termine.



### *Piezas y accesorios*

*GEApplianceparts.com*

Aquellos individuos con la calificación necesaria para reparar sus propios electrodomésticos pueden pedir que se les manden las piezas o accesorios directamente a sus hogares (aceptamos las tarjetas VISA, MasterCard y Discover). Haga su pedido en línea hoy, 24 horas cada día o llamar por teléfono al 800.626.2002 durante horas normales de oficina.

*Las instrucciones descritas en este manual cubren los procedimientos a seguir por cualquier usuario. Cualquier otra reparación debería, por regla general, referirse a personal calificado autorizado. Debe ejercerse precaución ya que las reparaciones incorrectas pueden causar condiciones de funcionamiento inseguras.*



### *Póngase en contacto con nosotros*

*GEAppliances.com*

Si no está satisfecho con el servicio que recibe de GE, póngase en contacto con nosotros en nuestra página Web indicando todos los detalles así como su número de teléfono o escribanos a:

General Manager, Customer Relations  
GE Appliances, Appliance Park  
Louisville, KY 40225



### *Registre su electrodoméstico*

*GEAppliances.com*

¡Registre su nuevo electrodoméstico en línea—cuando usted prefiera! El registrar su producto a tiempo le proporcionará, si surgiera la necesidad, una mejor comunicación y un servicio más rápido bajo los términos de su garantía. También puede enviar su tarjeta de registro pre-impresa que se incluye en el material de embalaje o recorte y use el formulario de este Manual del Propietario.

## Consumer Support.

---



### *GE Appliances Website*

In the U.S.: **GEAppliances.com**

Have a question or need assistance with your appliance? Try the GE Appliances Website, any day of the year! For greater convenience and faster service, you can now download Owner's Manuals, order parts or even schedule service on-line.

In Canada: [geappliances.ca](http://geappliances.ca)



### *Schedule Service*

In the U.S.: **GEAppliances.com**

Expert GE repair service is only one step away from your door. Get on-line and schedule your service at your convenience any day of the year! Or call 800.GE.CARES (800.432.2737) during normal business hours.

In Canada, call 1.800.561.3344



### *Real Life Design Studio*

In the U.S.: **GEAppliances.com**

GE supports the Universal Design concept—products, services and environments that can be used by people of all ages, sizes and capabilities. We recognize the need to design for a wide range of physical and mental abilities and impairments. For details of GE's Universal Design applications, including kitchen design ideas for people with disabilities, check out our Website today. For the hearing impaired, please call 800.TDD.GEAC (800.833.4322).

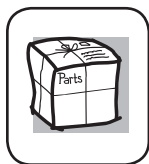
In Canada, contact: Manager, Consumer Relations, Mabe Canada Inc.  
Suite 310, 1 Factory Lane  
Moncton, N.B. E1C 9M3



### *Extended Warranties*

In the U.S.: **GEAppliances.com**

Purchase a GE extended warranty and learn about special discounts that are available while your warranty is still in effect. You can purchase it on-line anytime, or call 800.626.2224 during normal business hours. GE Consumer Home Services will still be there after your warranty expires. In Canada, call 1.888.261.2133



### *Parts and Accessories*

In the U.S.: **GEApplianceparts.com**

Individuals qualified to service their own appliances can have parts or accessories sent directly to their homes (VISA, MasterCard and Discover cards are accepted). Order on-line today, 24 hours every day or by phone at 800.626.2002 during normal business hours.

**Instructions contained in this manual cover procedures to be performed by any user. Other servicing generally should be referred to qualified service personnel. Caution must be exercised, since improper servicing may cause unsafe operation.**

Customers in Canada should consult the yellow pages for the nearest Mabe service center, or call 1.888.261.3055.



### *Contact Us*

In the U.S.: **GEAppliances.com**

If you are not satisfied with the service you receive from GE, contact us on our Website with all the details including your phone number, or write to:

General Manager, Customer Relations  
GE Appliances, Appliance Park  
Louisville, KY 40225

In Canada: [geappliances.ca](http://geappliances.ca), or write to: Director, Consumer Relations, Mabe Canada Inc.  
Suite 310, 1 Factory Lane  
Moncton, N.B. E1C 9M3



### *Register Your Appliance*

In the U.S.: **GEAppliances.com**

**Register your new appliance on-line—at your convenience!** Timely product registration will allow for enhanced communication and prompt service under the terms of your warranty, should the need arise. You may also mail in the pre-printed registration card included in the packing material. In Canada: [geappliances.ca](http://geappliances.ca)