

Instruction manual
Инструкция по эксплуатации

Mini oven press BR2601
Мини-печь-пресс BR2601



СОДЕРЖАНИЕ

EN.....	3
DE.....	10
RU.....	19
KZ.....	28

MINI OVEN BR2601

An electric mini oven can be used not only for making toasts, but also for preparing a wide range of dishes.

DESCRIPTION

1. Ventilation openings
2. Mini-oven body
3. Display
4. Power cord holder
5. Power cord
6. Control panel
7. Support legs
8. Skewer drive
9. Convection fan
10. Glass door
11. Door handle
12. Crumb tray
13. Bottom heating elements
14. Flat rack
15. Baking/drip tray
16. Baking rack
17. Rack/tray installation places
18. Skewer support
19. Top heating elements
20. Skewer installation place in the support (18)
21. Skewer
22. Clamp for food (2 pcs.)
23. Clamp screw (2 pcs.)
24. Skewer installation place in the drive (8)
25. Skewer grip
26. Skewer holder handle

Display

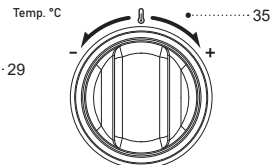
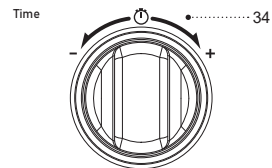
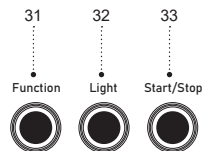
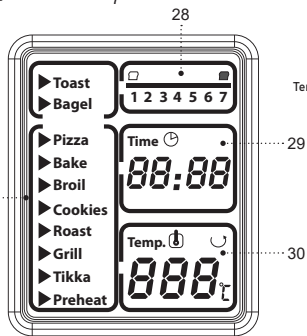
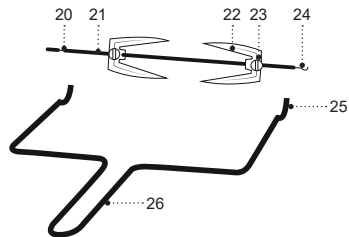
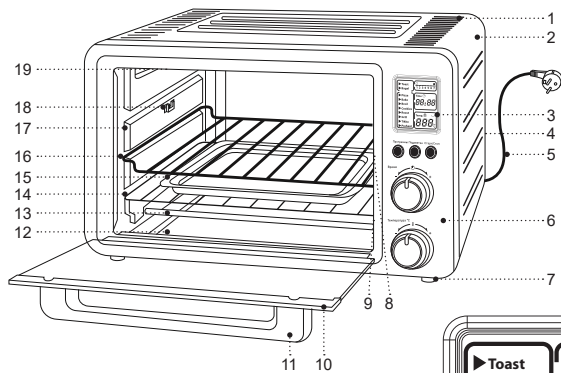
27. Cooking programs
28. Additional cooking programs
29. Operation time digital symbols
30. Temperature digital symbols

Control panel

31. Cooking program selection button «PROGRAM»
32. Illumination on/off button «LIGHTING»
33. Mini-oven on/off button «START/STOP»
34. Operation time setting knob «TIME»
35. Temperature setting knob «TEMPERATURE °C»

ATTENTION!

For additional protection it is reasonable to install a residual current device (RCD) with nominal operation current not exceeding 30 mA into the mains. To install RCD, contact a specialist.



SAFETY MEASURES AND OPERATION RECOMMENDATIONS

Read the operation manual carefully before using the press Miniöfen; after reading, keep it for future reference.

- Use the press mini oven for its intended purpose only, as specified in this manual.
- Mishandling the mini oven can lead to its breakage and cause harm to the user or damage to the user's property, which is not covered by warranty.
- Make sure that the operating voltage of the unit indicated on the label corresponds to your home mains voltage.
- Connect the power plug to the socket with reliable grounding contact.
- Do not connect the unit to external timers or remotely controlled mains sockets.
- To avoid fire, do not use adapters for plugging the press mini oven in.
- Install and use the press mini oven on a flat, dry, steady and heat-resistant surface with free access to the mains socket.
- Do not use the unit outdoors.
- It is recommended not to use the unit during lightning storms.
- Protect the mini oven from impacts, falling, vibrations and other mechanical stress.

- Never leave the unit connected to the mains unattended.
- Do not use the unit near heating appliances, heat sources or open flame.
- Do not use the mini oven in places where aerosols are used or sprayed, and in proximity to inflammable liquids.
- Do not use the mini oven in proximity to the kitchen sink, in bathrooms, near swimming pools or other containers filled with water.
- If the mini oven is dropped into water, unplug it immediately, and only then you can take the unit out of water. Contact a service center to check or repair the unit.
- Do not let the power cord touch hot surfaces and sharp edges of furniture.
- Do not use the mini oven to store any foreign objects, highly inflammable substances, paper or food.
- To prepare food, use the grate or the baking sheet, it is allowed to use heat-resistant ware designed for ovens.
- Do not warm food in the mini oven in a plastic or paper packaging.

ATTENTION! The external and internal unit surfaces are strongly heated during the operation. Do not touch the unit hot surfaces; remove the grate or the baking sheet using oven mitts.

- Do not move the press mini oven when it is hot; wait until it cools down completely.

- Use the unit in places with proper ventilation.
- Use only the removable parts supplied with the press mini oven.
- Do not switch the press mini oven on without products.
- Do not use the mini oven for cooking frozen food, defrost frozen food before cooking.
- Do not open the mini-oven door and do not touch the skewer during the skewer rotation.
- Take the products out of the press mini oven right after cooking; keeping products in the operating mini oven for a long time can cause their ignition.
- Unplug the unit after usage or before cleaning. When unplugging the mini oven, hold the power plug and carefully remove it from the mains socket, do not pull the power cord, as this can lead to its damage and cause a short circuit.
- Do not touch the unit body, the power cord and the power plug with wet hands.
- For child safety reasons do not leave polyethylene bags used as packaging unattended.

ATTENTION! Do not allow children to play with polyethylene bags or packaging film. **Danger of suffocation!**

- The unit is not intended for usage by children.
- Do not leave children unattended to prevent using the unit as a toy.

- Do not allow children to touch the operating surface, the unit body, the power cord or the power plug during operation of the unit.
- Be especially careful if children or disabled persons are near the operating unit.
- During the unit operation and breaks between operation cycles, place the unit out of reach of children.
- The unit is not intended for usage by physically or mentally disabled persons (including children) or by persons lacking experience or knowledge if they are not under supervision of a person who is responsible for their safety or if they are not instructed by this person on the usage of the unit.
- From time to time check the power cord integrity.
- If the power cord is damaged, it should be replaced by the manufacturer, a maintenance service or similar qualified personnel to avoid danger.
- Do not repair the unit by yourself. Do not disassemble the unit by yourself, if any malfunction is detected, and after the unit was dropped, unplug it and apply to the authorized service center.
- To avoid damages, transport the unit in the original package.
- Keep the unit in a dry cool place out of reach of children and disabled persons.

THE UNIT IS INTENDED FOR HOUSEHOLD USE ONLY, DO NOT USE THE UNIT FOR COMMERCIAL OR LABORATORY PURPOSES.

BEFORE THE FIRST USE

After unit transportation or storage at negative temperature, unpack it and wait for 3 hours before using.

- Unpack the unit and remove all the packaging materials.
- Keep the original package.
- Read the safety measures and operating recommendations.
- Check the delivery set.
- Examine the unit for damages, in case of damage do not plug it into the mains.
- Make sure that specified specifications of power supply voltage of the unit correspond to the specifications of your mains. When the unit is used in the mains with 60 Hz frequency, it does not need any additional settings.
- Wipe the grill body (5) surface of the mini oven with a slightly damp cloth and then dry.
- Wipe the mini oven inner surface with a slightly damp cloth and then dry.
- Wash the racks (14, 16), the baking tray (15), the skewer (21), the clamps (22) and the skewer holder with warm water and neutral detergent, rinse and dry thoroughly.

MINI OVEN INSTALLATION

- Use the mini oven in a properly ventilated place.
- Install the mini oven out of reach of small children.

- Do not install or use the mini oven in a place with high humidity or temperature or near any highly inflammable objects or liquids.
- Install the mini oven on a flat, stable and heat-resistant surface that can bear the weight of the mini oven itself and the weight of the food to be cooked in it with a free access to the electrical outlet.
- A distance from a wall to the back and side walls of the oven should make at least 10-20 cm with a minimum 30-40 cm free space above.
- Do not remove the support legs (7) from the bottom of the mini oven body.
- Do not cover the ventilation openings (1) on the mini oven body (2).

MINI OVEN CONNECTION RECOMMENDATIONS

- Make sure that the unit operating voltage indicated on the label corresponds to the mains voltage.
- Do not connect the unit to any external timers or remotely controlled electrical outlets.
- To avoid the risk of fire, do not use «adapters» when connecting the mini oven to an electrical outlet.
- Connect the power plug to an electrical outlet with a proper ground connection.
- Connecting the power plug with a ground contact to an electrical outlet without such may result in an electric shock.
- Consult a qualified electrician if you are in doubt that the mini oven body is properly grounded.

- If you need to use an extension cord, use only a three-wire one with a ground contact at the plug and the socket.
- The mini oven power cord wire section marking may be less than the extension cord one.
- Ensure that the extension cord does not hang over the edge of the table, where it can be pulled by small children, and is placed so that it is not stepped on.

CONTROL PANEL (6)

- Each pressing of the buttons (31, 32, 33) and turning of the knobs (34, 35) on the control panel (6) is accompanied with a sound signal.
- The buttons' (31, 32, 33) activity is confirmed with permanent illumination.
- Button (31) «PROGRAM» - repeatedly press the button (31) «PROGRAM» to select the cooking program (see the table).
- Button (32) «LIGHTING»: - press the button (32) «LIGHTING» to switch the illumination in the mini-oven on. When you press the button (32) «LIGHTING» again, the illumination will go out.
- Button (33) «START/STOP». Press the button (33) «START/STOP» to start the selected cooking program, press the button (33) «START/STOP» again to switch the mini-oven off.
- Knob (34) «TIME». Turning the knob (34) «TIME» clockwise or counterclockwise, you can set the operation time of the mini-oven. The operation time is shown with the digital symbols (29) on the display

(3). Operation time setting step is 1 minute, maximal operation time is 90 minutes.

- Knob (35) «TEMPERATURE °C». Turn the knob (35) «TEMPERATURE °C» clockwise or counterclockwise to set the cooking temperature. The cooking temperature is shown with the symbols (30) on the display (3). Temperature setting step is 5°C, maximal temperature is 230°C.

DISPLAY (3)

- The selected cooking program will be shown on the display (3) with the symbols (27) (see the table).
- The digital symbols (28) «1-7» indicate the additional cooking programs for toasts «Toast» and bagels «Bagel» (see the table).
- The digital symbols (29) show the set cooking time.
- The digital symbols (30) show the set cooking temperature.

ACCESSORIES

- Removable crumb tray (12) is intended for collecting remaining dry or liquid products. Remove and clean the tray (12) as it becomes dirty.
- Baking rack (14) - put the products on it for baking. You can also reheat the food on it for baking.
- Baking tray (15) - put the products for roasting or baking on the tray (15). The tray (15) is also used for collecting crumbs, liquid or juices from the products when they are cooked on the racks (14, 16). Install the

- tray (15) under the rack (14 or 16). If you don't use the tray (15), you can remove it from the mini-oven.
- Baking/cooking rack for the grill mode (16) - put the products on it in the baking mode «Bake» or in the grill mode «Grill». If necessary, you can remove the rack (16). Always install the tray (15) under the rack (16).
 - Skewer (21) - you can cook on the skewer (21), for example, chicken, foreshank and other similar products.
 - Skewer holder - use the holder to remove the skewer with ready food from the mini-oven.

MINI OVEN FIRST ACTIVATION

- Make sure that you didn't leave any accessories in the mini-oven.
- Connect the unit to the mains. You will hear sound signals, the display (3) will show all symbols for 2 seconds. After that the symbol for the baking program (27) «Bake» will be displayed, the digital symbols (29) will show the operation time of the program «30:00» minutes, the symbols (30) will show the cooking temperature «180°C». Operation time and cooking temperature in the baking program «Bake» are set by default.
- To switch the mini-oven on, press the button (33) «START/STOP», the mini-oven will switch on, the buttons (31 and 33) illumination will glow constantly.
- In approximately 10-15 minutes switch the mini-oven off by pressing the button (33) «START/STOP» and unplug it.

- Open the door (10) and wait until the oven cools down completely.

Note: when activating the unit for the first time, a foreign smell or some smoke from the heating elements can appear – this is normal and not covered by warranty.

COOKING FOOD

ATTENTION! Make sure that the food does not touch the upper heating element, the minimum distance to the heating element should make at least 30 mm.

- Be careful when you remove the food from the mini-oven to avoid burns, use the accessories supplied with the unit or the potholders.
- Take the handle (11) and open the door (10).
- Install the crumb tray (12).
- Install one of the racks (14, 16) or the tray (15) and put on them the respective food products which you want to cook.
- Close the door (10).
- Connect the unit to the mains. You will hear sound signals, the display (3) will show all symbols for 2 seconds. After that the symbol for the baking program (27) «Bake» will be displayed, the digital symbols (29) will show the operation time of the program «30:00» minutes, the symbols (30) will show the cooking temperature «180°C». Operation time and cooking temperature in the baking program «Bake» are set by default.

- Repeatedly pressing the button (31) «PROGRAM» you can select the cooking program (see the table).
- Turn the knob (34) «TIME» clockwise or counterclockwise to set the operation time of the mini-oven. The operation time will be shown on the display (3) with digital symbols (29). Operation time setting step is 1 minute, maximal operation time is 90 minutes.
- Turn the knob (35) «TEMPERATURE °C» clockwise or counterclockwise to set the cooking temperature. The cooking temperature will be shown on the display (3) with digital symbols (30). Temperature setting step is 5°C, maximal temperature is 230°C.
- To switch the mini-oven on, press the button (33) «START/STOP», the mini-oven will switch on, the buttons (31 and 32) illumination will glow constantly.
- Press the button (32) «LIGHTING» to switch the illumination in the mini-oven on. Press the button (32) «LIGHTING» again to switch the illumination off.
- When the set time is over, you will hear sound signals, the mini-oven will switch off. Unplug the unit.
- If you need to switch the mini-oven off, press the button (33) «START/STOP».

Note: always watch the products cooking, do not allow food to be cooked very hard, this can lead to fire.

- Open the lid (10) and carefully remove the ready products using the accessories supplied with the unit or the potholders.
- Let the unit cool down and clean it.

USING THE SKEWER

- Before cooking on the skewer (21) fully defrost frozen chicken or other food, wash carefully and remove excessive moisture.
- Rub the product with spices and vegetable oil according to the recipe or to your taste. It is recommended to mix the spices with the oil or add them in the end of cooking.
- String the chicken onto the skewer (21), position the food in the middle of the skewer (21), insert the clamps (22) on both sides and secure with the screws (23) by turning them clockwise. Maximal weight of the product should not exceed 2 kg.
- To prevent burning of the protruding parts of the chicken, it is recommended to tie the wings and legs with a heat-resistant culinary cord, you can also cover the protruding parts with aluminum foil or strips of unsalted bacon.
- Take the skewer holder handle (26), grip the skewer (21) with the skewer (21) grips (25), insert the skewer (21) installation place (25) into the drive (8), install the left part (20) of the skewer (21) on the support (18).
- Always place the tray (15) under the skewer (21) to collect liquid and juices from the products during cooking. You can pour water into the baking tray (15), during cooking the steam will make the meat tender, but if you want to cook crispy chicken, then do not pour water into the tray (15).

- Before closing the door (10), make sure that the skewer with the food is positioned correctly and does not come into contact with the upper heating elements, the minimum distance to the heating element should be 30 mm.
- Connect the unit to the mains. You will hear sound signals, the display (3) will show all symbols for 2 seconds. After that the symbol for the baking program (27) «Bake» will be displayed, the digital symbols (29) will show the operation time of the program «30:00» minutes, the symbols (30) will show the cooking temperature «180°C». Operation time and cooking temperature in the baking program «Bake» are set by default.
- Consequently pressing the button (31) «PROGRAM» select the cooking program «Skewer - Roast» (see the table).
- To switch the mini-oven on, press the button (33) «START/STOP», the mini-oven will switch on, the buttons (31 and 32) illumination will glow constantly.
- Press the button (32) «LIGHTING» to switch the illumination in the mini-oven on. Press the button (32) «LIGHTING» again to switch the illumination off.
- When the set time is over, you will hear sound signals, the mini-oven will switch off. Unplug the unit.
- Always check the readiness of the product. When piercing the product, clear meat juice should appear without traces of blood.
- You can change the settings of the cooking program «Skewer - Roast» (see the table):
 - by turning the knob (34) «TIME» clockwise or counterclockwise you can set the operation time of the mini-oven, the operation time will be shown on the display (3) with digital symbols (29). Operation time setting step is 1 minute, maximal operation time is 90 minutes;
 - by turning the knob (35) «TEMPERATURE °C» clockwise or counterclockwise you can set the cooking temperature, the cooking temperature will be shown on the display (3) with digital symbols (30). Temperature setting step is 5°C, maximal temperature is 230°C.
- If you need to switch the mini-oven off, press the button (33) «START/STOP».
- To remove the skewer (21) with the cooked product, take the handle of the skewer holder (26), in places (25) to grip the skewer (21), grab the skewer (21), lift the left side (20) of the skewer (21) off the support (18) and remove the skewer (21) from the drive (8).
- Put the skewer (21) with the cooked products on a heat-resistant chopping board or on a plate. Turn the screws (23) counterclockwise to loosen the clamps (22) and remove them from the skewer (21), remove the skewer (21) from the ready product.

Cooking program/cooking mode setting table:

Programs	Additional programs	Switching the heating element or the electric motor on	Default program settings		Illumination on button	Start/Stop button	Temperature setting knob	Time setting knob
			Time	Temperature			When selecting the program you can set the cooking temperature	When selecting the program you can set the operation time
Toast Toast	1	Top + bottom	3:00	/	Use any time	Use any time	Without adjusting	Select additional program «1-7»
	2		6:00					
	3		9:00					
	4		11:00					
	5		13:00					
	6		15:00					
	7		18:00					
Bagel Bagel	1	Top + bottom	5:00				Without adjusting	Select additional program «1-7»
	2		7:00					
	3		9:00					
	4		12:00					
	5		14:00					
	6		16:00					
	7		18:00					
Pizza Pizza	/	Top + bottom	15 min	200 °C			175-230 °C	1-60 min

Baking Bake	/	Top + bottom	30 min	180 °C	Jederzeit verwenden	Jederzeit verwenden	1-60 min
Broiling Broil	/	Top	45 min	190 °C			1-90 min
Pastry Cookies	/	Top + bottom	20 min	150 °C			1-60 min
Skewer Roast	/	Top + electric motor	60 min	190 °C			1-90 min
Grill Grill	/	Bottom	50 min	180 °C			1-90 min
Tikka Tikka	/	Top + bottom	30 min	180 °C			1-60 min
Preheat Preheat	/	Top + bottom	10 min	180 °C			1-15 min

CLEANING AND MAINTENANCE

- Switch the mini oven off and disconnect the power plug from the electrical outlet before cleaning.
- Do not immerse the mini oven, the power plug and the power cord in water or any other liquid.
- Wipe the mini oven body (2) surface with a slightly damp cloth and then dry. Always keep the ventilation openings (1) clean.
- If food remains on the unit inner walls, wipe it off with a damp napkin or cloth and then dry.
- Heavy dirt on the mini oven inner walls can be removed with some neutral detergent.
- Wash the racks (14, 16), the baking tray (15), the skewer (21), the clamps (22) and the skewer holder with warm water and neutral detergent, rinse and dry thoroughly.
- Keep the mini oven door (10) clean, avoid crumbs and food residues accumulation between the door (10) and the mini oven front panel. Avoid the door (10) glass scratching, otherwise the door (10) glass may crack.

- Avoid moisture to get on the control panel (6).
- Do not use scourers, abrasive cleaners or solvents to clean the external and internal surfaces of the mini oven.
- Clean the crumb tray at the mini oven regularly (12).

STORAGE

- Clean the mini oven before storing.
- Secure the power cord on the holder (4).
- Store the mini oven in a dry cool place out of reach of children and disabled persons.

DELIVERY SET

1. Mini oven – 1 pc.
2. Grate – 2 pc.
3. Baking sheet – 1 pc.
4. Crumb tray – 1 pc.
5. Skewer – 1 pc.
6. Clamps for food – 2 pcs.
7. Skewer holder – 1 pc.
8. Instruction manual – 1 pc.

TECHNICAL SPECIFICATIONS

- Power supply: 220-240 V, ~ 50-60 Hz
- Rated input: 1500 W
- Oven volume: 25 l

RECYCLING



To prevent possible damage to the environment or harm to the health of people by uncontrolled waste disposal, after service life expiration of the unit or the batteries (if included), do not discard them with usual household waste, deliver the unit and the batteries to specialized centers for further recycling.

The waste generated during the disposal of the unit is subject to mandatory collection and consequent disposal in the prescribed manner.

For further information about recycling of this product apply to a local municipal administration, a disposal service or to the shop where you purchased this product.

The manufacturer reserves the right to change the appearance, design and specifications not affecting general operation principles of the unit, without prior notice.

The unit operating life is 3 years

The manufacturing date is specified in the serial number.

In case of any malfunctions promptly apply to the authorized service center.

MINIOFEN BR2601

Mit dem elektrischen Miniofen kann ein großes Speisensortiment zubereitet werden.

BESCHREIBUNG

1. Lüftungslöcher
2. Miniofengehäuse
3. Bildschirm
4. Netzkabelhalter
5. Netzkabel
6. Bedienungsplatte
7. Stützfüße
8. Spießantrieb
9. Konvektionsventilator
10. Glastür
11. Türgriff
12. Krümelschale
13. Untere Heizelemente
14. Flaches Gitter
15. Back-/Fettblech
16. Backgitter
17. Aufstellplätze für Gitter oder Backblech
18. Spießstütze
19. Obere Heizelemente
20. Platz zum Spießeinsetzen in Stütze (18)
21. Spieß
22. Nahrungsmittelklemme (2 Stk.)
23. Nahrungsmittelklemmeschraube (2 Stk.)
24. Platz zum Spießeinsetzen in Antrieb (8)
25. Spießgreifplätze
26. Spießhaltergriff

Bildschirm

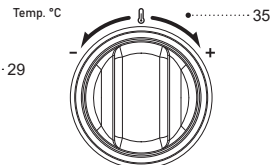
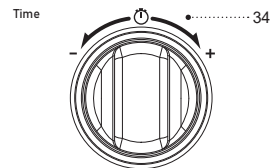
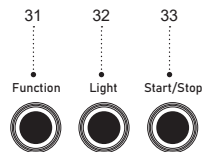
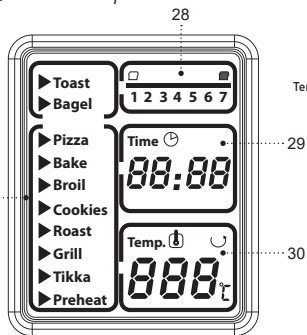
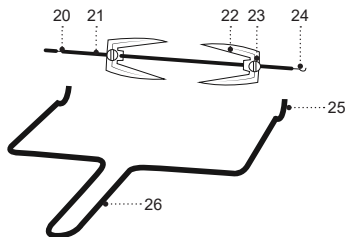
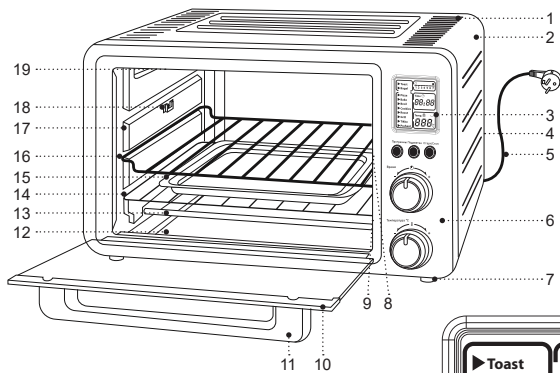
27. Garprogramme
28. Zusätzliche Garprogramme
29. Betriebszeitzahlsymbole
30. Temperaturzahlsymbole

Bedienungsplatte

31. «PROGRAMM»-Taste zur Garprogrammwahl
32. «BELEUCHTUNG»-Taste zum Ein-/Ausschalten der Beleuchtung
33. «START/STOPP»-Taste zum Ein-/Ausschalten des Miniofens
34. «ZEIT»-Griff zum Einstellen der Miniofen-Betriebszeit
35. «TEMPERATUR°C»-Griff zum Temperatureinstellen

ACHTUNG!

Als zusätzlicher Schutz ist es zweckmäßig, den FI-Schalter mit Nennstrom bis 30 mA im Stromversorgungskreis aufzustellen; wenden Sie sich dafür an einen Spezialisten.



SICHERHEITSHINWEISE UND GEBRAUCHSANLEITUNG

Bevor Sie den Miniofen benutzen, lesen Sie die Bedienungsanleitung aufmerksam durch und bewahren Sie sie zum späteren Gebrauch auf.

- Benutzen Sie den Miniofen nur bestimmungsmäßig und laut dieser Bedienungsanleitung.
- Der Missbrauch des Geräts kann zu seiner Störung führen, den Benutzer oder sein Eigentum beschädigen und ist kein Garantiefall.
- Vergewissern Sie sich, dass die auf dem Bezeichnungszettel angegebene Betriebsspannung und die Netzspannung übereinstimmen.
- Stecken Sie den Netzstecker in eine Steckdose mit einem zuverlässigen Erdungskontakt.
- Schließen Sie das Gerät an keine externen Timer oder elektrischen Steckdosen mit Fernbedienung an.
- Verwenden Sie keine Adapterstecker beim Anschließen des Miniofens ans Stromnetz, um das Brandrisiko zu vermeiden.
- Stellen und benutzen Sie den Miniofen auf einer ebenen, trockenen, standfesten und hitzebeständigen Oberfläche mit immer freiem Zugang zur Steckdose auf.
- Es ist nicht gestattet, das Gerät draußen zu benutzen.
- Es ist nicht empfohlen, das Gerät bei Gewitter zu benutzen.
- Schützen Sie den Miniofen vor Stößen, Stürzen, Vibrationen und anderen mechanischen Einwirkungen.
- Lassen Sie das ans Stromnetz angeschlossene Gerät nie unbeaufsichtigt.
- Benutzen Sie das Gerät in direkter Nähe von Heizgeräten, Wärmequellen oder offenem Feuer nicht.
- Es ist verboten, den Miniofen an den Orten, wo Sprays verwendet werden, sowie in der Nähe von leichtentzündbaren Flüssigkeiten, zu benutzen.
- Benutzen Sie den Miniofen in der Nähe von Spülbecken, in Badezimmern und neben den Wasserbecken oder anderen mit Wasser gefüllten Behältern nicht.
- Falls der Miniofen ins Wasser gefallen ist, ziehen Sie den Netzstecker aus der Steckdose sofort heraus, erst danach holen Sie das Gerät aus dem Wasser heraus. Wenden Sie sich an einen autorisierten Kundendienst, um das Gerät prüfen oder reparieren zu lassen.
- Achten Sie darauf, dass das Netzkabel heiße Oberflächen und scharfe Möbelkanten nicht berührt.
- Verwenden Sie den Miniofen zum Aufbewahren von irgendwelchen Fremdgegenständen, leichtentzündbaren Stoffen, Papier oder Nahrungsmitteln nicht.
- Verwenden Sie das Gitter oder das Backblech zum Speisenzubereiten; das ofengeeignete hitzebeständige Geschirr kann auch verwendet werden.
- Erwärmen Sie Nahrungsmittel im Miniofen nur ohne Plastik- oder Papierverpackungen.

ACHTUNG! Die Außen- und Innengeräteoberflächen werden im Betrieb stark erhitzt. Berühren Sie keine heißen Geräteoberflächen, verwenden Sie beim Entfernen des Gitters oder des Backblechs Ofenhandschuhe.

- Bewegen Sie den heißen Miniofen nicht, warten Sie ab, bis er vollständig abkühlt.
- Benutzen Sie das Gerät in gut belüfteten Räumen.
- Benutzen Sie nur die mitgelieferten abnehmbaren Miniofenteile.
- Schalten Sie den Miniofen ohne Lebensmittel nicht ein.
- Miniofenen Sie die gefrorene Lebensmittel nicht, tauen Sie sie vor dem Miniofenen auf.
- Nach der Zubereitung nehmen Sie die Lebensmittel aus dem Miniofen sofort heraus, ihr längeres Bleiben im eingeschalteten Miniofen kann zu ihrer Entzündung führen.
- Beim Drehspieß-Betrieb ist es verboten, die Tür des Miniofens zu öffnen und den Spieß zu berühren.
- Trennen Sie das Gerät nach dem Gebrauch oder vor der Reinigung vom Stromnetz unbedingt ab. Wenn Sie den Miniofen vom Stromnetz abtrennen, halten Sie den Netzstecker fest und ziehen Sie ihn aus der Steckdose vorsichtig heraus; ziehen Sie das Netzkabel nicht, da es zu seiner Beschädigung und einem Kurzschluss führen kann.
- Berühren Sie das Gerätegehäuse, das Netzkabel und den Netzstecker mit nassen Händen nicht.

- Aus Kindersicherheitsgründen lassen Sie Plastiktüten, die als Verpackung verwendet werden, nie ohne Aufsicht.

ACHTUNG! Lassen Sie Kinder mit Plastiktüten oder Verpackungsfolien nicht spielen. **Erstickungsgefahr!**

- Das Gerät ist nicht für Kinder bestimmt.
- Beaufsichtigen Sie Kinder, damit sie das Gerät als Spielzeug nicht benutzen.
- Lassen Sie Kinder die Arbeitsfläche, das Gerätegehäuse, das Netzkabel oder den Netzstecker während des Gerätebetriebs nicht berühren.
- Besondere Vorsichtsmaßnahmen sind in den Fällen angesagt, wenn sich Kinder oder behinderte Personen während des Gerätebetriebs in der Nähe aufhalten.
- Während des Betriebs und der Pausen zwischen den Betriebszyklen stellen Sie das Gerät an einen für Kinder unzugänglichen Ort auf.
- Dieses Gerät ist für Personen (darunter Kinder) mit Körper-, Nerven- und Geistesstörungen oder Personen ohne ausreichende Erfahrung und Kenntnisse nicht geeignet, wenn sie sich unter Aufsicht der Person, die für ihre Sicherheit verantwortlich ist, nicht befinden oder entsprechende Anweisungen über die Nutzung des Geräts nicht bekommen haben.
- Prüfen Sie die Unversehrtheit des Netzkabels von Zeit zu Zeit.

- Wenn das Netzkabel beschädigt ist, soll es vom Hersteller, vom Kundendienst oder von ähnlich qualifiziertem Personal ersetzt werden, um Gefahren zu vermeiden.
- Es ist nicht gestattet, das Gerät selbständig zu reparieren. Es ist nicht gestattet, das Gerät selbständig auseinanderzunehmen; bei der Feststellung jeglicher Beschädigungen, sowie im Sturzfall, trennen Sie es vom Stromnetz ab und wenden Sie sich an einen Kundendienst.
- Um Beschädigungen zu vermeiden, transportieren Sie das Gerät nur in der Fabrikverpackung.
- Bewahren Sie das Gerät an einem trockenen, kühlen und für Kinder und behinderte Personen unzugänglichen Ort auf.
- Prüfen Sie die Komplettheit.
- Prüfen Sie das Gerät auf Beschädigungen; wenn es beschädigt ist, schließen Sie es ans Stromnetz nicht an.
- Vergewissern Sie sich, dass die angegebenen Parameter der Geräteversorgungsspannung und die Stromnetzparameter übereinstimmen. Beim 60-Hz-Stromnetz-Gerätebetrieb sind keine zusätzlichen Maßnahmen erforderlich.
- Wischen Sie die Oberfläche des Grillgehäuses (5) des Miniofens mit einem leicht feuchten Tuch, dann trocknen Sie sie ab.
- Wischen Sie die Innenoberfläche des Miniofens mit einem leicht feuchten Tuch, dann trocknen Sie sie ab.
- Waschen Sie die Gitter (14, 16), das Backblech (15), den Spieß (21), die Nahrungsmittelklemmen (22) und den Spießhalter mit Warmwasser und einem neutralen Reinigungsmittel, spülen und trocknen Sie diese gründlich ab.

DAS GERÄT IST NUR FÜR DEN GEBRAUCH IM HAUSHALT GEEIGNET, ES IST VERBOTEN, DAS GERÄT ZU GESCHÄFTS- ODER LABORZWECKEN ZU BENUTZEN.

VOR DER ERSTEN NUTZUNG

Packen Sie das Gerät aus und warten Sie 3 Stunden, bevor Sie es bei einer negativen Temperatur transportieren oder bewahren.

- Packen Sie das Gerät aus und entfernen Sie alle Verpackungsmaterialien.
- Bewahren Sie die Originalverpackung auf.
- Lesen Sie die Sicherheitsmaßnahmen und Bedienungsempfehlungen durch.

AUFSTELLEN DES MINIOFENS

- Verwenden Sie den Miniofen an einem gut belüfteten Ort.
- Stellen Sie den Miniofen an einem für kleine Kinder unerreichbaren Ort auf.
- Installieren oder verwenden Sie den Miniofen an keinen Orten mit hoher Luftfeuchtigkeit oder Temperatur sowie in der Nähe von leichtentzündbaren Gegenständen oder Flüssigkeiten.
- Stellen Sie den Miniofen auf eine ebene, standfeste und hitzebeständige Oberfläche, die das Gewicht

- des Miniofens selbst und das Gewicht der darin zu kochenden Nahrungsmittel tragen kann, mit freiem Zugang zu einer Steckdose auf.
- Der Wandabstand zu den Rück- und Seitenwänden des Ofens soll mindestens 10-20 cm machen, und der Freiraum über dem Miniofen soll mindestens 30-40 cm betragen.
 - Entfernen Sie die Stützfüße (7) vom Boden des Miniofengehäuses nicht.
 - Decken Sie keine Lüftungsöffnungen (1) am Miniofengehäuse (2) ab.

MINIOFENANSCHLUSSEMPFEHLUNGEN

- Vergewissern Sie sich, dass die auf dem Bezeichnungszettel angegebene Betriebsspannung mit der Netzspannung übereinstimmt.
- Schließen Sie das Gerät an keine externen Timer oder ferngesteuerten Steckdosen an.
- Um Brandgefahr zu vermeiden, verwenden Sie keine «Adapter», wenn Sie den Miniofen an eine Steckdose anschließen.
- Stecken Sie den Netzstecker in eine Steckdose mit zuverlässigem Erdungskontakt ein.
- Das Einstecken des Netzkabels mit Erdungskontakt in eine Steckdose ohne solchen kann zu einem Stromschlag führen.
- Wenden Sie sich an einen qualifizierten Elektriker, wenn Sie Zweifel haben, ob das Miniofengehäuse ordnungsgemäß geerdet ist.

- Wenn Sie ein Netzverlängerungskabel verwenden müssen, verwenden Sie nur ein Dreileiter-Netzverlängerungskabel mit Erdungskontakt an Stecker und Steckdose.
- Die Drahtquerschnittsmarkierung am Netzkabel des Miniofens kann weniger als die Netzverlängerungskabel markierung sein.
- Achten Sie darauf, dass das Netzverlängerungskabel über die Tischkante nicht hängt, wo es von kleinen Kindern gezogen werden kann, und soll so verlegt werden, dass es nicht betreten wird.

BEDIENUNGSPLATTE (6)

- Jedes Drücken der Tasten (31, 32, 33) und Drehen der Griffe (34, 35) an der Bedienungsplatte (6) werden von einem Tonsignal begleitet.
- Die Betätigung der Tasten (31, 32, 33) wird durch das Einschalten der konstanten Beleuchtung bestätigt.
- «PROGRAMM»-Taste (31): - durch wiederholtes Drücken der «PROGRAMM»-Taste (31) können Sie das Garprogramm wählen (siehe die Tabelle).
- «BELEUCHTUNG»-Taste (32): - drücken Sie die «BELEUCHTUNG»-Taste (32), um die Miniofenbeleuchtung einzuschalten, durch erneutes Drücken der «BELEUCHTUNG»-Taste (32) wird die Beleuchtung ausgeschaltet.
- START/STOPP»-Taste (33), drücken Sie die «START/STOPP»-Taste (33), um das gewählte Garprogramm zu starten, drücken Sie die «START/STOPP»-Taste (33) erneut, um den Miniofen auszuschalten.

- «ZEIT»-Griff (34), durchs Drehen des «ZEIT»-Griffs (34) im oder entgegen dem Uhrzeigersinn können Sie die Betriebszeit des Miniofens einstellen, die Betriebszeit wird auf dem Bildschirm (3) mit den Zahlensymbolen (29) angezeigt. Ein Betriebszeit-Einstellschritt beträgt 1 Minute, die maximale Betriebszeit beträgt 90 Minuten.
- «TEMPERATUR°C»-Griff (35), durchs Drehen des «TEMPERATUR°C»-Griffs im oder entgegen dem Uhrzeigersinn können Sie die Gartemperatur einstellen, die Gartemperatur wird auf dem Bildschirm (3) mit den Zahlensymbolen (30) angezeigt. Ein Temperatur-Einstellschritt beträgt 5°C, die maximale Temperatur beträgt 230°C.
- Backgitter (14) – legen Sie das Backgut darauf, auf dem Gitter (14) können Sie die Nahrungsmittel aufwärmen.
- Backblech (15) – legen Sie das Brat- oder Backgut aufs Backblech (15) auf, das Backblech (15) dient auch zum Auffangen von Krümeln und den beim Garen auf den Gittern (14, 16) austretenden Flüssigkeiten oder Säften; stellen Sie das Backblech (15) unters Gitter (14 oder 15) auf. Wird das Backblech (15) nicht verwendet, kann es aus dem Miniofen herausgenommen werden.
- Back-/Grillgitter (16) – legen Sie das Gargut zum Garen im «Bake»- oder «Grill»-Betrieb darauf, das Gitter (16) kann bei Bedarf herausgenommen werden. Stellen Sie das Backblech (15) unters Gitter (16) immer auf.
- Spieß (21) – Sie können z.B. Hähnchen, Bötel oder andere ähnliche Nahrungsmittel auf dem Spieß (21) zubereiten.
- Spießhalter – benutzen Sie den Halter, um den Spieß mit fertigen Nahrungsmitteln aus dem Miniofen herauszunehmen.

BILDSCHIRM (3)

- Der Bildschirm (3) zeigt das gewählte Garprogramm mit den Symbolen (27) an (siehe die Tabelle).
- Die Zahlensymbole (28) «1-7» weisen auf zusätzliche Garprogramme für Toasts «Toast» und Hörnchen «Bagel» hin (siehe die Tabelle).
- Die Zahlensymbole (29) zeigen die eingestellte Garzeit an.
- Die Zahlensymbole (30) zeigen die eingestellte Gartemperatur an.

ZUBEHÖR

- Die abnehmbare Krümelschale (12) ist zum Auffangen von trockenen oder flüssigen Nahrungsmittelresten bestimmt. Wenn die Schale (12) verschmutzt ist, entfernen und reinigen Sie sie.

ERSTE INBETRIEBNAHME DES MINIOFENS

- Vergewissern Sie sich, dass kein Zubehör im Miniofen aufgestellt ist.
- Stecken Sie den Netzstecker in eine Steckdose ein, dabei ertönen die Tonsignale, auf dem Bildschirm (3) werden alle Symbole für 2 Sekunden angezeigt, danach wird das «Bake»-Backprogrammsymbol (27) angezeigt, die Zahlensymbole (29) zeigen die Programmlaufzeit «30:00» Minuten an, die Symbole (30) zeigen die Gartemperatur «180°C» an. Die Betriebszeit und die

Gartemperatur sind im «Bake»-Backprogramm standardmäßig eingestellt.

- Um den Miniofen einzuschalten, drücken Sie die «START/STOPP»-Taste (33), dabei schaltet sich der Miniofen ein, die Beleuchtung der Tasten (31 und 33) leuchtet konstant.
- Schalten Sie den Miniofen nach ca. 10-15 Minuten durchs Drücken der «START/STOPP»-Taste (33) aus und ziehen Sie das Netzkabel aus der Steckdose heraus.
- Öffnen Sie die Tür (10) und warten Sie ab, bis der Miniofen vollständig abkühlt.

Anmerkung: beim erstmaligen Einschalten können ein Fremdgeruch und eine kleine Menge Rauch von den Heizelementen entstehen, es ist normal und kein Garantiefall.

NAHRUNGSMITTELZUBEREITUNG

ACHTUNG! Achten Sie darauf, dass die Nahrungsmittel das obere Heizelement nicht berühren, der Mindestabstand zum Heizelement soll mindestens 30 mm betragen.

- Hüten Sie sich vor Verbrennungen beim Herausnehmen von Nahrungsmitteln aus dem Miniofen, verwenden Sie immer das mitgelieferte Zubehör oder die Ofenhandschuhe.
- Fassen Sie den Griff (11) und öffnen Sie die Tür (10).

- Stellen Sie die Krümelschale (12) auf.
- Stellen Sie ein der Gitter (14, 16) oder das Backblech (15) auf und legen Sie das entsprechende Gargut darauf.
- Schließen Sie die Tür (10).
- Stecken Sie den Netzstecker in eine Steckdose ein, dabei ertönen die Tonsignale, auf dem Bildschirm (3) werden alle Symbole für 2 Sekunden angezeigt, danach wird das «Bake»-Backprogrammssymbol (27) angezeigt, die Zahlensymbole (29) zeigen die Programmlaufzeit «30:00» Minuten an, die Symbole (30) zeigen die Gartemperatur «180°C» an. Die Betriebszeit und die Gartemperatur sind im «Bake»-Backprogramm standardmäßig eingestellt.
- Durch wiederholtes Drücken der «PROGRAMM»-Taste (31) können Sie das Garprogramm wählen (siehe die Tabelle).
- Durchs Drehen des «ZEIT»-Griffs (34) im oder entgegen dem Uhrzeigersinn können Sie die Betriebszeit des Miniofens einstellen, die Betriebszeit wird auf dem Bildschirm (3) mit den Zahlensymbolen (29) angezeigt. Ein Betriebszeit-Einstellschritt beträgt 1 Minute, die maximale Betriebszeit beträgt 90 Minuten.
- Durchs Drehen des «TEMPERATUR°C»-Griffs (35) im oder entgegen dem Uhrzeigersinn können Sie die Gartemperatur einstellen, die Gartemperatur wird auf dem Bildschirm (3) mit den Zahlensymbolen (30) angezeigt. Ein Temperatur-Einstellschritt beträgt 5°C, die maximale Temperatur beträgt 230°C.

- Um den Miniofen einzuschalten, drücken Sie die «START/STOPP»-Taste (33), dabei schaltet sich der Miniofen ein, die Beleuchtung der Tasten (31 und 33) leuchtet konstant.
- Drücken Sie die «BELEUCHTUNG»-Taste (32), um die Miniofenbeleuchtung einzuschalten, durch erneutes Drücken der «BELEUCHTUNG»-Taste (32) wird die Beleuchtung ausgeschaltet.
- Nach Ablauf der eingestellten Zeit ertönen die Tonsignale, der Miniofen schaltet sich aus, ziehen Sie das Netzkabel aus der Steckdose heraus.
- Wenn der Miniofen ausgeschaltet werden muss, drücken Sie die «START/STOPP»-Taste (33).

Anmerkung: achten Sie immer auf die Zubereitung von Nahrungsmitteln, lassen Sie diese zur Vermeidung etwaiger Entzündung nicht zu stark garen.

- Öffnen Sie die Tür (10) und nehmen Sie die zubereiteten Nahrungsmittel vorsichtig mit dem mitgelieferten Zubehör oder den Topfhandschuhen heraus.
- Lassen Sie das Gerät abkühlen und reinigen Sie es.

SPIESSVERWENDUNG

- Gefrorenes Hähnchen oder andere Nahrungsmittel müssen vor dem Garen am Spieß (21) vollständig aufgetaut, gründlich abgespült und von überschüssiger Feuchtigkeit befreit werden.
- Nach dem Rezept oder eigenem Geschmack reiben Sie das Nahrungsmittel mit Gewürzen ein und bestreichen

Sie es mit Pflanzenöl. Es ist empfohlen, Gewürze mit Pflanzenöl zu mischen oder am Ende des Garvorgangs hinzuzufügen.

- Spießen Sie Hähnchen auf den Spieß (21) auf, positionieren Sie das Nahrungsmittel in der Mitte des Spießes (21), stellen Sie die Klemmen (22) auf beiden Seiten auf und befestigen Sie diese mit den Schrauben (23) durchs Drehen im Uhrzeigersinn. Das maximale Nahrungsmittelgewicht soll 2 kg nicht überschreiten.
- Um das Anbrennen hervorstehender Hähnchenteile zu vermeiden, ist es empfohlen, Flügel und Keulen mit einer hitzebeständigen Kochschnur zu binden oder hervorstehende Teile mit Alufolie oder ungesalzenen Speckstreifen abzudecken.
- Fassen Sie den Griff des Spießhalters (26), greifen Sie den Spieß (21) mit den Spieß(21)-Greifplätzen (25), setzen Sie den Spieß(21)-Greifplatz (25) in den Antrieb (8) ein, stellen Sie die linke Seite (20) des Spießes (21) auf die Stütze (18) auf.
- Stellen Sie das Backblech (15) unter den Spieß (21) unbedingt auf, um die beim Garen austretende Flüssigkeit und Säfte aufzufangen. Sie können Wasser ins Backblech (15) während des Garvorgangs eingießen, der Dampf macht das Fleisch zart, aber wenn Sie knuspriges Hähnchen garen möchten, dann gießen Sie kein Wasser ins Backblech (15).
- Vergewissern Sie sich vor dem Schließen der Tür (10), dass der Spieß mit den Nahrungsmitteln richtig positioniert ist und keine oberen Heizelemente berührt, der Mindestabstand zum Heizelement soll 30 mm betragen.

- Stecken Sie den Netzstecker in eine Steckdose ein, dabei ertönen die Tonsignale, auf dem Bildschirm (3) werden alle Symbole für 2 Sekunden angezeigt, danach wird das «Bake»-Backprogrammssymbol (27) angezeigt, die Zahlensymbole (29) zeigen die Programmlaufzeit «30:00» Minuten an, die Symbole (30) zeigen die Gartemperatur «180°C» an. Die Betriebszeit und die Gartemperatur sind im «Bake»-Backprogramm standardmäßig eingestellt.
- Durch wiederholtes Drücken der «PROGRAMM»-Taste (31) wählen Sie das «Spieß - Roast»-Garprogramm (siehe die Tabelle).
- Um den Miniofen einzuschalten, drücken Sie die «START/STOPP»-Taste (33), dabei schaltet sich der Miniofen ein, die Beleuchtung der Tasten (31 und 33) leuchtet konstant.
- Drücken Sie die «BELEUCHTUNG»-Taste (32), um die Miniofenbeleuchtung einzuschalten, durch erneutes Drücken der «BELEUCHTUNG»-Taste (32) wird die Beleuchtung ausgeschaltet.
- Nach Ablauf der eingestellten Zeit ertönen die Tonsignale, der Miniofen schaltet sich aus, ziehen Sie das Netzkabel aus der Steckdose heraus.
- Prüfen Sie immer die Nahrungsmittelgare, beim Stechen soll klarer Fleischsaft ohne Blutspuren austreten.
- Sie können die «Spieß - Roast»-Garprogrammbetriebe ändern (siehe die Tabelle):
 - durchs Drehen des «ZEIT»-Griffs (34) im oder entgegen dem Uhrzeigersinn können Sie die Betriebszeit des Miniofens einstellen, die Betriebszeit wird auf dem Bildschirm (3) mit den Zahlensymbolen (29) angezeigt. Der Betriebszeit-Einstellschritt beträgt 1 Minute, die maximale Betriebszeit beträgt 90 Minuten;
 - durchs Drehen des «TEMPERATUR°C»-Griffs (35) im oder entgegen dem Uhrzeigersinn können Sie die Gartemperatur einstellen, die Gartemperatur wird auf dem Bildschirm (3) mit den Zahlensymbolen (30) angezeigt. Ein Temperatur-Einstellschritt beträgt 5°C, die maximale Temperatur beträgt 230°C.
- Wenn der Miniofen ausgeschaltet werden muss, drücken Sie die «START/STOPP»-Taste (33).
- Um den Spieß (21) mit dem fertigen Nahrungsmittel herauszunehmen, fassen Sie den Griff des Spießhalters (26), greifen Sie den Spieß (21) mit den Spieß(21)-Greifplätzen (25), heben Sie die linke Seite (20) des Spießes (21) von der Stütze (18) ab und nehmen Sie den Spieß (21) aus dem Antrieb (8) heraus.
- Legen Sie den Spieß (21) mit dem fertigen Nahrungsmittel auf ein hitzebeständiges Schneidebrett oder auf eine Schüssel, lösen Sie die Klemmen (22) durchs Drehen der Befestigungsschrauben (23) entgegen dem Uhrzeigersinn und nehmen Sie diese vom Spieß (21) ab, entfernen Sie den Spieß (21) vom fertigen Nahrungsmittel.

Tabelle der Garprogramme/-betriebe:

Programme	Zusatzprogramme	Einschalten des Heizelements oder des Elektromotors	Standardprogramm-einstellungen		Beleuchtung-staste	«START/STOPP»-Taste	Temperatureinstell-griff	Zeiteinstellgriff
			Zeit	Tempe-ratur			Bei der Programmwahl können Sie die Garzeit einstellen	Bei der Programmwahl können Sie die Garzeit einstellen
Toast Toast	1	Oben + Unten	3:00	/	Jederzeit verwenden	Jederzeit verwenden	Keine Einstellung	Zusatzprogramm «1-7» wählen
	2		6:00					
	3		9:00					
	4		11:00					
	5		13:00					
	6		15:00					
	7		18:00					
Hörnchen Bagel	1	Oben + Unten	5:00				Keine Einstellung	Zusatzprogramm «1-7» wählen
	2		7:00					
	3		9:00					
	4		12:00					
	5		14:00					
	6		16:00					
	7		18:00					
Pizza Pizza	/	Oben + Unten	15 Min	200 °C			175-230 °C	1-60 Min

Backen Bake	/	Oben + Unten	30 Min	180 °C	Jederzeit verwenden	Jederzeit verwenden	1-60 Min
Braten Broil	/	Oben	45 Min	190 °C			1-90 Min
Gebäck Cookies	/	Oben + Unten	20 Min	150 °C			1-60 Min
Spieß Roast	/	Oben + Elektromotor	60 Min	190 °C			1-90 Min
Grill Grill	/	Unten	50 Min	180 °C			1-90 Min
Tikka Tikka	/	Oben + Unten	30 Min	180 °C			1-60 Min
Aufwärmung Preheat	/	Oben + Unten	10 Min	180 °C			1-15 Min

REINIGUNG UND PFLEGE

- Schalten Sie den Miniofen vor der Reinigung aus und ziehen Sie das Netzkabel aus der Steckdose heraus.
- Tauchen Sie den Miniofen, das Netzkabel und den Netzstecker in Wasser oder jegliche andere Flüssigkeiten nicht ein.
- Wischen Sie die Oberfläche des Miniofengehäuses (2) mit einem leicht feuchten Tuch, dann trocknen Sie sie ab. Halten Sie die Lüftungslöcher (1) immer sauber.
- Bei Nahrungsmittelresten an inneren Gerätewänden wischen Sie diese mit einem feuchten Tuch oder Lappen, dann trocknen Sie sie ab.
- Starke Verschmutzungen an den Innenwänden des Miniofens können mit etwas neutralem Reinigungsmittel entfernt werden.
- Waschen Sie die Gitter (14, 16), das Backblech (15), den Spieß (21), die Nahrungsmittelklemmen (22) und den Spießhalter mit Warmwasser und einem neutralen Reinigungsmittel, spülen und trocknen Sie diese gründlich ab.
- Halten Sie die Miniofentür (10) sauber, achten Sie darauf, dass sich keine Krümel und Speisereste zwischen der Tür (10) und der Vorderplatte des Miniofens ansammeln. Zerkratzen Sie das Glas der Tür (10) nicht, sonst kann das Glas der Tür (10) brechen.

- Lassen Sie keine Feuchtigkeit auf die Bedienungsplatte (6) gelangen.
- Verwenden Sie keine Metallschwämme, Scheuer- oder Lösungsmittel, um die Außen- und Innenflächen des Miniofens zu reinigen.
- Reinigen Sie die Krümelschale am Boden des Miniofens regelmäßig (12).

AUFBEWAHRUNG

- Reinigen Sie den Miniofen vor der Aufbewahrung. Befestigen Sie das Netzkabel am Halter (4).
- Befestigen Sie das Netzkabel am Halter (4).
- Bewahren Sie den Miniofen an einem trockenen, kühlen und für Kinder und behinderte Personen unzugänglichen Ort auf.

LIEFERUMFANG

1. Miniofen – 1 Stk.
2. Gitter – 2 Stk.
3. Backblech – 1 Stk.
4. Krümelschale – 1 Stk.
5. Spieß – 1 Stk.
6. Nahrungsmittelklemmen – 2 Stk.
7. Spießhalter – 1 Stk.
8. Bedienungsanleitung – 1 Stk.

TECHNISCHE ANGABEN

- Stromversorgung: 220-240 V, ~ 50-60 Hz
- Nennleistungsaufnahme: 1500 W
- Ofenvolumen: 25 l

ENTSORGUNG



Um ein mögliches Schaden für die Umwelt oder die menschliche Gesundheit durch unkontrollierte Abfallentsorgung zu vermeiden, werfen Sie das Gerät und die Batterien (falls mitgeliefert) nach Beendigung ihrer Nutzungsdauer zusammen mit gewöhnlichen

Haushaltsabfällen nicht weg, geben Sie das Gerät und die Batterien in die Spezialpunkte für weitere Entsorgung über.

Die bei der Entsorgung der Erzeugnisse entstehenden Abfälle sind unbedingt zu sammeln und weiter ordnungsmäßig zu entsorgen.

Mehrere Information zur Entsorgung dieses Lebensmittels erhalten Sie bei Ihrer lokalen Stadtverwaltung, einem Abfallentsorgungsdienst oder beim Geschäft, wo Sie dieses Lebensmittel gekauft haben.

Der Hersteller behält sich das Recht vor, das Design, die Konstruktion und die das gemeine Gerätebetriebsprinzip nicht beeinflussende technische Eigenschaften ohne Vorbenachrichtigung zu verändern.

Die Gerätenutzungsdauer beträgt 3 Jahre

Das Herstellungsdatum ist in der Fabrikationsnummer angegeben.

Bei Störungsfeststellung wenden Sie sich baldigst an einen autorisierten Kundendienst.

МИНИ-ПЕЧЬ BR2601

Электрическая мини-печь может использоваться не только для приготовления тостов, но и для приготовления большого ассортимента блюд.

ОПИСАНИЕ

1. Вентиляционные отверстия
2. Корпус мини-печи
3. Дисплей
4. Держатель шнура питания
5. Шнур питания
6. Панель управления
7. Опорные ножки
8. Привод вертела
9. Конвекционный вентилятор
10. Стеклопанель дверца
11. Ручка дверцы
12. Поддон для крошек.
13. Нижние нагревательные элементы
14. Плоская решётка
15. Противень для выпечки/сбора капель жира
16. Решётка для запекания продуктов
17. Места установки решёток или противня
18. Опора вертела
19. Верхние нагревательные элементы
20. Место установки вертела в опору (18)
21. Вертел
22. Фиксатор для продуктов (2 шт.)
23. Винт фиксатора для продуктов (2 шт.)
24. Место установки вертела в привод (8)
25. Места захвата вертела
26. Ручка держателя вертела

Дисплей

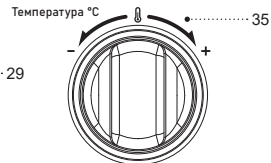
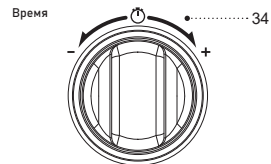
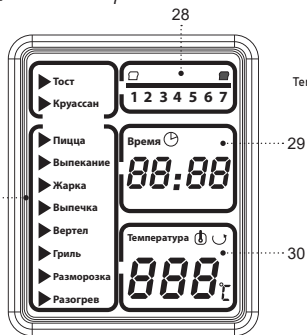
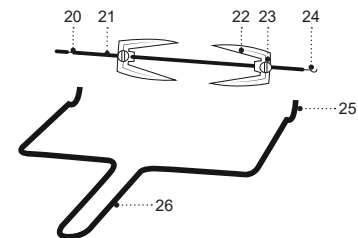
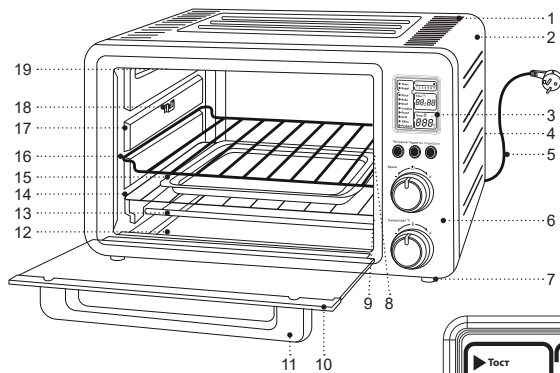
27. Программы приготовления
28. Дополнительные программы приготовления
29. Цифровые символы времени работы
30. Цифровые символы температуры

Панель управления

31. Кнопка выбора программы приготовления «ФУНКЦИЯ»
32. Кнопка включения/выключения подсветки «ПОДСВЕТКА»
33. Кнопка включения/выключения мини печи «СТАРТ/СТОП»
34. Ручка установки времени работы мини-печи «ВРЕМЯ»
35. Ручка установки температуры «ТЕМПЕРАТУРА °C»

ВНИМАНИЕ!

Для дополнительной защиты в цепи питания целесообразно установить устройство защитного отключения (УЗО) с номинальным током срабатывания, не превышающим 30 мА, для установки УЗО обратитесь к специалисту.



МЕРЫ БЕЗОПАСНОСТИ И РЕКОМЕНДАЦИИ ПО ЭКСПЛУАТАЦИИ

Перед использованием мини-печи внимательно ознакомьтесь с руководством по эксплуатации, после прочтения сохраните его для использования в будущем.

- Используйте мини-печь только по её прямому назначению, как изложено в данной инструкции.
- Неправильное обращение с мини-печью может привести к его поломке, причинению вреда пользователю или его имуществу и не является гарантийным случаем.
- Убедитесь, что рабочее напряжение устройства, указанное на этикетке, соответствует напряжению электросети.
- Вилку шнура питания вставляйте в электрическую розетку, имеющую надёжный контакт заземления.
- Запрещается подключать устройство к внешним таймерам или к электрическим розеткам с дистанционным управлением.
- Во избежание риска возникновения пожара, запрещается использовать «переходники» при подключении мини-печи к электрической розетке.
- Устанавливайте и используйте мини-печь на ровной, сухой, устойчивой, термостойкой поверхности так, чтобы доступ к сетевой розетке всегда был свободным.
- Запрещается использовать устройство вне помещений.
- Не рекомендуется использовать устройство во время грозы.
- Оберегайте мини-печь от ударов, падений, вибраций и иных механических воздействий.
- Не оставляйте устройство, включённое в сеть, без присмотра.
- Не используйте устройство в непосредственной близости от нагревательных приборов, источников тепла или открытого пламени.
- Запрещается использовать мини-печь в местах, где используются или распыляются аэрозоли, а также вблизи от легковоспламеняющихся жидкостей.
- Не используйте мини-печь вблизи от кухонной раковины, в ваннных комнатах, около бассейнов или других ёмкостей, наполненных водой.
- Если мини-печь упала в воду, немедленно выньте вилку шнура питания из электрической розетки, и только после этого можно достать устройство из воды. Обратитесь в сервисный центр для осмотра или ремонта устройства.
- Не допускайте, чтобы шнур питания касался горячих поверхностей и острых кромок мебели.
- Запрещается использовать мини-печь для хранения каких-либо посторонних предметов, легковоспламеняющихся веществ, бумаги или продуктов.
- Для приготовления продуктов используйте решётку или противень, допускается использование

термостойкой посуды, которая предназначена для духовок.

- Запрещается разогревать продукты в мини-печи в пластиковой или бумажной упаковке.

ВНИМАНИЕ! Внешние и внутренние поверхности устройства при эксплуатации подвержены сильному нагреву. Не касайтесь горячих поверхностей устройства, вынимая решётку или противень пользуйтесь кухонными прихватками.

- Не перемещайте горячую мини-печь, дождитесь полного её остывания.
- Используйте устройство в местах с хорошей вентиляцией.
- Используйте только те детали мини-печи, которые входят в комплект поставки.
- Запрещается включать устройство, если в мини-печи нет продуктов.
- Запрещается использовать мини-печь для приготовления замороженных продуктов.
- Разморозьте продукты перед их приготовлением.
- При работе вращающегося вертела, запрещается открывать дверцу мини-печи и прикасаться к вертелу.
- Вынимайте продукты из мини-печи сразу после приготовления, при длительном нахождении продуктов во включенной мини-печи может произойти их возгорание.
- Отключайте устройство от электросети после

использования или перед чисткой. При отключении мини-печи от электрической сети держитесь за вилку шнура питания и аккуратно выньте её из электрической розетки, не тяните за шнур питания — это может привести к его повреждению и вызвать короткое замыкание.

- Не прикасайтесь к корпусу устройства, к шнуру питания и к вилке шнура питания мокрыми руками.
- Из соображений безопасности детей не оставляйте полиэтиленовые пакеты, используемые в качестве упаковки, без надзора.

ВНИМАНИЕ! Не разрешайте детям играть с полиэтиленовыми пакетами или упаковочной плёнкой.
Опасность удушья!

- Устройство не предназначено для использования детьми.
- Осуществляйте надзор за детьми, чтобы не допустить использования устройства в качестве игрушки.
- Не разрешайте детям прикасаться к рабочей поверхности, к корпусу устройства, к шнуру питания или к вилке шнура питания во время работы устройства.
- Будьте особенно внимательны, если поблизости от работающего устройства находятся дети или лица с ограниченными возможностями.

- Во время работы и в перерывах между рабочими циклами размещайте устройство в местах, недоступных для детей.
- Прибор не предназначен для использования лицами (включая детей) с пониженными физическими, психическими или умственными способностями, или при отсутствии у них опыта или знаний, если они не находятся под контролем или не проинструктированы лицом, ответственным за их безопасность, об использовании прибора.
- Периодически проверяйте целостность шнура питания.
- При повреждении шнура питания его замену, во избежание опасности, должны производить изготовитель, сервисная служба или подобный квалифицированный персонал.
- Запрещается самостоятельно ремонтировать устройство. Не разбирайте устройство самостоятельно, при возникновении любых неисправностей, а также после падения устройства отключите его от электросети и обратитесь в авторизованный сервисный центр.
- Во избежание повреждений перевозите устройство в заводской упаковке.
- Храните устройство в сухом прохладном месте, недоступном для детей и людей с ограниченными возможностями.

УСТРОЙСТВО ПРЕДНАЗНАЧЕНО ТОЛЬКО ДЛЯ БЫТОВОГО ИСПОЛЬЗОВАНИЯ, ЗАПРЕЩАЕТСЯ

ИСПОЛЬЗОВАТЬ УСТРОЙСТВО В КОММЕРЧЕСКИХ ИЛИ ЛАБОРАТОРНЫХ ЦЕЛЯХ.

ПЕРЕД ПЕРВЫМ ИСПОЛЬЗОВАНИЕМ

После транспортировки или хранения устройства при отрицательной температуре распакуйте его и подождите 3 часа перед использованием.

- Распакуйте устройство и удалите все упаковочные материалы.
- Сохраните заводскую упаковку.
- Ознакомьтесь с мерами безопасности и рекомендациями по эксплуатации.
- Проверьте комплектацию.
- Осмотрите устройство на наличие повреждений, при наличии повреждений не включайте его в сеть.
- Убедитесь, что указанные параметры напряжения питания устройства соответствуют параметрам электрической сети. При использовании устройства в электрической сети частотой 60 Гц, никаких дополнительных действий не требуется.
- Протрите поверхность корпуса (2) мини-печи слегка влажной тканью, после чего вытрите насухо.
- Протрите внутреннюю поверхность мини-печи слегка влажной тканью, после чего вытрите насухо.
- Решётки (14, 16), противень (15), вертел (21), фиксаторы продуктов (22), держатель вертела,

промойте тёплой водой с нейтральным моющим средством, ополосните и тщательно просушите.

УСТАНОВКА МИНИ-ПЕЧИ

- Используйте мини-печь в местах с хорошей вентиляцией.
- Выберите место установки мини-печи, которое не будет доступно для маленьких детей.
- Не устанавливайте и не используйте мини-печь в местах с повышенной влажностью или высокой температурой, а также вблизи легковоспламеняющихся предметов или жидкостей.
- Установите мини-печь на ровную, устойчивую и теплостойкую поверхность, способную выдержать вес самой мини-печи и вес продуктов, которые будут в ней готовиться, обеспечьте свободный доступ к электрической розетке.
- Расстояние от стены до задней и боковых стенок печи должно быть не менее 10-20 см, а свободное пространство над мини-печью составляло не менее 30-40 см.
- Запрещается снимать опорные ножки (7) с дна корпуса мини-печи.
- Запрещается закрывать вентиляционные отверстия (1) на корпусе (2) мини-печи.

РЕКОМЕНДАЦИИ ПО ПОДКЛЮЧЕНИЮ МИНИ-ПЕЧИ

- Убедитесь, что рабочее напряжение устройства, указанное на этикетке, соответствует напряжению электросети.
- Запрещается подключать устройство к внешним таймерам или к электрическим розеткам с дистанционным управлением.
- Во избежание риска возникновения пожара, запрещается использовать «переходники» при подключении мини-печи к электрической розетке.
- Вилку шнура питания вставляйте в электрическую розетку, имеющую надежный контакт заземления.
- Включение вилки шнура питания, имеющей контакт заземления, в электрическую розетку без контакта заземления может привести к получению удара электрическим током.
- Проконсультируйтесь с квалифицированным электриком, если вы сомневаетесь в том, что корпус мини-печи надежно заземлён.
- Если необходимо использовать сетевой удлинитель, используйте только трёхпроводной сетевой удлинитель с контактом заземления на вилке и в розетке.
- Маркировка сечения проводов шнура питания мини-печи может быть меньше, чем маркировка на шнуре сетевого удлинителя.
- Следите за тем, чтобы шнур сетевого удлинителя не свисал с края стола, где за него могут потянуть

маленькие дети, и должен быть проложен таким образом, чтобы исключить хождение по нему.

ПАНЕЛЬ УПРАВЛЕНИЯ (6)

- Каждое нажатие кнопок (31, 32, 33) и поворот ручек (34, 35) на панели управления (6) сопровождается звуковым сигналом.
- Активность кнопок (31, 32, 33) подтверждается включением постоянной подсветки.
- Кнопка (31) «ФУНКЦИЯ»: - повторными нажатиями кнопки (31) «ФУНКЦИЯ», вы можете выбрать программу приготовления (см. таблицу).
- Кнопка (32) «ПОДСВЕТКА»: - нажмите кнопку (32) «ПОДСВЕТКА» для включения подсветки в мини-печи, при повторном нажатии кнопки (32) «ПОДСВЕТКА», подсветка выключится.
- Кнопка (33) «СТАРТ/СТОП», нажмите кнопку (33) «СТАРТ/СТОП» для включения выбранной программы приготовления, повторно нажмите кнопку (33) «СТАРТ/СТОП» для выключения мини-печи.
- Ручка (34) «ВРЕМЯ», поворотом ручки (34) «ВРЕМЯ» по или против часовой стрелки, вы можете установить время работы мини-печи, время работы отображается на дисплее (3) цифровыми символами (29). Шаг установки времени работы 1 минута, максимальное время работы 90 минут.
- Ручка (35) «ТЕМПЕРАТУРА °C», поворотом ручки (35) «ТЕМПЕРАТУРА °C» по или против часовой стрелки, вы можете установить температуру приготовления продуктов, температура пригото-

ления продуктов отображается на дисплее (3) цифровыми символами (30). Шаг установки температуры 5°C, максимальная температура 230°C.

ДИСПЛЕЙ (3)

- На дисплее (3) символами (27) отображается выбранная программа приготовления (см. таблицу).
- Цифровыми символами (28) «1-7» отображаются дополнительные программы приготовления для тостов «Тост» и рогаликов «Круассан» (см. таблицу).
- Цифровыми символами (29) отображается установленное время приготовления продуктов.
- Цифровыми символами (30) отображается установленная температура приготовления продуктов.

АКСЕССУАРЫ

- Съёмный поддон для крошек (12) – предназначен для сбора сухих или жидких остатков продуктов. По мере загрязнения поддона (12), вынимайте и очищайте его.
- Решётка для выпечки (14) – помещайте на неё продукты для выпечки, на решётке (14) можно разогревать продукты.
- Противень для выпечки (15) – помещайте на противень (15) продукты для запекания или выпечки, противень (15) так же используется для сбора крошек, сбора жидкости или соков, выделяющейся из продуктов, при приготовлении их на решётках (14,

- 16), установите противень (15) под решётку (14 или 15). Если противень (15) не используется, то его можно вынуть из мини печи.
- Решётка для запекания/приготовления продуктов в режиме гриля (16) - помещайте на неё продукты для приготовления в режиме запекания «Выпекание» или гриля «Гриль», при необходимости решётку (16) можно вынуть. Всегда устанавливайте под решётку (16), противень (15).
 - Вертел (21) – вы можете приготовить на вертеле (21), например, курицу, рульку или другие подобные продукты.
 - Держатель вертела - используйте держатель для того, чтобы вынуть вертел с готовым продуктом из мини печи.

ПЕРВОЕ ВКЛЮЧЕНИЕ МИНИ-ПЕЧИ

- Убедитесь, что в мини-печи не установлены никакие аксессуары.
- Вставьте вилку шнура питания в электрическую розетку, при этом прозвучат звуковые сигналы, на дисплее (3) отобразятся на 2 секунды все символы, после этого отобразится символ программы (27) запекания продуктов «Выпекание», цифровыми символами (29) отобразится время работы программы «30:00» минут, символами (30) будет показана температура приготовления продуктов «180°C». Время работы и температура приготовления в программе запекания «Выпека-

ние», установлены по умолчанию.

- Для включения мини печи нажмите кнопку (33) «СТАРТ/СТОП», при этом мини-печь включится, подсветка кнопок (31 и 33) будет светиться постоянно.
- Приблизительно через 10-15 минут, выключите мини-печь нажав кнопки (33) «СТАРТ/СТОП» и выньте вилку шнура питания из электрической розетки.
- Откройте дверцу (10) и дождитесь полного остывания мини печи.

Примечание: при первом включении устройства, возможно появление постороннего запаха или небольшого количества дыма от нагревательных элементов - это допустимо и не является гарантийным случаем.

ПРИГОТОВЛЕНИЕ ПРОДУКТОВ

ВНИМАНИЕ! Следите за тем, чтобы продукты не касались верхнего нагревательного элемента, минимальное расстояние до нагревательного элемента, должно быть не менее 30 мм.

- Вынимая продукты из мини-печи, остерегайтесь получения ожогов, всегда используйте аксессуары, входящие в комплект поставки или кухонные прихватки.
- Возьмитесь за ручку (11) и откройте дверцу (10).

- Установите поддон для крошек (12).
- Установите одну из решёток (14, 16) или противень (15) и положите на них соответствующие продукты, которые вы хотите приготовить.
- Закройте дверцу (10).
- Вставьте вилку шнура питания в электрическую розетку при этом прозвучат звуковые сигналы, на дисплее (3) отобразятся на 2 секунды все символы, после этого отобразится символ программы (27) запекания продуктов «Выпекание», цифровыми символами (29) отобразится время работы программы «30:00» минут, символами (30) будет показана температура приготовления продуктов «180°C». Время работы и температура приготовления в программе запекания «Выпекание», установлены по умолчанию.
- Повторными нажатиями кнопки (31) «ФУНКЦИЯ», вы можете выбрать программу приготовления (см. таблицу).
- Поворотом ручки (34) «ВРЕМЯ» по или против часовой стрелки вы можете установить время работы мини-печи, время работы отображается на дисплее (3) цифровыми символами (29). Шаг установки времени работы 1 минута, максимальное время работы 90 минут.
- Поворотом ручки (35) «ТЕМПЕРАТУРА °C» по или против часовой стрелки, вы можете установить температуру приготовления продуктов, температура приготовления продуктов отображается на дис-

плее (3) цифровыми символами (30). Шаг установки температуры 5°C, максимальная температура 230°C.

- Для включения мини-печи нажмите кнопку (33) «СТАРТ/СТОП», при этом мини печь включится, подсветка кнопок (31 и 33) будет светиться постоянно.
- Нажмите кнопку (32) «ПОДСВЕТКА» для включения подсветки в мини печи, при повторном нажатии кнопки (32) «ПОДСВЕТКА», подсветка выключится.
- По истечению установленного времени, прозвучат звуковые сигналы, мини печь выключится, выньте вилку шнура питания из электрической розетки.
- При необходимости выключения мини-печи, нажмите кнопку (33) «СТАРТ/СТОП».

Примечание: всегда следите за приготовлением продуктов, не допускайте очень сильного зажаривания продуктов, это может привести к их возгоранию.

- Откройте дверцу (10) и осторожно выньте готовые продукты, используя аксессуары, входящие в комплект поставки или кухонные прихватки.
- Дайте устройству остыть и проведите его чистку.

ИСПОЛЬЗОВАНИЕ ВЕРТЕЛА

- Замороженную курицу или другой продукт, перед приготовлением на вертеле (21) необходимо полностью разморозить, тщательно промыть и удалить излишки влаги.
- В соответствии с рецептом или с собственным вкусом, натрите продукт специями и смажьте растительным маслом. Специи рекомендуется смешивать с

- растительным маслом или же добавлять в конце приготовления.
- Нанижите курицу на вертел (21), расположите продукт по середине вертела (21), установите с двух сторон фиксаторы (22) и зафиксируйте винтами (23), поворачивая их по часовой стрелке. Максимальный вес продукта не должен превышать 2 кг.
 - Для предотвращения обгорания выступающих частей курицы, рекомендуется связать крылья и ножки жаропрочным кулинарным шнуром, так же можно прикрыть выступающие части алюминиевой фольгой или полосками несоленого сала.
 - Возьмитесь за ручку держателя вертела (26), местами (25) для захвата вертела (21), захватите вертел (21), вставьте место установки (25) вертела (21) в привод (8), левую сторону (20) вертела (21) установите на опору (18).
 - Обязательно установите под вертел (21) противень (15) для сбора жидкости и соков, выделяющихся во время приготовления. В противень (15) можно налить воду, во время приготовления, водяной пар сделает мясо нежным, но если вы хотите приготовить курицу с хрустящей корочкой, то не наливайте воду в противень (15).
 - Прежде чем закрыть дверцу (10), убедитесь, что вертел с продуктом расположен правильно, и не соприкасается с верхними нагревательными элементами, минимальное расстояние до нагревательного элемента должно составлять 30 мм.
 - Вставьте вилку шнура питания в электрическую розетку при этом прозвучат звуковые сигналы, на дисплее (3) отобразятся на 2 секунды все символы, после этого отобразится символ программы (27) запекания продуктов «Выпекание», цифровыми символами (29) отобразится время работы программы «30:00» минут, символами (30) будет показана температура приготовления продуктов «180°C». Время работы и температура приготовления в программе запекания «Выпекание», установлены по умолчанию.
 - Повторными нажатиями кнопки (31) «ФУНКЦИЯ», выберите программу приготовления «Вертел - Roast» (см. таблицу).
 - Для включения мини печи нажмите кнопку (33) «СТАРТ/СТОП», при этом мини печь включится, подсветка кнопок (31 и 33) будет светиться постоянно.
 - Нажмите кнопку (32) «ПОДСВЕТКА» для включения подсветки в мини печи, при повторном нажатии кнопки (32) «ПОДСВЕТКА», подсветка выключится.
 - По истечении установленного времени, прозвучат звуковые сигналы, мини печь выключится, выньте вилку шнура питания из электрической розетки.
 - Всегда проверяйте готовность продукта, при прокалывании продукта должен выделяться прозрачный мясной сок без следов крови.
 - Вы можете изменить режимы программы приготовления «Вертел - Roast» (см. таблицу):

- поворотом ручки (34) «ВРЕМЯ» по или против часовой стрелки, вы можете установить время работы мини-печи, время работы отображается на дисплее (3) цифровыми символами (29). Шаг установки времени работы 1 минута, максимальное время работы 90 минут;
- поворотом ручки (35) «ТЕМПЕРАТУРА °C» по или против часовой стрелки, вы можете установить температуру приготовления продуктов, температура приготовления продуктов отображается на дисплее (3) цифровыми символами (30). Шаг установки температуры 5°C, максимальная температура 230°C.
- При необходимости выключения мини-печи, нажмите кнопку (33) «СТАРТ/СТОП».
- Чтобы извлечь вертел (21) с готовым продуктом, возьмитесь за ручку держателя вертела (26), местами (25) для захвата вертела (21), захватите вертел (21), приподнимите левую сторону (20) вертела (21) с опоры (18) и выньте вертел (21) из привода (8).
- Положите вертел (21) с готовым продуктом на термостойкую разделочную доску или на блюдо, поворотом крепёжных винтов (23) против часовой стрелки, ослабьте крепление фиксаторов (22) и снимите их с вертела (21), выньте из готового продукта вертел (21).

Таблица программ приготовления продуктов/ установки режимов приготовления продуктов:

Программы	Дополнительные программы	Включение нагревательного элемента или электромотора	Настройки программы по умолчанию		Кнопка включения подсветки	Кнопка Старт/Стоп	Ручка установки температуры	Ручка установки времени
			Время	Температура			При выборе программы, вы можете установить температуру приготовления	При выборе программы, вы можете установить время приготовления
Тост	1	Верх + Низ	3:00	/	Используйте в любое время	Используйте в любое время	Без регулировки	Выберите дополнительную программу «1-7»
	2		6:00					
	3		9:00					
	4		11:00					
	5		13:00					
	6		15:00					
	7		18:00					
Круассан	1	Верх + Низ	5:00				Без регулировки	Выберите дополнительную программу «1-7»
	2		7:00					
	3		9:00					
	4		12:00					
	5		14:00					
	6		16:00					
	7		18:00					
Пицца	/	Верх + Низ	15 мин	200 °C			175-230 °C	1-60 мин

Выпекание	/	Верх + Низ	30 мин	180 °C	Используйте в любое время	Используйте в любое время	1-60 мин
Жарка	/	Верх	45 мин	190 °C			1-90 мин
Выпечка	/	Верх + Низ	20 мин	150 °C			1-60 мин
Вертел	/	Верх + Эл. мотор	60 мин	190 °C			1-90 мин
Гриль	/	Низ	50 мин	180 °C			1-90 мин
Разморозка	/	Верх + Низ	30 мин	180 °C			1-60 мин
Разогрев	/	Верх + Низ	10 мин	180 °C			1-15 мин

ЧИСТКА И УХОД

- Перед чисткой выключите мини-печь и выньте вилку шнура питания из электрической розетки.
- Запрещается погружать мини-печь, шнур питания и вилку шнура питания в воду или любую другую жидкость.
- Протрите поверхность корпуса (2) мини-печи слегка влажной тканью, после чего вытрите насухо. Всегда следите за чистотой вентиляционных отверстий (1).
- Если на внутренних стенках устройства остались остатки продуктов, удалите их влажной салфеткой или тканью, после чего вытрите насухо.
- Сильные загрязнения на внутренних стенках мини-печи можно удалить с помощью небольшого количества нейтрального моющего средства.
- Решётки (14, 16), противень (15), вертел (21), фиксаторы продуктов (22), промойте тёплой водой с нейтральным моющим средством, ополосните и тщательно просушите.
- Содержите дверцу (10) мини-печи в чистоте, не допускайте скапливания крошек и остатков

продуктов между дверцей (10) и лицевой панелью мини-печи. Не допускайте появления царапин на стекле дверцы (10), в противном случае стекло дверцы (10) может треснуть.

- Не допускайте попадания влаги на панель управления (6).
- Не используйте для чистки внешних и внутренних поверхностей мини-печи металлические мочалки, абразивные чистящие средства или растворители.
- Периодически вынимайте и очищайте поддон для крошек (12) на дне мини-печи.

ХРАНИЕНИЕ

- Перед тем как убрать мини-печь на хранение проведите её чистку.
- Закрепите шнур питания на держателе (4).
- Храните мини-печь в сухом прохладном месте, недоступном для детей и людей с ограниченными возможностями.

КОМПЛЕКТАЦИЯ

1. Мини-печь - 1 шт.
2. Решётка – 2 шт.
3. Противень – 1 шт.
4. Поддон для крошек – 1 шт. 8
5. Вертел – 1 шт.
6. Фиксаторы продуктов – 2 шт.
7. Держатель вертела – 1 шт.
8. Инструкция — 1 шт.

ТЕХНИЧЕСКИЕ ХАРАКТЕРИСТИКИ

- Электропитание: 220-240 В, ~ 50-60 Гц
- Номинальная потребляемая мощность: 1500 Вт
- Объём печи: 25 л

УТИЛИЗАЦИЯ



Чтобы предотвратить возможный вред окружающей среде или здоровью людей от неконтролируемой утилизации отходов, после окончания срока службы устройства или элементов питания (если входят в комплект), не выбрасывайте их вместе с обычными бытовыми отходами, передайте прибор и элементы питания в специализированные пункты для дальнейшей утилизации.

Отходы, образующиеся при утилизации изделий, подлежат обязательному сбору с последующей утилизацией в установленном порядке.

Для получения дополнительной информации об утилизации данного продукта обратитесь в местный муниципалитет, службу утилизации бытовых отходов или в магазин, где Вы приобрели данный продукт.

Производитель сохраняет за собой право изменять дизайн, конструкцию и технические характеристики, не влияющие на общие принципы работы устройства, без предварительного уведомления.

Срок службы устройства — 3 года

Дата производства указана в серийном номере.

В случае обнаружения каких-либо неисправностей необходимо обратиться в авторизованный сервисный центр.

ШАҒЫН ПЕШ BR2601

Электрлік мини пешті көптеген тағамдарды дайындау үшін пайдалануға болады.

СИПАТТАМАСЫ

1. Желдеткіш саңылаулар
2. Мини пештің корпусы
3. Дисплей
4. Қуат сымын ұстаушы
5. Қуаттау бауы
6. Басқару панелі
7. Тірейтін аяқшалар
8. Істік жетегі
9. Конвекциялық желдеткіш
10. Шыны есік
11. Есіктің тұтқасы
12. Үгінділер науасы.
13. Төменгі қыздыру элементтері
14. Теріс тор
15. Нан пісіру/май тамшыларын жинау табасы
16. Тағамдарды пісіруге арналған тор
17. Торларды немесе қаңылтыр табаларды орнату орындары
18. Істік тірегі
19. Жоғарғы қыздыру элементтері
20. Істікті тірекке орнату орны (18)
21. Істік

22. Өнімдерге арналған бекіткіш (2 дана)
23. Өнімдерге арналған бекіткіш бұранда (2 дана)
24. Істікті жетекке орнату орны (8)
25. Істікті қармау орындары
26. Істік ұстағыштың сабы

Дисплей

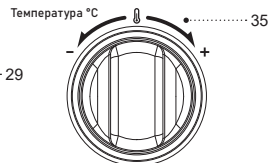
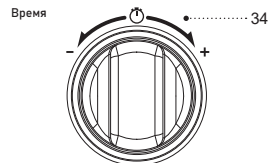
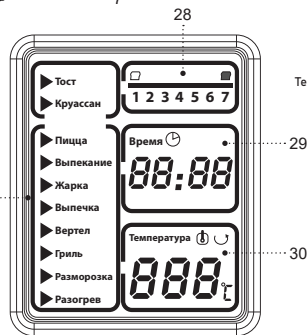
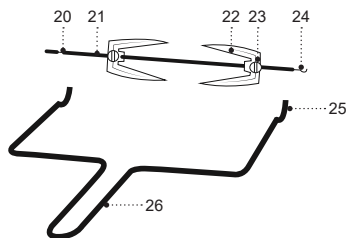
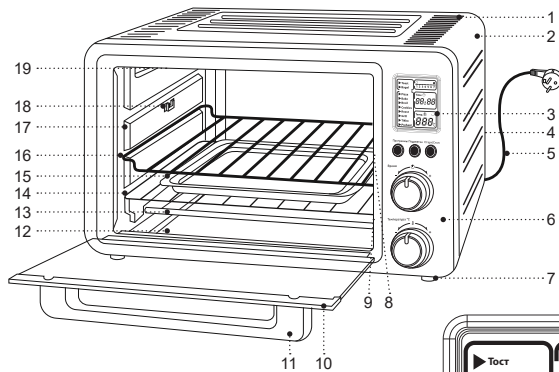
27. Пісіру бағдарламалары
28. Қосымша пісіру бағдарламалары
29. Жұмыс уақытының сандық белгілері
30. Температураның сандық белгілері

Басқару панелі

31. «БАҒДАРЛАМА» пісіру бағдарламасын таңдау батырмасы
32. «ЖАРЫҚТАНДЫРУ» жарығын қосу/өшіру батырмасы
33. «СТАРТ / СТОП» мини пешін қосу / өшіру батырмасы
34. «УАҚЫТ» мини пештің жұмыс уақытын орнатуға арналған тұтқа
35. «ТЕМПЕРАТУРА ° С» температурасын орнатуға арналған тұтқа

НАЗАР АУДАРЫҢЫЗ!

Қосымша қорғаныс үшін қуаттандыру тізбегінде номиналды іске қосылу тогы 30 мА аспайтын қорғаныс сөндіру құрылғысын (ҚАҚ) орнатқан дұрыс, ҚАҚ-ты орнату үшін маманға хабарла-сыңыз.



ҚАУІПСІЗДІК ШАРАЛАРЫ ЖӘНЕ ПАЙДАЛАНУ БОЙЫНША НҰСҚАУЛЫҚТАР

Мини-печьді пайдалану алдында пайдалану жөніндегі нұсқаулықты мұқият оқып шығыңыз, оқыған соң, болашақта пайдалану үшін сақтап қойыңыз.

- Мини-печьді осы нұсқаулықта баяндалғандай, тікелей мақсаты бойынша ғана пайдаланыңыз.
- Мини-печьді дұрыс қолданбау оның бұзылуына, және пайдаланушыға немесе оның мүлкіне зиян келтіруге әкеп соғуы мүмкін және кепілдік жағдайы болып табылмайды.
- Заттаңбада көрсетілген құрылғының жұмыс кернеуі, электр желісінің кернеуіне сәйкес екеніне көз жеткізіңіз.
- Қуаттандыру бауының ашасын жерге қосудың сенімді байланысы бар электр розеткасына салыңыз.
- Құрылғыны сыртқы таймерлерге немесе қашықтықтан басқарылатын электр розеткаларға қосуға тыйым салынады.
- Өрт шығу қауіпін болдырмау үшін, мини-печьді электр розеткасына қосар алдында «жалғасты-рғыштарды» пайдалануға тыйым салынады.
- Мини-печьді желі розеткасына кіру әрқашан бос болатындай етіп тегіс, құрғақ, орнықты, термо төзімді бетке орнатыңыз және пайдаланыңыз.
- Құрылғыны үй-жайдан тыс жерде пайдалануға тыйым салынады.
- Найзағай кезінде құрылғыны пайдалану ұсынылмайды.
- Мини-печьді соққыдан, құлаудан, дірілден және басқа да механикалық әсерлерден сақтаңыз.
- Желіге қосылған құрылғыны, қараусыз қалдырмаңыз.
- Құрылғыны жылу көздерінің, жылыту аспаптарының немесе ашық оттың тікелей жанында пайдаланбаңыз.
- Мини-печьді аэрозольдар пайдаланылатын немесе шашырайтын жерлерде, сондай-ақ тез тұтанатын сұйықтықтарға жақын жерлерде пайдалануға тыйым салынады.
- Мини-печьді ас үй раковинасына жақын, жуынатын бөлмеде, бассейндер немесе басқа да су толтырылған сыйымдылықтарға жақын жерде пайдаланбаңыз.
- Мини-печь суға құлап кеткен жағдайда, дереу желі бауының ашасын электр розеткасынан сурыңыз, содан кейін ғана құрылғыны судан алып шығуға болады. Құралды тексерту немесе жөндеу үшін рұқсаты бар сервис орталығына хабарласыңыз.
- Қуаттандыру бауының ыстық беттерге және жиһаздың өткір жиектеріне тиюін болдырмаңыз.
- Шағын пешті қандай да бір бөтен заттарды, оңай тұтынатын заттарды, қағаздарды немесе азықтарды сақтау үшін қолдануға тыйым салынады.
- Азықтарды дайындау үшін торды немене қаңылтыр табаны пайдалану керек, тұмшاپешке арналған термотұрақты ыдыстарды пайдалануға жол беріледі.

- Шағын пеште азықтарды пластикалық немесе қағаз қаптамада қыздыруға тыйым салынады.

НАЗАР АУДАРЫҢЫЗ! Пайдалануға беру кезінде құралдың ішкі және сыртқы беттері қатты қыздырылады. Құралдың ыстық беттеріне қол тигізбеңіз, торды немесе қаңылтыр табаны шығарған кезде асуі орамалдарын пайдалану керек.

- Ыстық мини-печьді жылжытпаңыз, оның толық салқындауын күтіңіз.
- Құрылғыны желдетуі жақсы жерлерде пайдаланыңыз.
- Мини-печьдің жеткізу жиынтығына кіретін бөлшектерін ғана қолданыңыз.
- Егер мини-печьде өнімдер болмаса, құрылғыны қосуға тыйым салынады.
- Мұздатылған өнімдерді дайындау үшін мини-печь қолдануға тыйым салынады, өнімдерді дайындау алдында оларды жібітіңіз.
- Өнімдерді әзірлеп болғаннан кейін бірден шығарыңыз, өнімдер іске қосылған мини-печьде ұзақ қалған жағдайда өртенуі мүмкін.
- Айналымалы істік жұмыс істеген кезде мини пештің есігін ашуға және істікке жанасуға тыйым салынады.
- Құрылғыны пайдаланып болғаннан кейін немесе тазалау алдында міндетті түрде сөндіріңіз. Мини-печьді электр желісінен ажыратқан кезде тек желі бауының ашасынан ұстаңыз және оны электр розеткасынан абайлап шығарыңыз, желі бауынан тартпаңыз — бұл оның зақымдануына әкеліп, қысқа тұйықталуын тудыруы мүмкін.

- Құрылғы корпусын, желі бауын және желі бауының ашасын су қолмен ұстамаңыз.
- Балалардың қауіпсіздігі үшін қаптама ретінде пайдаланылатын полиэтилен пакеттерді қадағалаусыз қалдырмаңыз.

Назар аударыңыз! Балаларға полиэтилен пакеттерімен немесе қаптама үлдірімен ойнауға рұқсат етпеңіз. **Тұншығу қаупі!**

- Құрылғы балалардың пайдалануына арналмаған.
- Құрылғыны ойыншық ретінде пайдалануын болдырмау үшін, балаларды қадағалаңыз.
- Құрылғы жұмыс істеп тұрғанда балалар жұмыс бетіне, құрылғы корпусына, желі бауына немесе желі бауының ашасына жақындауына рұқсат бермеңіз.
- Егер жұмыс істеп тұрған құрылғының маңында балалар немесе мүмкіндіктері шектеулі адамдар болса, онда ерекше мұқият болыңыз.
- Жұмыс істеу уақытында және жұмыс циклдері арасындағы үзілістерде құрылғыны балалардың қолы жетпейтін жерде орналастырыңыз.
- Аспап дене, жүйке немесе сана мүмкіндіктері төмендетілген тұлғалардың (балаларды қоса) пайдалануына арналмаған, сондай-ақ егер олардың тәжірибесі немесе білімі болмаса, егер олар бақыланбаса немесе олардың қауіпсіздігі үшін жауап беретін тұлғамен аспапты пайдалану туралы нұсқаулықтар берілмесе.

- Желі бауының бүтіндігін мезгілімен тексеріп отырыңыз.
- Қуаттандыру бауы зақымданғанда қауіп тудырмау үшін оны дайындаушы, сервистік қызмет немесе баламалы білікті маман ауыстыруы тиіс.
- Құрылғыны өздігіңізден жөндеуге тыйым салынады. Құрылғыны өз бетіңізбен бөлшектемеңіз, кез-келген ақаулықтар пайда болған кезде, сондай-ақ құрылғы құлағаннан кейін оны электр желісінен ажыратыңыз және авторланған сервистік орталыққа жүгініңіз.
- Құрылғыны зақымдамау үшін, оны тек зауыт қаптамасында тасымалдаңыз.
- Құрылғыны салқын және құрғақ жерде, балалардың және мүмкіндігі шектеулі адамдардың қолы жетпейтін жерде сақтаңыз.

ҚҰРЫЛҒЫ ТЕК ТҰРМЫСТЫҚ ПАЙДАЛАНУҒА ҒАНА АРНАЛҒАН, ҚҰРЫЛҒЫНЫ КОММЕРЦИЈАЛЫҚ НЕМЕСЕ ЗЕРТХАНАЛЫҚ МАҚСАТТАРДА ПАЙДАЛАНУҒА ТЫЙЫМ САЛЫНАДЫ.

АЛҒАШ РЕТ ПАЙДАЛУ АЛДЫНДА

Құралды кері температурада тасымалдағаннан немесе сақтағаннан кейін оны қаптамадан шығарыңыз және пайдалану алдында 3 сағат күтіңіз.

- Құралды қаптамадан шығарыңыз және барлық қаптама материалдарын жойыңыз.
- Зауыт қаптамасын сақтаңыз.

- Қауіпсіздік шаралары мен пайдалану нұсқауларымен танысыңыз.
- Жинақталымын тексеріңіз.
- Құралды зақымдануына қатысты байқаңыз зақымдануы болған жағдайда оны желіге қоспаңыз.
- Құралдың көрсетілген қуаттандыру кернеуі параметрлері электр желісінің параметрлеріне сәйкес келетініне көз жеткізіңіз. Құрылғыны 60 Гц жиіліктегі электр желісінде пайдаланғанда, ешқандай қосымша әрекет қажет емес.
- Мини-печь корпусын (2) сәл дымқыл жұмсақ матамен сүртіп, содан кейін құрғатып сүртіңіз.
- Шағын пештің грилінің корпусының (5) бетін сәл дымқыл матамен сүртіңіз, содан кейін құрғатып сүртіңіз.
- Шағын пештің ішкі бетін сәл дымқыл жұмсақ матамен сүртіп, содан кейін құрғатып сүртіңіз.
- Торлар (14, 16), пісіру табасы (15), істік (21), азық-түлік бекіткіштері (22), істік ұстағышы, бейтарап жуғыш затпен жылы сумен жуып, шайыңыз және мұқият құрғатыңыз.

ШАҒЫН ПЕШТІ ОРНАТУ

- Шағын пешті желдетуі жақсы жерлерде пайдаланыңыз.
- Шағын пешті орнату үшін кішкентай балалардың қолы жетпейтін жерді таңдау керек.
- Шағын пешті ылғалдылығы жоғары немесе температурасы жоғары жерлерде, сонымен қатар оңай

- тұтынатын заттардың не сұйықтықтардың қасында пайдалануға және орнатуға болмайды.
- Шағын пешті тегіс, тұрақты және жылуға төзімді, шағын пештің өзінің және оның ішіндей дайындалатын азықтардың салмағына шыдайтын бетке орнатыңыз, электрлік розеткаға еркін қолжетімділікті қамтамасыз ету керек.
 - Пештің қабырғаларынан бастап артқы және бүйір қабырғаларына дейінгі қашықтық 10-20 см кем емес, ал пештің үстіндегі бос кеңістік кемінде 30-40 см құрайтындай етіп орналастыру керек.
 - Тірек аяқтарды (7) шағын пештің корпусының түбінен шешуге тыйым салынады.
 - Шағын пештің (1) корпусындағы (2) желдету тесіктерін жабуға тыйым салынады.

ШАҒЫН ПЕШТІ ҚОСУ ЖӨНІНДЕГІ КЕҢЕСТЕР

- Заттаңбада көрсетілген құралдың жұмыс көрнеуі электр желісінің кернеуіне сәйкес екеніне көз жеткізіңіз.
- Құралды сыртқы таймерлерге немесе дистанциондық басқаруы бар электрлік розеткаларға қосуға тыйым салынады.
- Өрт шығу қауіпін болдырмау үшін шағын пешті электр розеткасына қосар алдында «ауыстырғыштарды» пайдалануға тыйым салынады.
- Қуаттандыру бауының айырын жерге қосудың сенімді байланысы бар электр розеткасына салыңыз.

- Тұйықтандырудың байланысы бар қуаттандыру бауының айырын тұйықтандырудың байланысы жоқ электрлік розеткаға қосу электрлік ток соғуға әкелуі мүмкін.
- Егер сіз шағын пештің корпусы сенімді тұйықталғандығына күмән келтірсеңіз, онда білікті электрден кеңес алыңыз.
- Егер желілік ұзартқышты пайдалану керек болса, онда айырда және розеткада
- Тұйықтандырылған байланысы бар тек үш желілік ұзартқышты пайдалану керек.
- Шағын пештің қуаттандыру бауының сымдарыны қиысуын маркалау желілік ұзартқыштың бауындағы маркалаудан қысқа болуы мүмкін.
- Ұзарқыштың желілік бауы кішкентай балалар тартуы мүмкін үстелдің шеттерінен салбырамауы және ол бауды баспайтындай етіп төселуі керек.

БАСҚАРУ ПАНЕЛІ (6)

- Басқару панеліндегі (31, 32, 33) батырмаларды әр басу және тұтқаларды бұру (34, 35) (6) дыбыстық сигналмен бірге жүреді.
- Батырмалардың белсенділігі (31, 32, 33) тұрақты жарықтандыруды қосу арқылы расталады.
- «БАҒДАРЛАМА» батырмасы (31): - «БАҒДАРЛАМА» батырмасын (31) қайта-қайта басу арқылы сіз тағам дайындау бағдарламасын таңдай аласыз (кестені қараңыз).
- Батырма (32) «ЖАРЫҚТАНДЫРУ»: - мини пеште жарықты қосу үшін «ЖАРЫҚТАНДЫРУ» батырмасын

- (32) басыңыз, «ЖАРЫҚТАНДЫРУ» батырмасын (32) қайта басу арқылы жарық сөнеді.
- (33) «СТАРТ/СТОП» батырмасы, таңдалған дайындау бағдарламасын қосу үшін (33) «СТАРТ/СТОП» батырмасын басыңыз, мини пешті сөндіру үшін (33) «СТАРТ/СТОП» батырмасын қайта басыңыз.
 - «УАҚЫТ» тұтқасы (34), «УАҚЫТ» тұтқасын (34) сағат тіліне немесе сағат тіліне қарсы бұрау арқылы мини пештің жұмыс уақытын орнатуға болады, дисплейде (3) жұмыс уақыты сандық белгілермен (29) көрсетіледі. Жұмыс уақытын орнату қадамы 1 минут, максималды жұмыс уақыты 90 минут.
 - «ТЕМПЕРАТУРА °C» тұтқасы (35), «ТЕМПЕРАТУРА °C» тұтқасын сағат тіліне немесе сағат тіліне қарсы бұрау арқылы сіз пісіру температурасын орната аласыз, пісіру температурасы дисплейде (3) сандық белгілермен (30) көрсетіледі. Температураны орнату қадамы 5 °C, максималды температурасы 230 °C.

ДИСПЛЕЙ (3)

- Белгілері (27) бар дисплейде (3) таңдалған пісіру бағдарламасы көрсетіледі (кестені қараңыз).
- Сандық таңбалар (28) «1-7» «Toast» тосттарды мен «Bake» орамдарды дайындаудың қосымша бағдарламаларын көрсетеді (кестені қараңыз).
- Сандық белгілер (29) белгіленген пісіру уақытын көрсетеді.
- Сандық белгілер (30) белгіленген пісіру температурасын көрсетеді.

КЕРЕК-ЖАРАҚТАР

- Алынатын үгінді науасы (12) – құрғақ немесе сұйық қалдық өнімдерін жинауға арналған. Үгінді науасы ластанған кезде (12), оны алып тастаңыз және тазалаңыз.
- Нан пісіру торы (14) – оған пісіру өнімдерін салыңыз, торда (14) өнімдерді жылытуға болады.
- Нан пісіру табасы (15) – пісіру табасына (15) дайындау немесе пісіру өнімдерін салыңыз, пісіру табасы (15) сонымен қатар үгінділер жинауға, өнімдерден бөлінетін сұйықтықтар немесе шырындар жинау үшін қолданылады, оларды торларда (14, 16) дайындаған кезде, пісіру табасын (15) тордың астына (14 немесе 15) орнатыңыз. Егер пісіру табасы (15) қолданылмаған болса, оны мини пештен алуға болады.
- Тағамды қуыруға / гриль жасауға арналған тор (16) - тағамды пісіруге арналған «Bake» немесе «Grill» режиміне қойыңыз, қажет болса, торды (16) алып тастауға болады. Өрқашан тордың астына (16), пісіру табасын (15) орнатыңыз.
- Істік (21) - сіз істікті (21), мысалы, тауық, рулька немесе басқа да осыған ұқсас тағамдарды дайындауға пайдалана аласыз.
- Істік ұстағыш - істікті мини пештен шығару үшін ұстағышты пайдаланыңыз.

МИНИ ПЕШТІ БІРІНШІ РЕТ ҚОСУ

- Шағын пеште керек-жарақтар орнатылмағанына көз жеткізіңіз.

- Қуат сымының ашасын розеткаға қосыңыз, дыбыстық сигналдар шығады, барлық белгілер дисплейде (3) 2 секунд көрсетіледі, содан кейін «Wake» өнімдерін пісіруге арналған бағдарлама белгісі (27) пайда болады, сандық белгілер (29) бағдарламаның жұмыс уақытын «30:00» минутты, ал белгі (30) «180 ° C» пісіру температурасын көрсетеді. «Wake» бағдарламасындағы жұмыс уақыты мен пісіру температурасы әдепкі бойынша орнатылады.
- Мини пешті қосу үшін «СТАРТ / СТОП» батырмасын (33) басыңыз, мини-пеш қосылады, батырмалардың жарығы (31 және 33) үнемі жанып тұрады.
- Шамамен 10-15 минуттан кейін «СТАРТ / СТОП» батырмасын басу арқылы (33) мини пешті өшіріп, қуат сымын розеткадан суырыңыз.
- Есікті (10) ашып, мини пештің толық суығанын күтіңіз.

Ескертпе: құралды бірінші рет қосқан кезде қыздыру элементінен бөтен иісі және аздаған түтін шығуы мүмкін, бұл – қалыпты жағдай және кепілдік оқиғасы болып табылмайды.

ТАМАҚ ДАЙЫНДАУ

НАЗАР АУДАРЫҢЫЗ! Азықтардың жоғарғы қыздыру элементіне тимеуін қадағалаңыз, қыздыратын элементке дейінгі минималдық қашықтық 30 мм кем болмауы керек.

- Мини пештен тағам шығарғанда, күйіп қалудан сақ болыңыз, әрқашан жабдықталған керек-жарақтарды немесе пеш қолғаптарын қолданыңыз.
- Тұтқаны ұстап (11), есікті ашыңыз (10).
- Үгінді науасын орнатыңыз (12).
- Торлардың біреуін (14, 16) немесе пісіру табасын (15) орнатыңыз және оларға пісіргіңіз келетін өнімдерді салыңыз.
- Есікті жабыңыз (10).
- Қуат сымының ашасын розеткаға қосыңыз, дыбыстық сигналдар шығады, барлық белгілер дисплейде (3) 2 секунд көрсетіледі, содан кейін «Wake», өнімдерін пісіруге арналған бағдарлама белгісі (27) пайда болады, сандық белгілер (29) бағдарламаның жұмыс уақытын «30:00» минутты, ал белгі (30) «180 ° C» пісіру температурасын көрсетеді. «Wake» бағдарламасындағы жұмыс уақыты мен пісіру температурасы әдепкі бойынша орнатылады.
- «БАҒДАРЛАМА» батырмасын (31) қайта басу арқылы сіз тағам дайындау бағдарламасын таңдай аласыз (кестені қараңыз).
- «УАҚЫТ» тұтқасын (34) сағат тіліне немесе сағат тіліне қарсы бұрау арқылы мини пештің жұмыс уақытын орнатуға болады, жұмыс уақыты дисплейде (3) сандық белгілермен (29) көрсетіледі. Жұмыс уақытын орнату қадамы 1 минут, максималды жұмыс уақыты 90 минут.
- «ТЕМПЕРАТУРА ° C» тұтқасын (35) бұрау арқылы сағат тіліне немесе сағат тіліне қарсы бағытта

пісіру температурасын орнатуға болады, дисплейде (3) пісіру температурасы сандық белгілермен (30) көрсетіледі. Температураны орнату қадамы 5°C , максималды температурасы 230°C .

- Мини пешті қосу үшін «СТАРТ / СТОП» батырмасын (33) басыңыз, мини-пеш қосылады, батырмалардың жарығы (31 және 33) үнемі жанып тұрады.
- Мини пештегі жарығын қосу үшін «ЖАРЫҚТАНДЫРУ» батырмасын (32) басыңыз, «ЖАРЫҚТАНДЫРУ» батырмасын (32) қайта басу арқылы жарық сөнеді.
- Белгіленген уақыт өткеннен кейін дыбыстық сигнал шығады, мини пеш сөнеді, қуат сымын электр розеткасынан ажыратыңыз.
- Егер мини пешті өшіру қажет болса, «СТАРТ / СТОП» батырмасын басыңыз (33).

Ескертпе: әрқашан азық-түліктің дайындалуын қадағалаңыз, тағамды қатты қуырмаңыз, бұл олардың ертенуіне әкелуі мүмкін.

- Есікті (10) ашып, дайындалған тағамды жабдықталған аксессуарларды немесе пеш қолғаптарын қолданып абайлап алыңыз.
- Құралды суытып алыңыз және тазалаңыз.

ІСТІКТІ ПАЙДАЛАНУ

- Мұздатылған тауық еті немесе басқа тағам, істікке (21) пісірер алдында, оны толығымен жібіту керек, жақсылап шайып, артық ылғалды кетіру керек.
- Рецепт бойынша немесе өз талғамыңызға сәйкес өнімді дәмдеуіштермен ысқылап, өсімдік майымен

майлаңыз. Дәмдеуіштерді өсімдік майымен араластыру немесе пісіру соңында қосу ұсынылады.

- Тауықты істікке байлаңыз (21), өнімді істіктің ортасына қойыңыз (21), екі жағына бекіткіштерді орнатыңыз (22) және бұрандалармен бекітіңіз (23), оларды сағат тілімен бұраңыз. Өнімнің максималды салмағы 2 кг-нан аспауы керек.
- Тауықтың шығатын бөліктерінің күйіп қалуын болдырмау үшін қанаттары мен аяқтарын ыстыққа төзімді аспаздық баумен байлап қою ұсынылады, сонымен қатар шығатын бөліктерін алюминий фольгамен немесе тұздалмаған майдың жолақтарымен жабуға болады.
- Істік ұстағышының тұтқасынан ұстаңыз (26), істікті ұстап алу үшін орындар (25) (21), істікті ұстап алыңыз (21), орнату орнын (25) істікті (21) жетекке салыңыз (8), істіктің (21) сол жағын (20) тірекке орнатыңыз (18).
- Пісіру кезінде бөлінетін сұйықтықтар мен шырындарды жинау үшін табаның астына (21) пісіру парағын (15) орнатуды ұмытпаңыз. Пісіру парағына (15) су құюға болады, пісіру кезінде су буы етті нәзік етеді, бірақ егер сіз тауық етін қытырлақ етіп дайындағыңыз келсе, онда пісіру парағына су құймаңыз (15).
- Есікті жаппас бұрын (10), өніммен бірге істіктің дұрыс орналастырылғанына және жоғарғы қыздыру элементтерімен жанаспайтынына көз жеткізіңіз, Қыздыру элементіне дейінгі ең аз қашықтық 30 мм болуы керек.

- Қуат сымының ашасын розеткаға қосыңыз, дыбыстық сигналдар шығады, барлық белгілер дисплейде (3) 2 секунд көрсетіледі, содан кейін «Wake», өнімдерін пісіруге арналған бағдарлама белгісі (27) пайда болады, сандық белгілер (29) бағдарламаның жұмыс уақытын «30:00» минутты, ал белгі (30) «180 ° C» пісіру температурасын көрсетеді. «Wake» бағдарламасындағы жұмыс уақыты мен пісіру температурасы әдепкі бойынша орнатылады.
- «БАҒДАРЛАМА» түймесін (31) қайта басу арқылы «Істік - Roast» пісіру бағдарламасын таңдаңыз (кестені қараңыз).
- Мини пешті қосу үшін «СТАРТ / СТОП» батырмасын (33) басыңыз, мини-пеш қосылады, батырмалардың жарығы (31 және 33) үнемі жанып тұрады.
- Мини пештегі жарығын қосу үшін «ЖАРЫҚТАНДЫРУ» батырмасын (32) басыңыз, «ЖАРЫҚТАНДЫРУ» батырмасын (32) қайта басу арқылы жарық сөнеді.
- Белгіленген уақыт өткеннен кейін дыбыстық сигнал шығады, мини пеш сөнеді, қуат сымын электр розеткасынан ажыратыңыз.
- Әрқашан өнімнің дайындығын тексеріп отырыңыз; өнімді тескен кезде қанның іздері жоқ мөлдір ет шырыны шығуы керек.
- «Істік - Roast» тағам дайындау бағдарламасының режимдерін өзгертуге болады (кестені қараңыз):
 - «УАҚЫТ» тұтқасын (34) сағат тіліне немесе сағат тіліне қарсы бұрау арқылы шағын пештің жұмыс уақытын орнатуға болады, жұмыс уақыты дисплейде (3) цифрлық белгілермен (29) көрсетіледі. Жұмыс уақытын белгілеу қадамы - 1 минут, максималды жұмыс уақыты - 90 минут;
 - «ТЕМПЕРАТУРА ° C» тұтқасын (35) сағат тілімен немесе сағат тіліне қарсы бұрау арқылы сіз пісіру температурасын орната аласыз, дисплейде (3) пісіру температурасы сандық белгілермен (30) көрсетіледі. Температураны орнату қадамы 5 ° C, максималды температурасы 230 ° C.
- Егер мини пешті өшіру қажет болса, «СТАРТ / СТОП» батырмасын басыңыз (33).
- Істікті (21) дайын өніммен алып тастау үшін, істіктің ұстағышын (26) ұстаңыз, (25) жерлерде істікті (21) ұстаңыз, істікті (21) алыңыз, сол жағын көтеріңіз (20) істіктің (21) тіреуіштен (18) шығарып, істікті (21) жетектен (8) алып тастаңыз.
- Дайын өнімі бар істікті (21) ыстыққа төзімді кесу тақтасына немесе табаққа салыңыз, бекіту бұрандаларын (23) сағат тіліне қарсы бұраңыз, бекіткіштердің бекітілуін босатыңыз (22) және оларды істіктен алыңыз (21), дайын өнімнен істікті алыңыз (21).

Өнімді дайындау/өнімді дайындау режимдерін орнату бағдарламаларының кестесі:

Бағдарламалар	Қосымша бағдарламалар	Қыздыру элементін немесе электр қозғалтқышын қосу	Өдепкі бағдарлама параметрлері		Жарығын қосу батырмасы	Түйме Старт/ Стоп	РТемпература орнату тұтқасы	Уақытты орнату тұтқасы
			Уақыты	Температура			Бағдарламаны таңдағанда, пісіру температурасын орнатуға болады	Бағдарламаны таңдағанда, пісіру уақытын орнатуға болады
Тост	1	Жоғары + төменгі жағы	3:00	/	Кез келген уақытта қолданыңыз	Кез келген уақытта қолданыңыз	Без регулировки	Выберите дополнительную программу «1-7»
	2		6:00					
	3		9:00					
	4		11:00					
	5		13:00					
	6		15:00					
	7		18:00					
Круассан	1	Жоғары + төменгі жағы	5:00				Без регулировки	Выберите дополнительную программу «1-7»
	2		7:00					
	3		9:00					
	4		12:00					
	5		14:00					
	6		16:00					
	7		18:00					
Пицца	/	Жоғары + төменгі жағы	15 мин	200 °C			175-230 °C	1-60 мин

Пісіру	/	Жоғары + төменгі жағы	30 мин	180 °C	Кез келген уақытта қолданыңыз	Кез келген уақытта қолданыңыз	1-60 мин
Қуыру	/	Жоғары	45 мин	190 °C			1-90 мин
Нан өнімдері	/	Жоғары + төменгі жағы	20 мин	150 °C			1-60 мин
Істік	/	Жоғарғы + әл.қозғалтқышы	60 мин	190 °C			1-90 мин
Гриль	/	Төмен	50 мин	180 °C			1-90 мин
Жібіту	/	Жоғары + төменгі жағы	30 мин	180 °C			1-60 мин
Жылыту	/	Жоғары + төменгі жағы	10 мин	180 °C			1-15 мин

ТАЗАЛАУ ЖӘНЕ КҮТІМІ

- Шағын пешті тазалаудың алдында оны өшіріңіз және қуаттандыру бауының айырын электр розеткасынан шығарып алыңыз.
- Шағын пешті, қуаттандыру бауын және қуаттандыру бауының айырын суға немесе кез-келген басқа сұйықтықтарға салуға тыйым салынады.
- Шағын пештің корпусының (2) бетін сәл дымқыл матамен сүртіңіз, содан кейін құрғатып сүртіңіз. Желдету саңылауларын (1) әрдайым таза ұстаңыз.
- Егер құралдың ішкі беттерінде азықтардың қалдықтары қалса, онда оларды ылғалды орамалмен немесе матамен сүртіңіз, артынан құрғатып сүртіңіз.
- Шағын пештің ішкі қабырғаларындағы қатты ластанған жерлерді аздаған мөлшерлегі бейтарап жуатын құралдың көмегімен кетіруге болады.
- Торлар (14, 16), пісіру табасы (15), істік (21), азық-түлік бекіткіштері (22), істік ұстағышы, бейтарап жуғыш затпен жылы сумен жуып, шайыңыз және мұқият құрғатыңыз.

- Шағын пештің есігін (10) үнемі таза ұстаңыз, шағын пештің есігі (10) мен беткі панелінің арасында азықтардың қоқымдары мен қалдықтарының жиналуына жол бермеңіз. Есіктің (10) әйнегінде сызат пайда болуына жол бермеңіз, кері жағдайда есіктің (10) әйнектері жарылып кетуі мүмкін.
- Басқару панеліне (6) ылғалдың тиюіне жол бермеңіз.
- Шағын пештің сыртқы және ішкі беттерін тазалау үшін металл жөкені, абразивтік тазалайтын құралдарды немесе еріткіштерді пайдалануға болмайды.
- Шағын пештің түбінде қоқымдарға арналған түпқойманы жүйелі түрде тазалау керек (12).

САҚТАУ

- Шағын пешті сақтауға алып қоярдың алдында оны тазалап алыңыз.
- Қуат сымын ұстағышқа бекітіңіз (4).
- Шағын пешті салқын және құрғақ жерде, балалардың және мүмкіндігі шектеулі адамдардың қолы жетпейтін жерде сақтаңыз.

ЖИЫНАҚТАЛЫМЫ

1. Шағын пеш – 1 дана.
2. Тор – 2 дана.
3. Қаңылтыр таба – 1 дана.

4. Үгінділерге арналған науа – 1 дн.
5. Істік – 1 дн.
6. Азық-түлік бекіткіштері – 2 дн.
7. Істік ұстағышы – 1 дн.
8. Нұсқаулық – 1 дана.

ТЕХНИКАЛЫҚ СИПАТТАМАЛАРЫ

- Электрлік қуаттандыруы: 220-240 В, ~ 50-60 Гц
- Номиналдық тұтынатын қуаты: 1500 Вт
- Пештің көлемі: 25 л

ПАЙДАҒА АСЫРУ



Қалдықтардың бақыланбай пайдаға асыруынан қоршаған ортаға немесе адамдардың денсаулығына зиян келтірмеу үшін, құралдың немесе қуаттандыру элементтерінің (егер жинақталымға кірсе) қызмет ету мерзімі аяқталғаннан кейін оларды әдеттегі тұрмыстық қалдықтармен бірге тастамаңыз, аспапты және қуаттандыру элементтерін одан әрі пайдаға асыру үшін арнайы пункттерге жіберіңіз.

Бұйымдарды пайдаға асыру кезінде пайда болатын қалдықтар белгіленген тәртіп бойынша келесі пайдаға асырылатын тәртіппен міндетті түрде жинауға жатады.

Берілген өнімді пайдаға асыру туралы қосымша ақпаратты алу үшін жергілікті муниципалитетке,

тұрмыстық қалдықтарды пайдаға асыру қызметіне немесе берілген өнімді сатып алған дүкенге хабарласыңыз.

Өндіруші алдын-ала ескертусіз, құрылғының дизайнын, конструкциясы мен оның жалпы жұмыс ұстанымдарына әсер етпейтін техникалық сипаттамаларын өзгерту құқығын өзіне қалдырады.

Құрылғының қызмет көрсету мерзімі — 3 жыл

Өндірілген күні сериялық нөмірде көрсетілген.

Қандай да бір ақаулықтар табылған жағдайда дереу авторландырылған сервистік орталыққа жүгіну керек.

Hergestellt für «Ruste GmbH»,
Berggasse 18/18, 1090 Wien,
Österreich

Produced for «Ruste GmbH»,
Berggasse 18/18, 1090 Vienna, Austria

Изготовлено по заказу Русте Гмбх,
Бергассе 18/18, 1090 Вена, Австрия

Уполномоченное изготовителем
лицо: ООО «Грантэл»
143912, МО, г. Балашиха,
ш. Энтузиастов, вл. 1А
т.: +7 (495) 297-50-20,
e-mail: info@brayer.su

Made in China/Произведено в Китае

brayer.ru

