

The equipment is constructed in accordance with European Standards and the requirements included in the following Directives: 73/23 EEC (electric-low tension safety), 89/336 EEC (electromagnetic compatibility), 93/68 EEC (EC marking regulations).

ESSENTIAL SAFETY RULES

We remind that the use of products functioning with electrical energy implies the observance of some essential security rules, as follows:

- Children and not assisted disabled people are not admitted to use the cooker hood.
- Any cleaning action is forbidden if the appliance hasn't been disconnected from the main power supply and if the main switch of the house electrical system is not off. The exterior of the cooker hood must be cleaned using a soft, damp and neutral detergent. Do not use solvents, petrol-based or abrasive substances.
- Do not pull, take off or twist the cable coming out from the appliance, even though this has been disconnected from the main power supply.
- Do not sprinkle or throw any water directly on the appliance.
- Do not stick any sharp tool inside the exhausting holes and into the air discharge.
- Do not take out the filters in order to reach the internal sides of the appliance in case the main switch of the house electrical system is not off.
- Do not singe or flambé directly underneath the cooker hood. Take particular care when frying to ensure that the oil does not catch fire.

GENERAL WARNINGS

- Read all the instructions thoroughly before installing and/or using the cooker hood.
- The present instruction manual is an integral part of the appliance itself, therefore it must be carefully kept and always accompany it, even in case of its assignment to another owner or user or in case the cooker hood is moved to another installation plant.
- The installation of the cooker hood must be carried out by competent and qualified technician, in accordance with the current regulations.
- Any eventual adjustment to the electrical system, which may be necessary to install the cooker hood, must be carried out only by competent people. Any repair carried out by non competent people may cause damages. For any repair or needed technical action make reference to a Technical Assistance Center, which is authorized to carry out the replacement of the spare parts.
- Always make sure that all the electrical parts (lights, exhaustion unit) are disconnected when the appliance is not in use.
- By storms take off the main switch of the house electrical system.
- The using of the cooker hood must not be other than the use of exhausting units for cooking damp on domestic kitchens. The manufacturer does not accept any liability for damages caused by people, animals or things, by installation and maintenance mistakes or by any illegitimate use.
- Make sure that the voltage (V) and the frequency (Hz) ratings indicated on the plate inside the cooker hood correspond to the ones available in the installation place.

INSTALLATION

The equipment, once installed (Fig. 1) should be at a distance of not less than 65 cm. from the cooking top. It must not be mounted above cookers fitted with top radiant plate. The contaminated air must be discharged in a manner complying with current regulations.

The following fasteners are available for the installation :

- Blocking dowels (Fig. 1-A)
- Suspending and levelling dowels (Fig. 1-B)
- Brackets and screws for fixing the chimney to the wall (Fig. 1-C)

ELECTRICAL CONNECTIONS

This equipment must be connected to a plant featuring a grounding.

Two types of electrical connection can be used:

- Using a standard plug connected to the power cable and inserted in a mains socket which must be accessible at all times (so that the plug can be disconnected when servicing is carried out).
- By means of a fixed mains connection, fitting a bipolar switch with contact openings of at least 3 mm. The ground connection (yellow-green wire) must not be interrupted. Refer to the plate inside hood for the mains voltage and frequency ratings.

COOKERHOOD IN EXHAUSTING VERSION (external discharge) (Fig. 2)

Activated charcoal filters are not to be put in the exhausting version.

Kitchen smokes are discharged externally by means of a flue with a diameter of 150 mm. joined to the discharge connector of the cookerhood. The flue should communicate with the outside of the house.

This pipe must not under any circumstances be connected to cooker, boiler or burner exhaust pipes, etc.

If the hood is operated in suction function whilst stoves, gas cookers, fuel-fed boilers, etc. are being used, ventilation from outdoors must be provided.

COOKERHOOD IN FILTERING VERSION (internal recycle) (Fig. 3)

Smokes go through the activated charcoal filters to be deputed and recycled in the kitchen environment by means of the holes on the cookerhood chimney (Fig. 4). These holes must be free and communicating with the kitchen environment.

You have then to install the two activated charcoal filters at the ends of the internal aspirator. When installing the activated charcoal filters, you have first of all to take off the anti-grease metallic filters (Fig. 5) and successively installing the activated charcoal filters by turning them in anticlockwise direction (Fig. 6).

In this case the discharge flue must not be installed.

OPERATION

The hood is supplied with a multi speed motor. The hood should be run at low speed under normal conditions and at higher speeds only when there is a heavy build-up of fumes or odours. Ideally, the hood should be switched on when starting cooking and kept on until all odours have been eliminated. The controls are provided with buttons for switching on the light TL, for switching on the motor and selecting the operating speed T1-T2-T3-T4 and for switching on the infrared light (version indicated in Fig. 1) T5, or for switching on the two infrared lights (version indicated in Fig. 2) T5 for the right light and T6 for the left light.

By the first pressure of the command T1 the motor starts running at the 1st speed; by the second pressure the motor gets off at any planned speed. The commands T2-T3-T4 switch the motor respectively at the 2nd, 3rd and 4th speed. Press T1 for switching it off. The luminous led L1, L2, L3, L4 mean the planned speed. RT is the remote control's receiver.

SELF SWITCHING OFF : Turn on the cooker hood in order to activate the self-switching off, then keep pressed the button "T1" for a few seconds, until all the led start blinking. Pressing one of the buttons (T1, T2, T3, T4) it is possible to program the self-switching off time, which is different according to the pressed button (T1= 5 minutes, T2=10 minutes, T3=15 minutes, T4=20 minutes). When the option of the self switching off time corresponds to the speed previously programmed the speed led blinks; when the option is different the speed led is fixed.

FILTER TIMER : After the cooker hood has worked for 30 hours, once it is turned off, all the led switch on with a fixed light for 30 seconds in order to advise that the aluminium filters need to be cleaned. When the motor is off, button "T4", if pressed for some seconds, will reset the timer. In case this button is not pressed, the same operation will occur again after the cooker hood has been switched off. This operation will occur every 30 hours, till achievement of 120 hour functioning. Once the cooker hood has worked for 120 hours and it is turned off, all the led switch on with a blinking light for the following 30 seconds to remind the cleaning of the aluminium filters and the replacement of the active charcoal filters, in case the cooker hood is in thr filtering version. Once the timer has been reset (always through a long pressure of the button "T4") all the same process will occur after the next 30 hour exhausting.

MAINTENANCE AND WARNINGS

Always disconnect the hood from the mains before carrying out any maintenance or cleaning operation.

ANTI-GREASE METALLIC FILTERS need specific care, as a matter of fact their function is to hold the grease particles contained in the fumes. The metallic fat-retaining filter must be washed at least once a month with detergent in hot water (or in the dish-washer).

When taking off the anti-grease metallic filters you should follow instructions in (Fig. 5). We would advise to install once again the anti-grease metallic filters only when they are perfectly dry.

ATTENTION: the grease collected in the filter can easily catch fire and it is therefore extremely important to clean the metallic filter on a regular basis as per instructions.

The **ACTIVATED CARBON FILTER** is designed to collect unpleasant odours in the cooking fumes.

The purified air is then released into the room. The carbon filter must not be washed, but both replaced 2 or 3 times a year, depending on how much the hood is used. New filters can be obtained from our Customer Service Centres or directly from the manufacturer.

When replacing the activated charcoal filters, you should first take off the anti-grease metallic filters (Fig. 5). At this moment you can take off the activated charcoal filters placed at the ends of the aspirator. Turn the filters in clockwise direction until they got unfastened from the aspirator (Fig. 6).

In order to install again the new activated charcoal filters, you should reverse the operations.

When replacing the lamp of the **HALOGEN SPOTLIGHTS** (Fig. 7) you should first of all take off the supporting ring of the glass (Fig. 7 - A), levering by means of a screwdriver.

Then you should take off the protecting glass (Fig. 7 - B) to reach the lamp. Replace the lamp only with an analogous one (halogen max. 20 W, 12 Volts). Complete the operation by fixing the protecting glass by means of the provided supporting ring.

The exterior of the hood is **CLEANED** using a soft, damp cloth and neutral detergent. Do not use solvents, petrol-based or abrasive substances.

Never singe or flambé directly underneath the hood. Take particular care when frying to ensure that the oil does not catch fire

THE MANUFACTURER DOES NOT ACCEPT LIABILITY FOR ANY DAMAGE OR INJURY CAUSED IF THE USER FAILS TO FOLLOW THE ABOVE INSTRUCTIONS REGARDING INSTALLATION, MAINTENANCE AND THE PROPER USE OF THE COOKER HOOD.

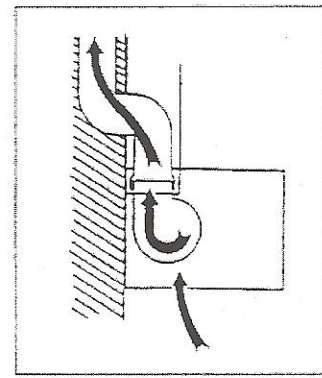
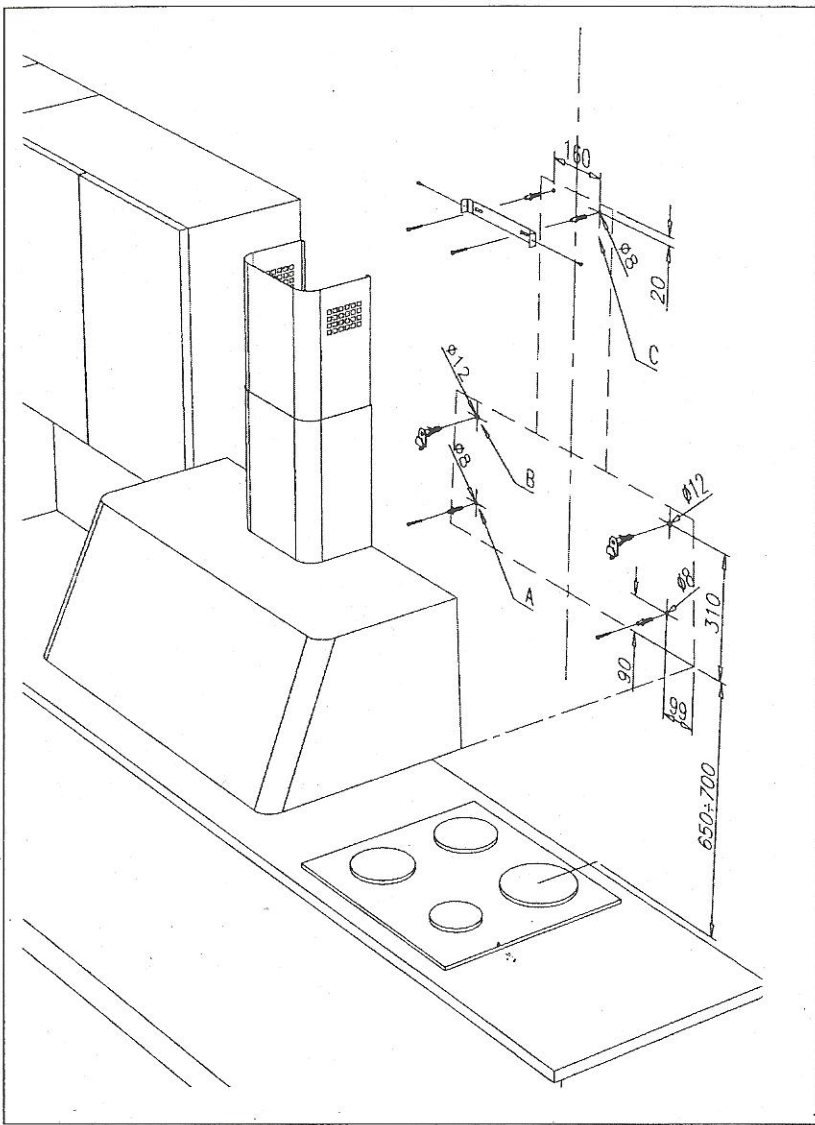


FIG. 2

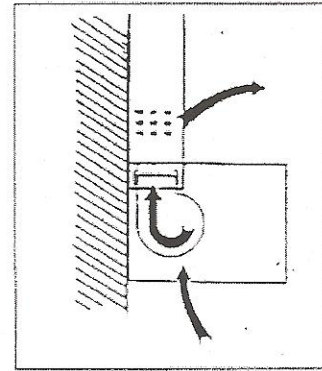


FIG. 3

Fig. 1

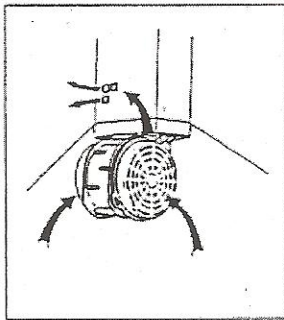


FIG. 4

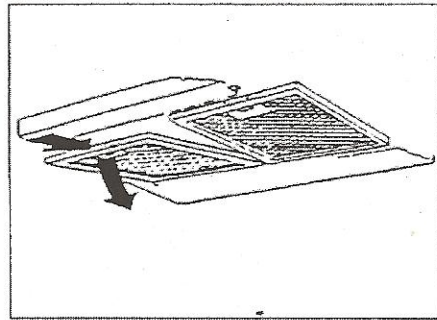


FIG. 5

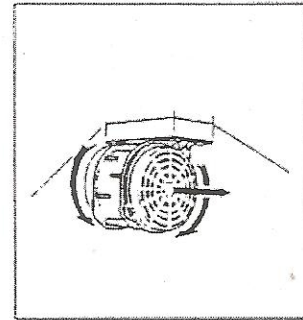


FIG. 6

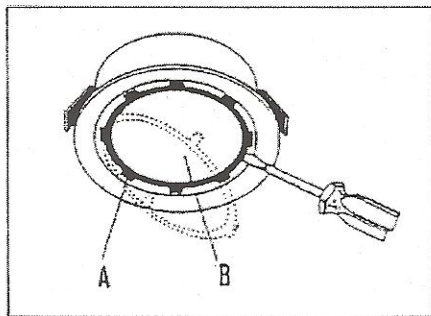


FIG. 7

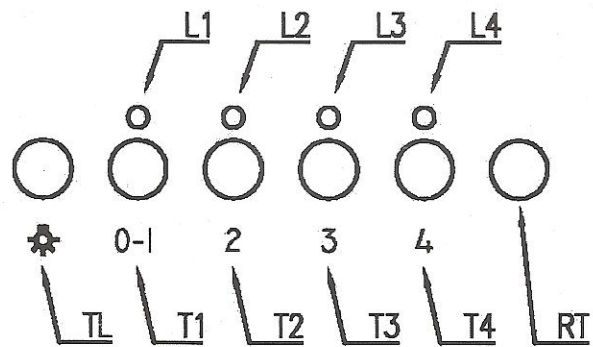


FIG. 8